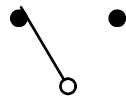
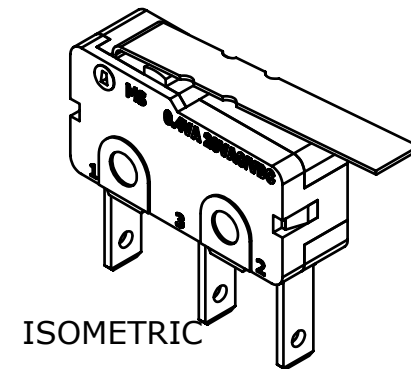
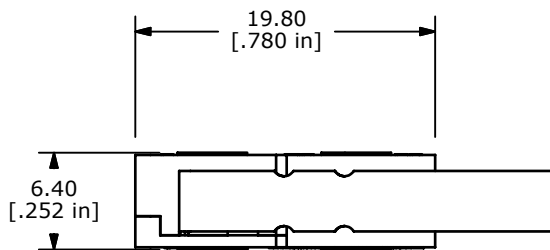


O.P. (MM)	P.T. (MM)
9.5 ±0.3	2.6 MAX

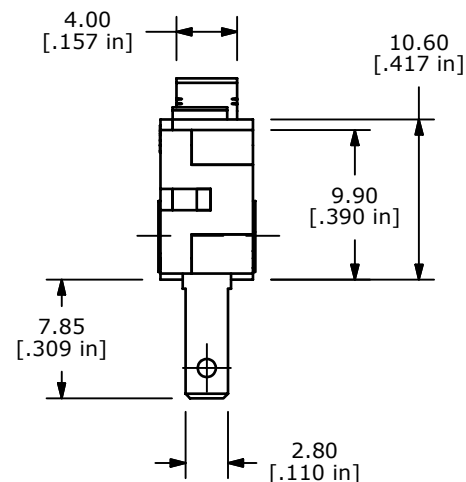
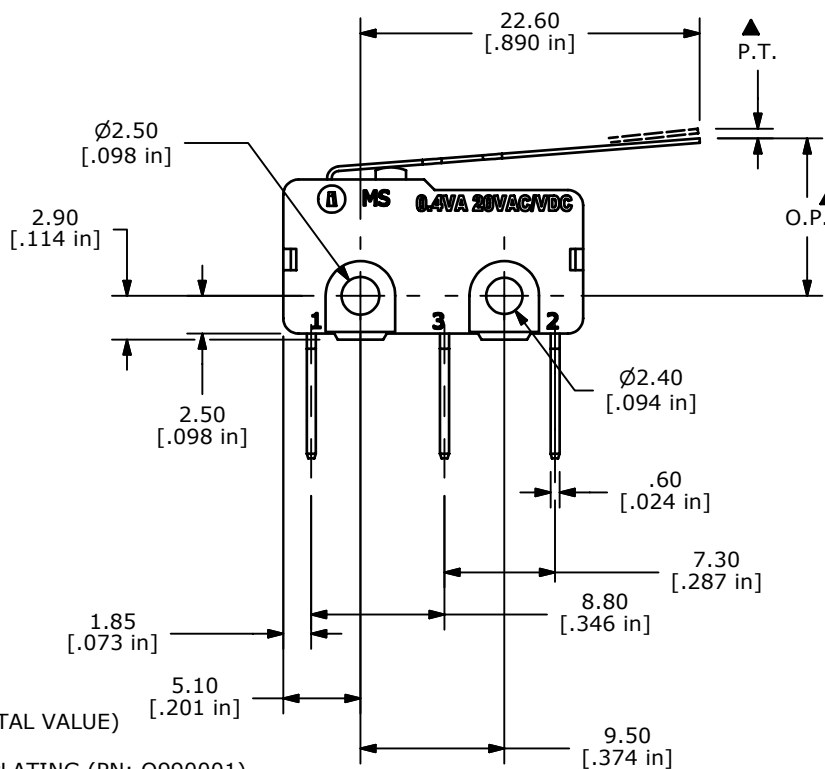
O.P. = OPERATING POINT
P.T. = PRE-TRAVEL



CIRCUIT: SPDT



ISOMETRIC



NOTES:

1. ALL DIMENSIONS IN MM [INCH]
2. GENERAL TOLERANCE: X.X=±0.4
X.XX=±0.25
3. RATING: 0.4VA @20V (AC or DC)
- ▲4. OPERATING FORCE: 55 ± 25 GRAMS
5. OPERATING TEMP: -25°C TO 85°C
6. ELECTRICAL LIFE: 50,000 CYCLES MIN.
7. MECHANICAL LIFE: 1,000,000 CYCLES TYP.
8. INSULATION RESISTANCE: 100 MEGA-OHMS
9. DIELECTRIC STRENGTH: 1000VAC 1 MINUTE (INITIAL VALUE)
10. CONTACT RESISTANCE: 100 MILLI-OHMS MAX.
- ▲11. CONTACTS: 10 MICRO INCHES MINIMUM GOLD PLATING (PN: Q990001)
12. ▲ DENOTES CRITICAL PARAMETER.
13. 2002/95/EC (ROHS) COMPLIANT



A	18060	RELEASED FOR PRODUCTION	4/16/08	BLR
REV	PCR NO	DESCRIPTION	DATE	BY

TITLE MS085R103F055C1A				
SCALE	DATE	DR	DWG	REV
2:1	4/16/2008	BLR	Q970091	A

THE INFORMATION CONTAINED IN THIS DOCUMENT IS PROPRIETARY TO E-SWITCH AND IS NOT TO BE COPIED OR TRANSFERRED