

# V-Charger

## V-SERIES DUAL PORT USB 2.0 CHARGERS

Carling Technologies USB V-Charger is designed to charge tablets, e-readers, mobile and gaming devices, digital cameras, as well as other compatible electronic devices.

Providing a total current of 3.15 amps, the V-Charger delivers fast charging times even in extreme temperatures from -40°C to +80°C. This innovative product safeguards its electronics with integrated over-current and thermal overload protection, as well as optional load dump circuitry, assuring prolonged safe and reliable operation. The center LED indicates charging is in progress. Snap-in mounting for an industry standard 1.450" x .830" panel cutout makes installation easy.

\*Additionally, the V-Charger's double torsion spring-loaded access doors automatically close and provide effortless IP64 sealing protection with precision-fit silicone rubber seals.



### Resources:

[Download 3D CAD Files](#)

[IGS >](#) [STP >](#)

[Watch Product Video](#)



### Product Highlights:

- ♦ Dual USB Charging Ports
- ♦ 3.15 Amps for Faster Charging
- ♦ 10,000 Operating Cycles per Port
- ♦ IP64 Sealing Protection
- ♦ 12-24 V Operating Voltage
- ♦ Protection for Internal Components

### Typical Applications:

- ♦ On/Off-Highway Equipment
- ♦ Golf Carts
- ♦ Lawn & Garden Equipment
- ♦ Marine
- ♦ Military



**Carling Technologies®**

Innovative Designs. Powerful Solutions.

**Carling Technologies, Inc.**

60 Johnson Avenue, Plainville, CT 06062

Email: [sales@carlingtech.com](mailto:sales@carlingtech.com)

Application Support: [team2@carlingtech.com](mailto:team2@carlingtech.com)

Phone: 860.793.9281 Fax: 860.793.9231

[www.carlingtech.com](http://www.carlingtech.com)

# V-Charger

## DESIGN FEATURES

### DUAL USB 2.0 PORTS

Total current of 3.15 amps, facilitating faster charges

### SPRING LOADED DOORS

Stylish, wing-shaped double doors automatically close to cover and seal each port when not in use

### LED

Green LED brightens to indicate charging is in progress



### SEALING PROTECTION

Silicone rubber seal perfectly mates with door indent to provide IP64 level of sealing protection

### PANEL SEAL

Prevents water ingress beneath panel to protect critical connections

### MOUNTING

Fits industry standard panel opening size of 1.450" x .830"

\*Manufacturer reserves the right to change product specification without prior notice.

**Electrical**

USB Type	2.0
Number of USB Ports	2
Operating Voltage	12V/24V DC power systems (9 to 29 VDC)
Output Voltage	5 VDC $\pm$ 5%
Max Output Current	3.15A DC Total
Current Draw (No Load)	12V: 0.8 mA, 24V: 1.9 mA
LED Indicator	Green LED brightens when charging is in progress.
Compatibility	Charges mobile devices including iPad, iPhone, iPod, HTC, Galaxy, Blackberry, MP3 Players, Digital Cameras and PDA's
Life	10,000 operating cycles per port minimum
Terminals	Copper/silver plating 1/4" (6.3 mm) Quick Connect terminations
Reverse Polarity	Operational with correct polarity after reverse polarity exposure
ESD	15kV air, 8 kV touch
Overcurrent Protection	Short Circuit
Thermal Overload Protection	Operation will cease if internal temperature reaches 125°C. Charging will resume after sufficient heat loss

**Physical**

Panel Opening	1.450" x .830"
Panel Thickness	.030 - .156 inches
Panel Mounting Method	Front Panel Insertion
Seals	Silicone and Poron
Depth Behind Panel	See Figures 1 and 2
Connection	VC1, VC2
Weight	55g (0.12 lbs)
Styling	Curved USB port doors
Port Protection	Twin, self-closing doors

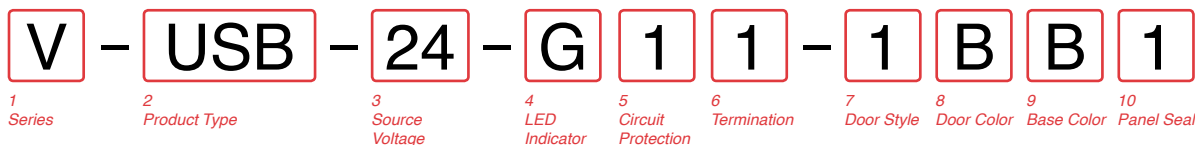
**Environmental**

Sealing	IP64 for front panel components when USB Ports are covered
Operating Temperature	-40° to +60°C at 3.15A -40° to +70°C at 2.4A -40° to +80°C at 2.1A
Vibration 1 Test	Mil-Std 202G, Method 204D, Condition A. 0.06DA or 10G, 10-500 Hz
Shock Test	Mil-Std 202G, Method 213B, Condition K @ 30-G. No loss of circuit during test.
Chemical Splash	Brush method with USB doors closed: diesel, gasoline, brake fluid, Windex, Armor All
Thermal Shock	MIL-Std 202F, Method 107D, Test Condition A, -55° to +85°C. Test Criteria: Remains functional without damage
Moisture Resistance	Mil-Std 202G, Method 106G. Test Criteria: Remains functional without damage
Thermal Cycling	25 Cycles -40° to +85°C, 2 hours for each temperature every cycle
Salt Spray	Mil-Std 202G, Method 101E, Test Condition A
Dust	Mil-Std 841C Method 510.2 Air Velocity 300 $\pm$ 200 Ft/min, test duration: 16 Hr

**Mechanical**

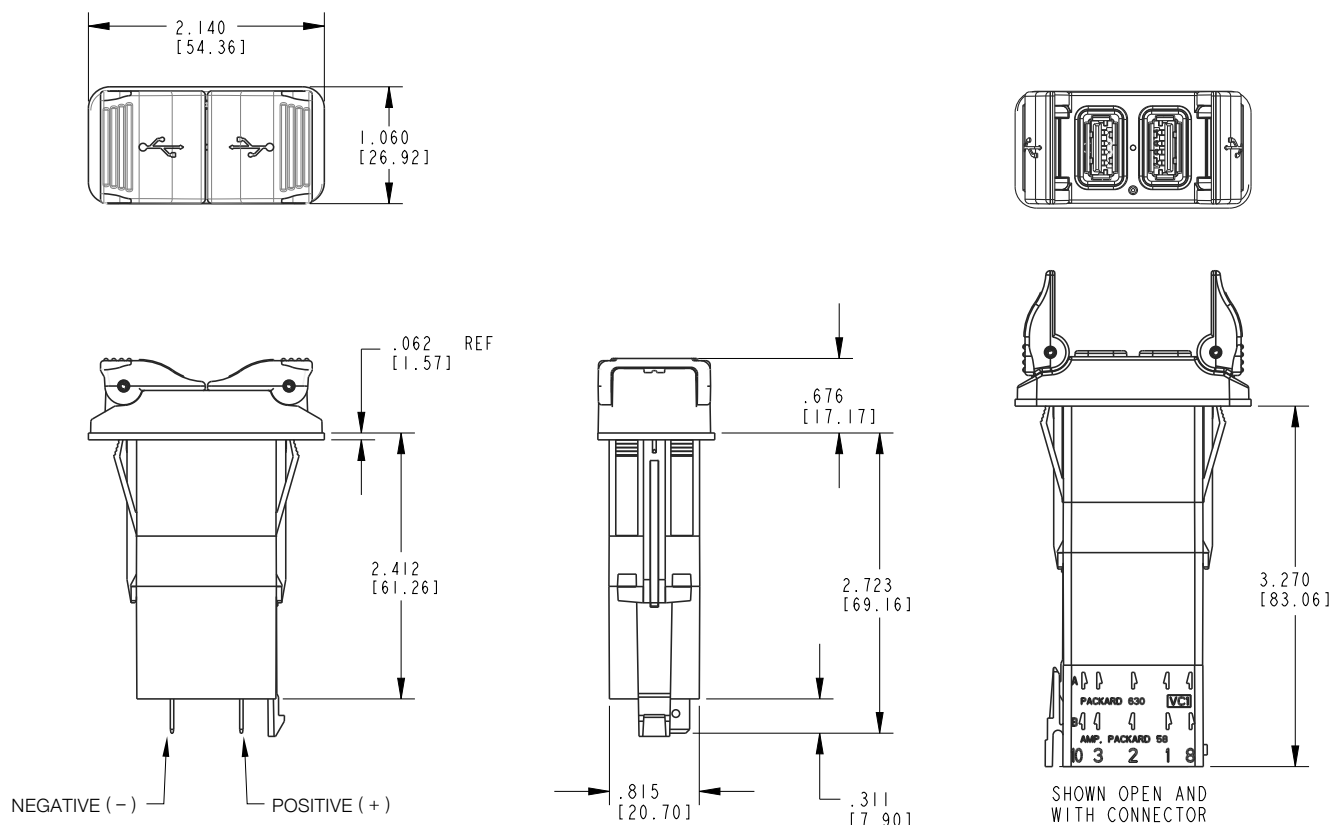
Endurance	10,000 door cycles minimum
-----------	----------------------------

### Ordering Scheme



<b>1 SERIES</b> <b>V</b>	<b>6 TERMINATION</b> <b>1</b> .250 Tab
<b>2 PRODUCT TYPE</b> <b>USB</b> Charger	<b>7 DOOR STYLE</b> <b>1</b> Curved
<b>3 SOURCE VOLTAGE</b> <b>24</b> 24 / 12 Volts DC	<b>8 DOOR COLOR</b> <b>B</b> Black
<b>4 LED INDICATOR (VOLTAGE MATCHES SOURCE)</b> <b>G</b> Green	<b>9 FRAME COLOR</b> <b>B</b> Black
<b>5 CIRCUIT PROTECTION</b> <b>1</b> Reverse Polarity, Thermal Overload & Overcurrent	<b>10 PANEL SEAL</b> <b>1</b> Yes

### Dimensional Specifications: in. [mm]



**Notes:**

1 Charger to install into 1.450" X 0.830" panel opening

## Authorized Sales Representatives and Distributors

Click on a region of the map below to find your local representatives and distributors or visit [www.carlingtech.com/findarep](http://www.carlingtech.com/findarep).



## About Carling

Founded in 1920, Carling Technologies is a leading manufacturer of electrical and electronic switches and assemblies, circuit breakers, electronic controls, power distribution units, and multiplexed power distribution systems. With four ISO registered manufacturing facilities and technical sales offices worldwide, Carling Technologies Sales, Service and Engineering teams do much more than manufacture electrical components, they engineer powerful solutions! To learn more about Carling please visit [www.carlingtech.com/company-profile](http://www.carlingtech.com/company-profile).

To view all of Carling's environmental, quality, health & safety certifications please visit [www.carlingtech.com/environmental-certifications](http://www.carlingtech.com/environmental-certifications)

## **Worldwide Headquarters**

Carling Technologies, Inc.  
60 Johnson Avenue, Plainville, CT 06062  
**Phone:** 860.793.9281 **Fax:** 860.793.9231  
**Email:** sales@carlingtech.com

**Northern Region Sales Office:** nrsm@carlingtech.com  
**Southeast Region Sales Office:** sersm@carlingtech.com  
**Midwest Region Sales Office:** mrrsm@carlingtech.com  
**West Region Sales Office:** wrsm@carlingtech.com  
**Latin America Sales Office:** larsm@carlingtech.com

## **Asia-Pacific Headquarters**

Carling Technologies, Asia-Pacific Ltd.,  
Suite 1607, 16/F Tower 2, The Gateway,  
Harbour City, 25 Canton Road,  
Tsimshatsui, Kowloon, Hong Kong  
**Phone:** Int + 852-2737-2277 **Fax:** Int + 852-2736-9332  
**Email:** sales@carlingtech.com.hk

**Shenzhen, China:** shenzhen@carlingtech.com  
**Shanghai, China:** shanghai@carlingtech.com  
**Pune, India:** india@carlingtech.com  
**Kaohsiung, Taiwan:** taiwan@carlingtech.com  
**Yokohama, Japan:** japan@carlingtech.com

## **Europe | Middle East | Africa Headquarters**

Carling Technologies LTD  
4 Airport Business Park, Exeter Airport,  
Clyst Honiton, Exeter, Devon, EX5 2UL, UK  
**Phone:** Int + 44 1392.364422 **Fax:** Int + 44 1392.364477  
**Email:** ltd.sales@carlingtech.com

**Germany:** gmbh@carlingtech.com  
**France:** sas@carlingtech.com



**Carling Technologies®**

Innovative Designs. Powerful Solutions.