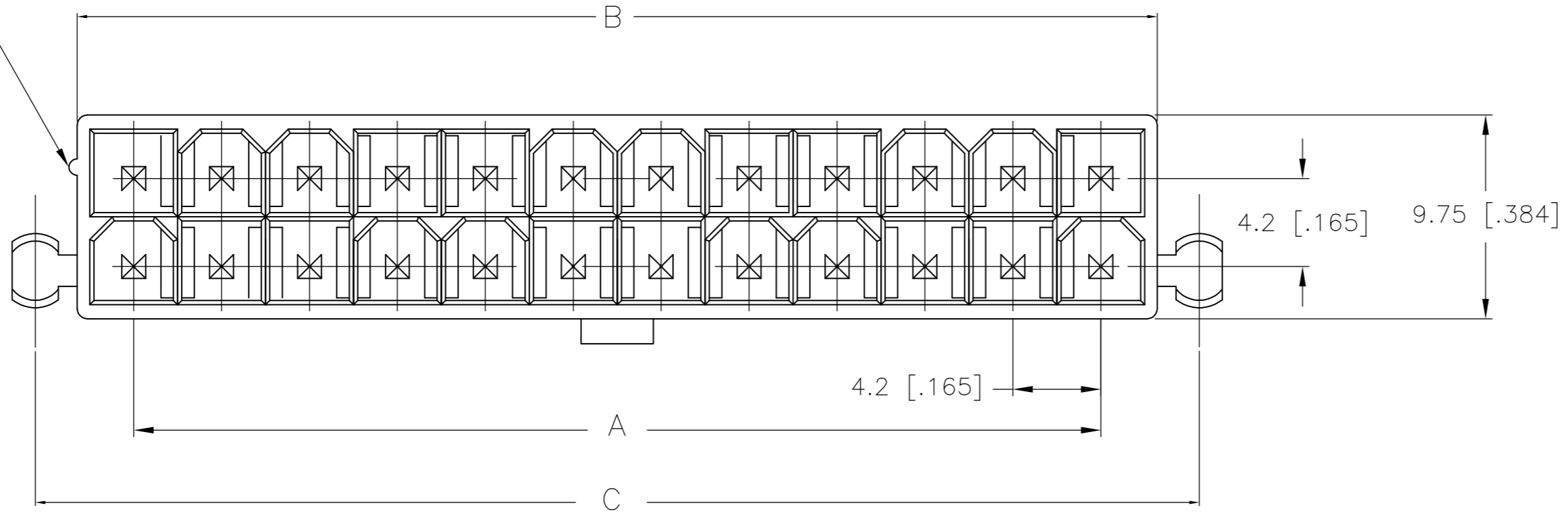


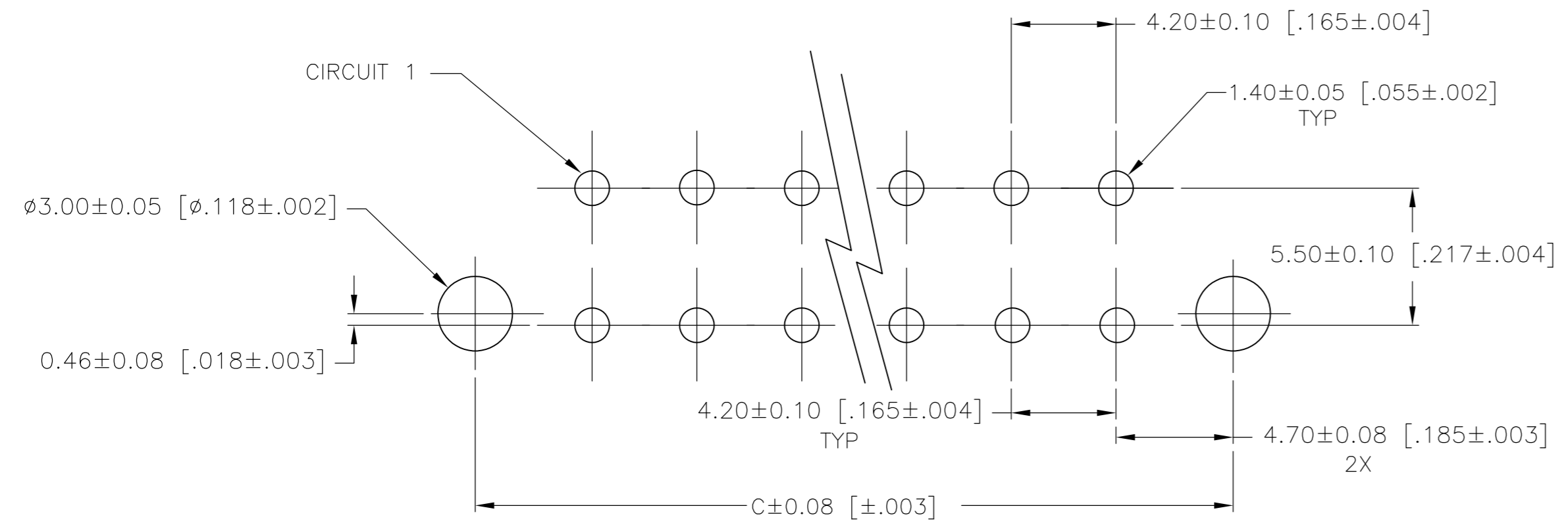
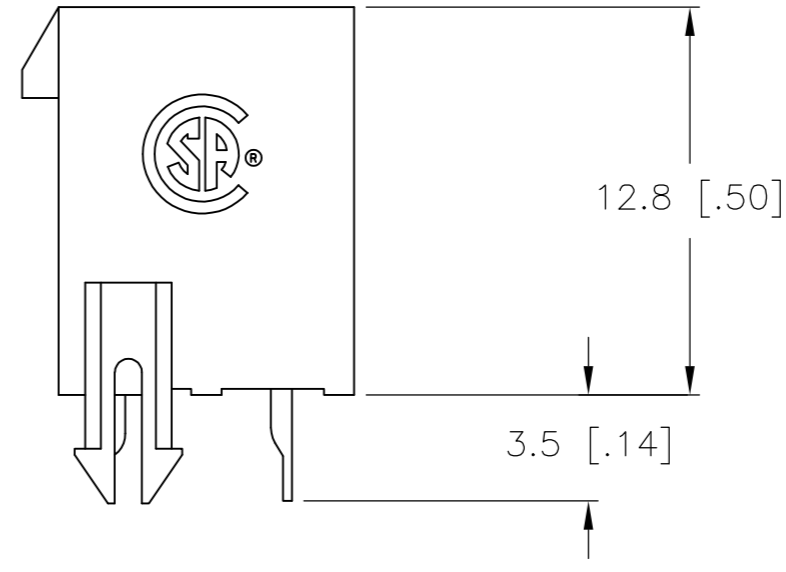
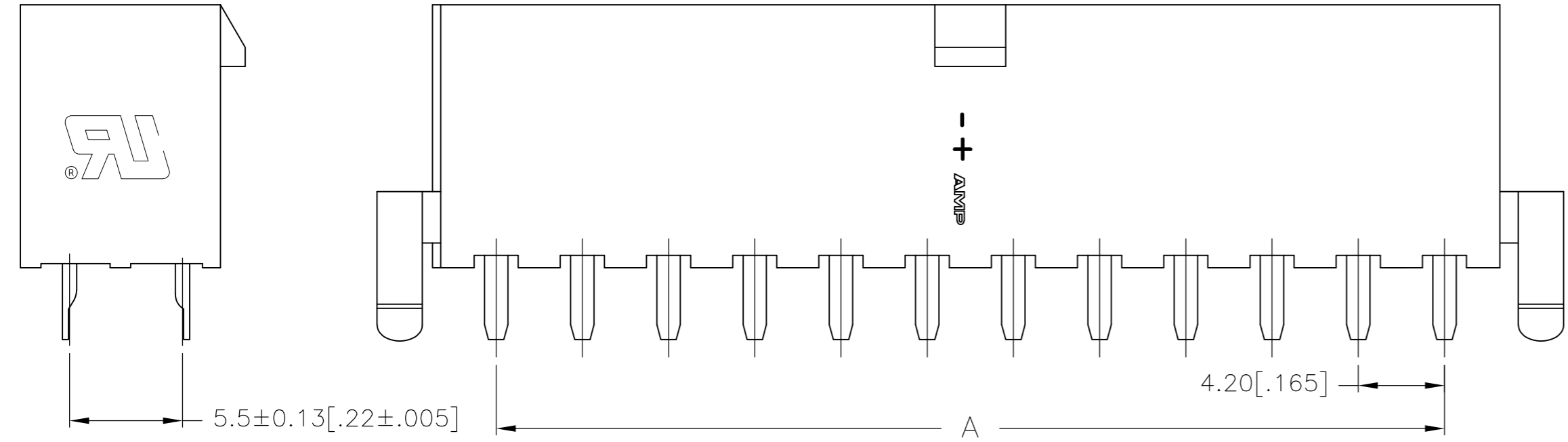
THIS DRAWING IS UNPUBLISHED. RELEASED FOR PUBLICATION
 © COPYRIGHT - By - ALL RIGHTS RESERVED.

LOC		DIST		REVISIONS			
P	LTR	DESCRIPTION		DATE	DWN	APVD	
	B4	REVISED PER ECR-12-020549		30NOV2012	KH	TM	
	B5	REVISED PER ECR-14-012040		11AUG2014	AZ	DZ	

POSITION 1 IDENTIFICATION FEATURE



- 1 MATERIAL: HOUSING-NYLON, UL94V-0 (COLOR-NATURAL, COLOR OF PARTS MAY VARY) CONTACTS-0.25 [0.010] THICK BRASS ALLOY.
- 2 CONTACT FINISH: 0.002032 [0.000080] MIN MATTE TIN OVER 0.000381 [0.000015] MIN NICKEL OVER ENTIRE CONTACT.
- 3 MATES WITH VAL-U-LOK(TM) RECEPTACLE HOUSINGS.
- 4 CONTACT FINISH: 0.00076 [0.000030] MIN GOLD PLATE ON PIN MATING SURFACE, 0.003 [0.00012] MIN TIN PLATE ON OTHER SURFACE, ALL OVER 0.00127 [0.00005] MIN NICKEL BASE PLATE.
- 5 PRELIMINARY-NOT FOR PRODUCTION.



PCB LAYOUT: COMPONENT SIDE
 RECOMMENDED BOARD THICKNESS 1.78 [0.070]
 2-1586040-4 SHOWN

FINISH	POS	A	B±0.25[0.01]	C±0.38[0.015]	PART NUMBER
4	4	4.2±0.13 [0.17±0.005]	9.6 [0.38]	13.6 [0.54]	3-1586040-4
24	24	46.2±0.25 [1.82±0.01]	51.6 [2.03]	55.6 [2.19]	2-1586040-4
22	22	42.0±0.25 [1.65±0.01]	47.4 [1.87]	51.4 [2.02]	2-1586040-2
20	20	37.8±0.25 [1.49±0.01]	43.2 [1.70]	47.2 [1.86]	2-1586040-0
18	18	33.6±0.25 [1.32±0.01]	39.0 [1.54]	43.0 [1.69]	1-1586040-8
16	16	29.4±0.25 [1.16±0.01]	34.8 [1.37]	38.8 [1.53]	1-1586040-6
14	14	25.2±0.25 [0.99±0.01]	30.6 [1.21]	34.6 [1.36]	1-1586040-4
12	12	21.0±0.25 [0.83±0.01]	26.4 [1.04]	30.4 [1.20]	1-1586040-2
10	10	16.8±0.13 [0.66±0.005]	22.2 [0.87]	26.2 [1.03]	1-1586040-0
8	8	12.6±0.13 [0.50±0.005]	18.0 [0.71]	22.0 [0.87]	1586040-8
6	6	8.4±0.13 [0.33±0.005]	13.8 [0.54]	17.8 [0.70]	1586040-6
4	4	4.2±0.13 [0.17±0.005]	9.6 [0.38]	13.6 [0.54]	1586040-4
2	2		5.4 [0.21]	9.4 [0.37]	1586040-2

THIS DRAWING IS A CONTROLLED DOCUMENT.

DIMENSIONS: mm [INCHES]	TOLERANCES UNLESS OTHERWISE SPECIFIED: 0 PLC ± 1 PLC ± 0.5 [0.02] 2 PLC ± 0.25 [0.010] 3 PLC ± - 4 PLC ± - ANGLES ±	DWN S. HOOVER 25-SEP-2002 CHK D. COLEY 25-SEP-2002 APVD D. COLEY 25-SEP-2002	NAME TE Connectivity
MATERIAL 1	FINISH SEE TABLE	APPLICATION SPEC	SIZE A2 CAGE CODE 00779 DRAWING NO C=1586040 RESTRICTED TO -
CUSTOMER DRAWING		WEIGHT	SCALE N/A SHEET 1 OF 1 REV B5