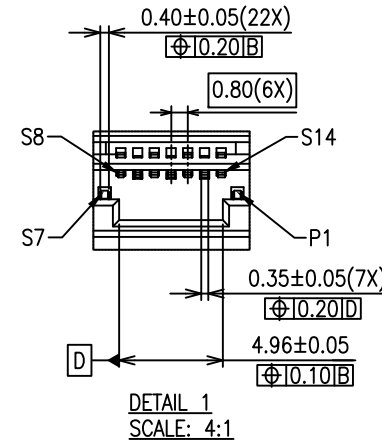
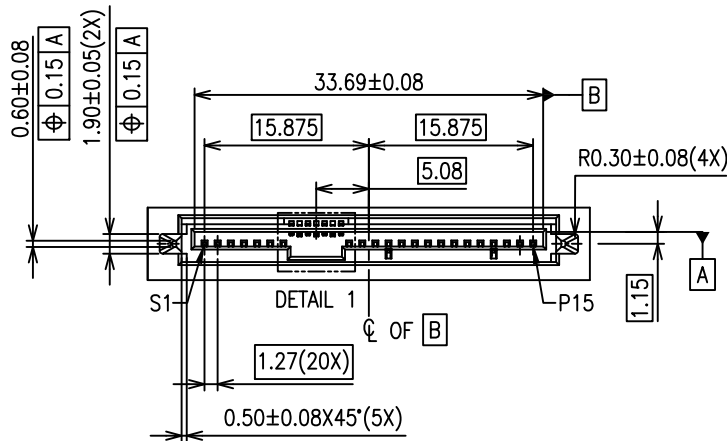
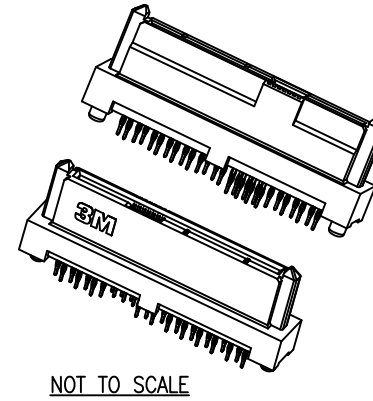
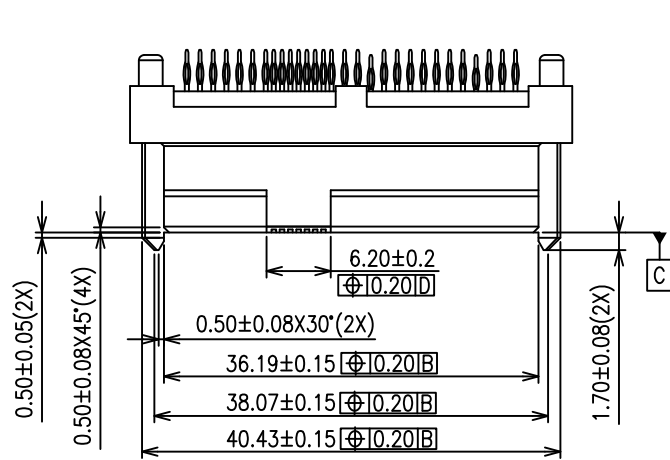


3M™ Serial Attached SCSI (SAS) Connector  
Boardmount Compliant Pin, Vertical Elevated Receptacle, SBR Series

REVISION RECORD		
REV.	ECR/ECN/ECO NUMBER	DATE
A	ECR/ECO-0045644	02/01/13

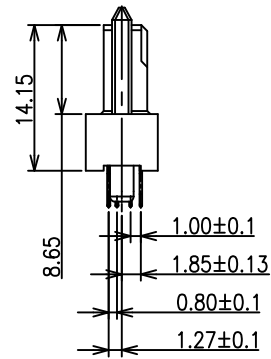
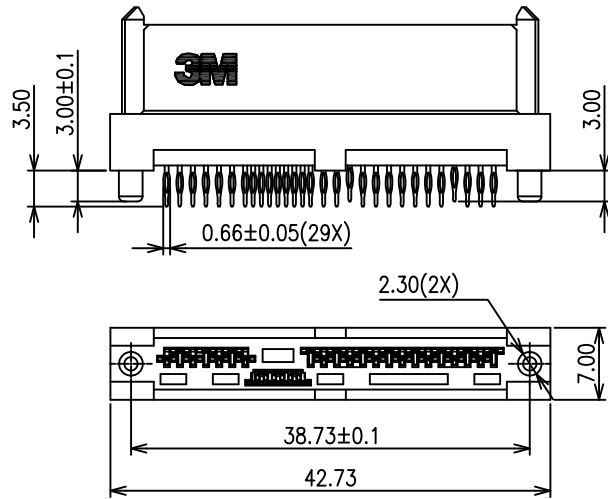


Visit <http://www.3Mconnectors.com>

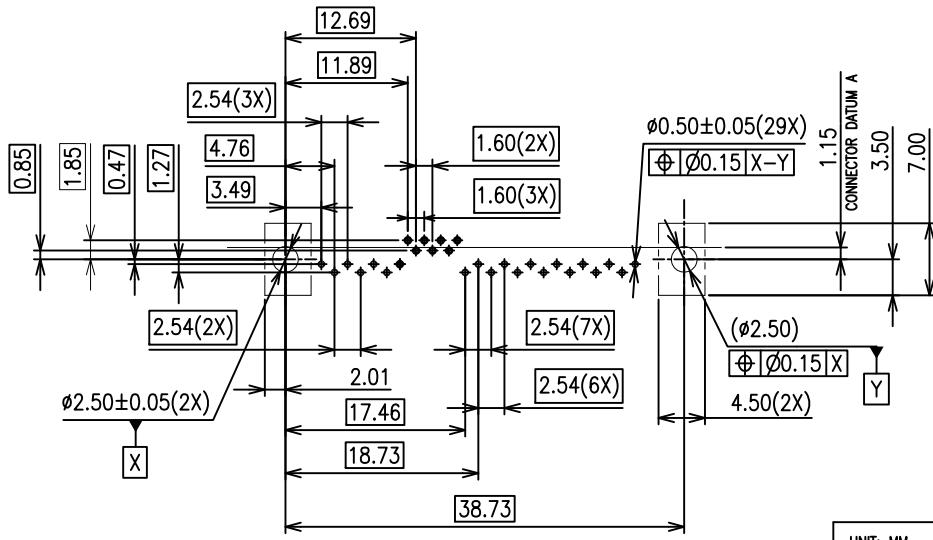
UNIT: MM	DFTG OH KIM CHYE	DATE 02/01/13	<b>3M</b> APAC INNOVATION CENTRE	DIVISION ESD	STATUS RELEASED	
GEN. TOLERANCES	CHKD QIAO YUN LONG	DATE 02/01/13		MODEL		
LINEAR .0 ±0.25 .00 ±0.15 ±0.25 .000 ±0.05	APPVL ALAN ANG	DATE 02/01/13	Serial Attached SCSI (SAS) Connector Boardmount Compliant Pin, Vertical Elevated Receptacle	SCALE: 2:1		
ANGLE=±3°	THIS DOCUMENT CONTAINS INFORMATION WHICH IS PROPRIETARY TO 3M COMPANY. NO REPRODUCTION OR PUBLICATION OF THIS DOCUMENT, IN WHOLE OR IN PART, SHALL BE MADE WITHOUT AUTHORIZATION FROM 3M. ©3M 2013. ALL RIGHTS RESERVED.			SIZE A3	DRAWING NO. 78-5100-2177-3	REV D
PROJECTION	INTERPRET PER ASME Y14.5M-1994			DET LIST <input type="checkbox"/> YES <input type="checkbox"/> NO SHT 1 of 2		
	CRITICAL DIMENSION: ▲		SCALE : 2:1			

3M™ Serial Attached SCSI (SAS) Connector  
Boardmount Compliant Pin, Vertical Elevated Receptacle, SBR Series

REVISION RECORD		
REV.	ECR/ECN/ECO NUMBER	DATE
REFER TO SHT 1 of 2		



- NOTES:
- RoHS COMPLIANT. SEE REGULATORY INFORMATION APPENDIX IN "RoHS COMPLIANCE" SECTION AT [WWW.3M.COM/INTERCONNECT](http://WWW.3M.COM/INTERCONNECT) (E1 & C1 APPLY)
  - MEETS SPECIFICATION SAS 2.1  
COMPLIANT TO SFF-8223, SFF-8323, SFF-8523
  - PHYSICAL:  
HOUSING: HIGH TEMPERATURE THERMOPLASTIC, BLACK, UL94V-0  
CONTACT: COPPER ALLOY
  - ELECTRICAL:  
CURRENT RATING: POWER PIN: 1.5A  
                            SIGNAL PIN: 500mA  
INSULATION RESISTANCE:  $10^3$  MΩ min.  
WITHSTANDING VOLTAGE: 500V<sub>ac</sub> AT SEA LEVEL
  - ENVIRONMENTAL:  
OPERATING TEMPERATURE: 0°C TO +55°C  
NON-OPERATING TEMPERATURE: -40°C TO +85°C
  - UL FILE NO. E68080
  - ORDERING INFORMATION:  
SBR-EV-29-P-ML  
                            PRESSFIT  
                            PLATING OPTION:  
                                    ML: 30u" MIN. Au AT MATING AREA  
  : 50u" MIN. Ni UNDERPLATE  
  : 100u" MIN. Sn AT TERMINATION AREA



RECOMMENDED PCB LAYOUT  
PCB THICKNESS 1.60 TO 3.00  
(ALL TOLERANCES ARE ±0.05)

Visit <http://www.3Mconnectors.com>

UNIT: MM	DFTG OH KIM CHYE	DATE 02/01/13	<b>3M</b> APAC INNOVATION CENTRE	DIVISION ESD	STATUS RELEASED
GEN. TOLERANCES	CHKD QIAO YUN LONG	DATE 02/01/13		MODEL	
LINEAR .0 = ±0.25 .00 = ±0.15 ±0.25 .000 = ±0.05	APPVL ALAN ANG	DATE 02/01/13	TITLE Serial Attached SCSI (SAS) Connector Boardmount Compliant Pin, Vertical Elevated Receptacle		
ANGLE = ±1° ±3'	THIS DOCUMENT CONTAINS INFORMATION WHICH IS PROPRIETARY TO 3M COMPANY. NO REPRODUCTION OR PUBLICATION OF THIS DOCUMENT, IN WHOLE OR IN PART, SHALL BE MADE WITHOUT AUTHORIZATION FROM 3M. ©3M 2013. ALL RIGHTS RESERVED.		SIZE A3	DRAWING NO. 78-5100-2177-3	REV D
PROJECTION	INTERPRET PER ASME Y14.5M-1994	CRITICAL DIMENSION: ▲	SCALE: 2:1	DET LIST	<input type="checkbox"/> YES <input type="checkbox"/> NO
				SHT 2 of 2	