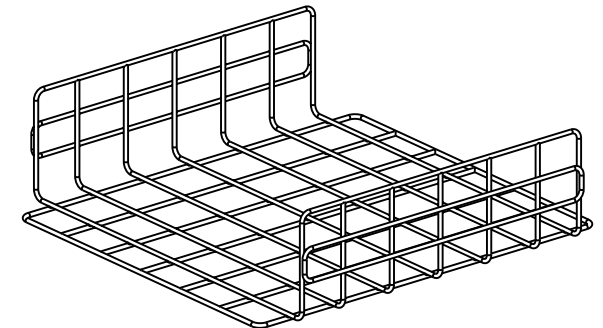
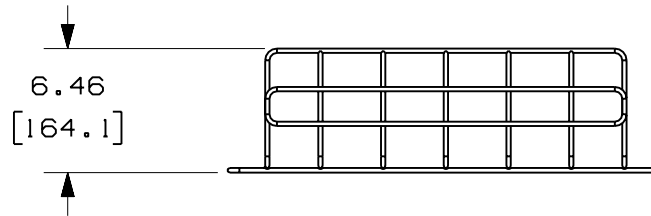
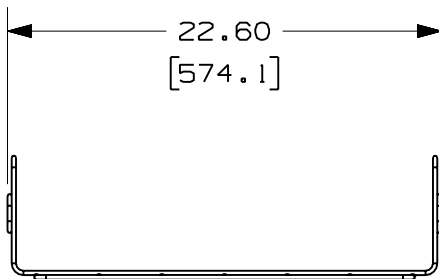
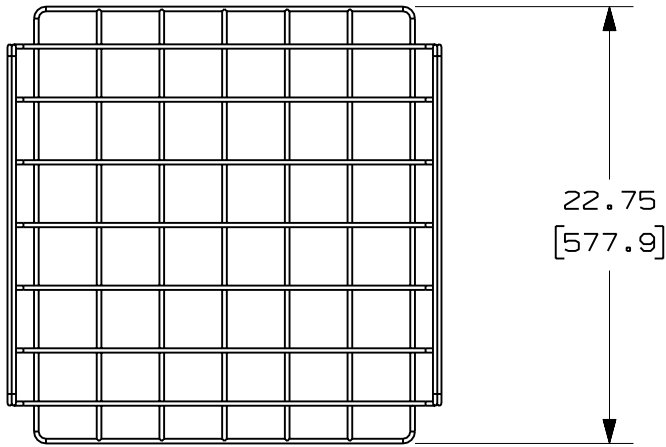


THIS COPY IS PROVIDED ON A RESTRICTED BASIS AND IS NOT TO BE USED IN ANY WAY DETRIMENTAL TO THE INTERESTS OF PANDUIT CORP.

PANDUIT PART NUMBER	WEIGHT
GR21X6X24PG	6.49 LB/EA (2943g/EA)

NOTES:

1. SEE CURRENT CATALOG FOR ADDITIONAL PART SUFFIXES TO INDICATE PACKAGE QUANTITY.
2. DIMENSIONS IN PARENTHESES ARE IN METRIC.



ENG. REF.: D39065JK_DC/00 GR21X6X24

CAD FILENAME/LAYERS
GR21X6X24PG.pdf

PANDUIT CORP TINLEY PARK, ILLINOIS
GRIDRUNNER 21x6x24 WIRE BASKET
 (GR21X6X24PG)
 CUSTOMER DRAWING

UNLESS OTHERWISE SPECIFIED,
 DIMENSIONAL TOLERANCES ARE:
 (.X) ± (.XXX) ±
 (.XX) ± .05 (1.3) ANGLES ±

UNLESS OTHERWISE SPECIFIED,
 ALL DIMENSIONS ARE GIVEN IN
 INCHES, THIRD ANGLE PROJECTION.

DRAWN BY: MSO
 DATE: 10-30-07
 CHK'D: SABR

MAT'L: PRE-GALVANIZED
 STEEL WIRE

SCALE: NONE
 DRAWING NO.: 39065-58
 DWG SIZE: A

REV	DATE	BY	CHK	DESCRIPTION	ECN	R	CUST	SUP	GMBH
R	10-30-07	MSO	SABR	RELEASED TO PRODUCTION	39065-58	RN	RN		