

SPECIFICATION FOR APPROVAL



TO: _____

PART NO.		REV.		DELTA SAMPLE ISSUE NO	
PART NAME	EMI FILTER			DELTA MODEL	03SB3M
ORDER P/N.	03SB3M			SAMPLE ISSUE DATE	

1. ELECTRICAL CHARACTERISTICS:

- 1-1. VOLTAGE RATING 115/250VAC
- 1-2. CURRENT RATING
 - 3. AT 115VAC 3 A RMS Max.
 - B. AT 250VAC 3 A RMS Max.
- 1-3. OPERATING FREQUENCY..... 50/60 Hz
- 1-4. LEAKAGE CURRENT: EACH LINE TO GROUND
 - A. @115VAC 60Hz 2.0 uA Max.
 - B. @250VAC 50Hz 5.0 uA Max.
- 1-5. HIPOT RATING (FOR ONE MINUTE)
 - A. LINE TO GROUND 2250VDC
 - B. LINE TO LINE 1450VDC
- 1-6. TEMPERATURE RANGE: -25 TO +100 DEGREE C
- 1-7. MINIMUM INSERTION LOSS IN dB: (AT 50 OHM SYSTEM)

FREQ. MHz	.01	.05	.10	.15	.50	1.0	5.0	10	30
COM. MODE dB	/	12	18	20	25	25	25	20	10
DIF. MODE dB	/	0	2	4	12	15	25	25	20

1-8. SAFETY

REPORT BY	CHECKED BY	APPROVED BY		
			REV.	

DELTA ELECTRONICS, INC.

186 RUEY KUANG ROAD, NEIHU. TAIPEI 114,
 TAIWAN, R.O.C.
 TEL:886-2-87972088 FAX:886-2-87972120

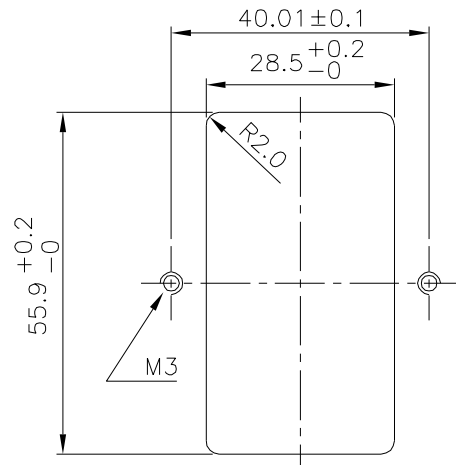
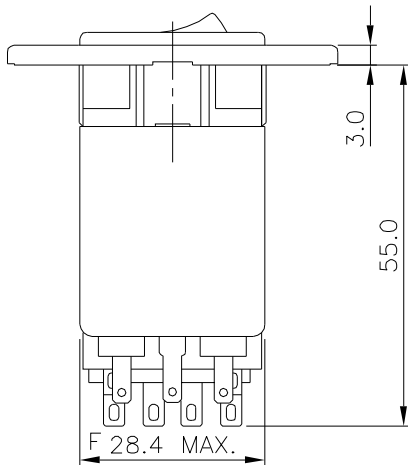
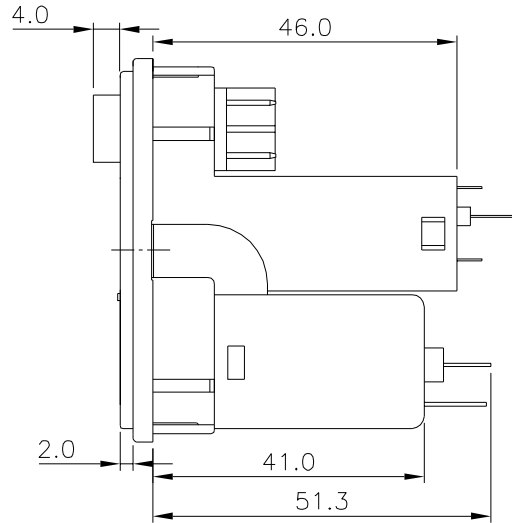
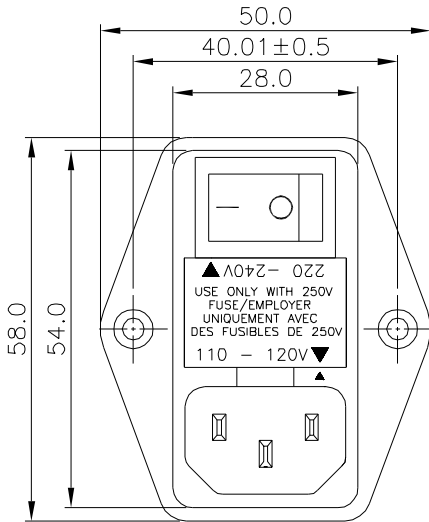
SPECIFICATION FOR APPROVAL



TO: _____

PART NO.		REV.		DELTA SAMPLE ISSUE NO	
PART NAME	EMI FILTER			DELTA MODEL	03SB3M
ORDER NO.	03SB3M			SAMPLE ISSUE DATE	

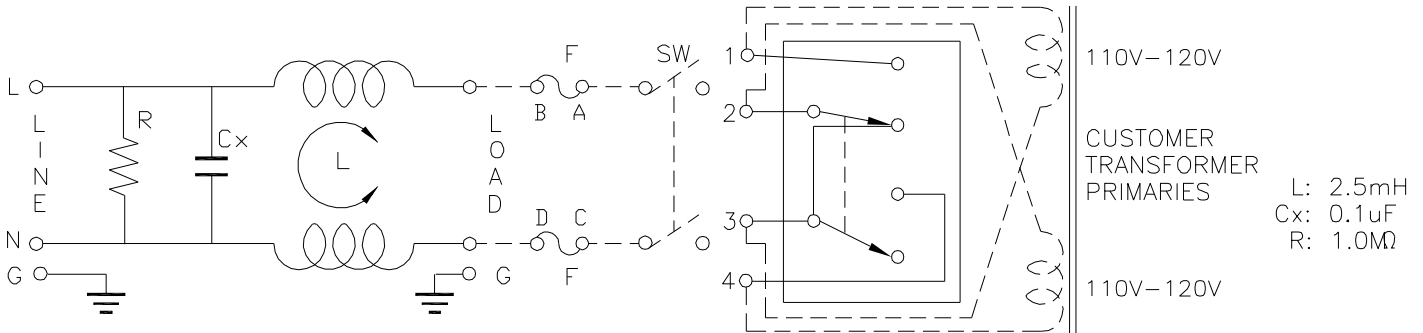
2. PHYSICAL DIMENSIONS:



UNIT: mm

SUGGESTED MOUNTING CUTOUT
(MOUNTING FROM FRONT)

3. SCHEMATIC:



REPORT BY	CHECKED BY	APPROVED BY	UNLESS OTHERWISE SPECIFIED DIMENSION TOLERANCE DCEIMALS .X± 1.0 .XX± ANGLES±		
			REV.		

DELTA ELECTRONICS, INC.

186 RUEY KUANG ROAD, NEIHU, TAIPEI 114,
TAIWAN, R.O.C.
TEL:886-2-87972088 FAX:886-2-87972120