

1 2 3 4 5 6

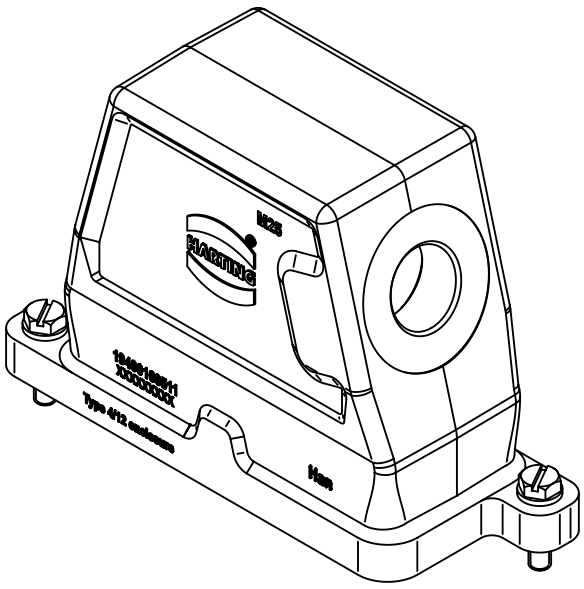
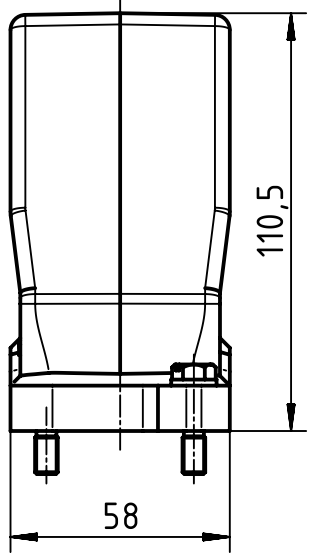
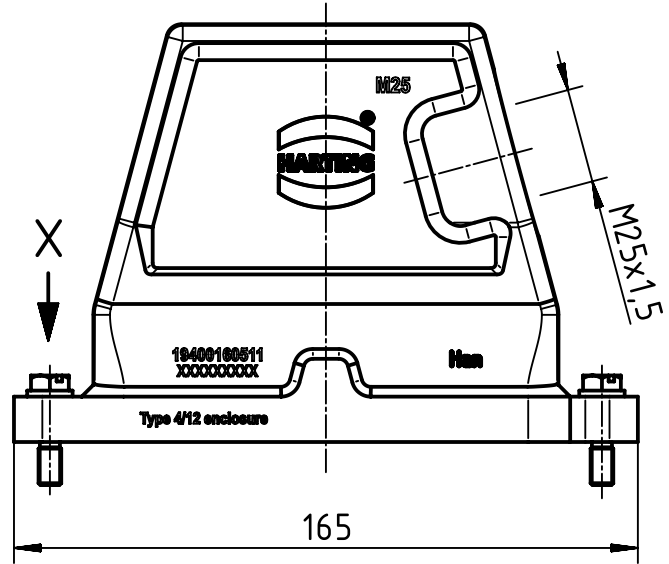
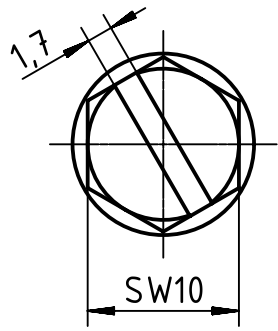
A

B

C

D

X (2:1)



	All Dimensions in mm Original Size DIN A4		Scale 1:2	Free size tol.		Ref.		
						Sub.		
	All rights reserved		Created by FINKEV	Inspected by GERB	Standardisation TIEMANNA	Date 2015-11-13	State Final Release	
	Department EL PD - DE		Title Han 16HPR-gs-SV-M25				Doc-Key / ECM-Nr. 100215013/UGD/004/B 500000094511	
HARTING Electric GmbH & Co. KG D-32339 Espelkamp			Type TB	Number 19 40 016 0511			Rev. B	Page 1/1