

10 9 8 7 6 5 4 3 2 1

F

E

D

C

B

A

F

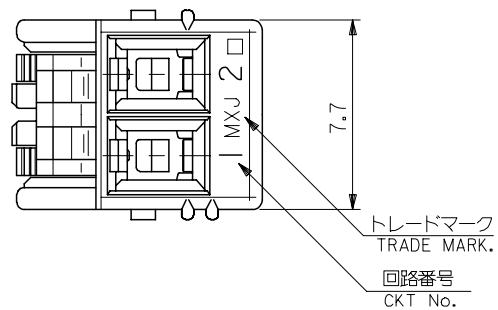
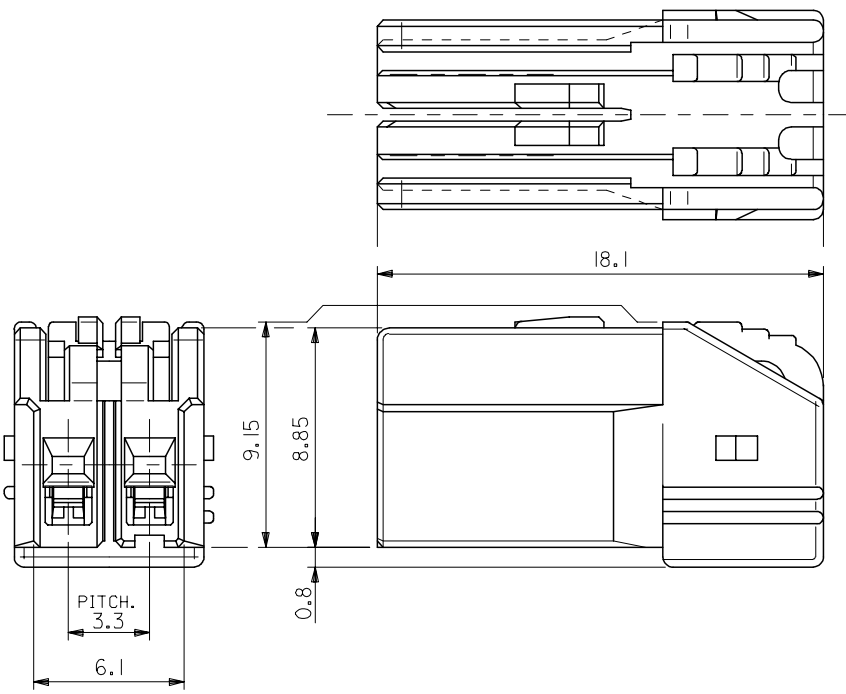
E

D

C

B

A

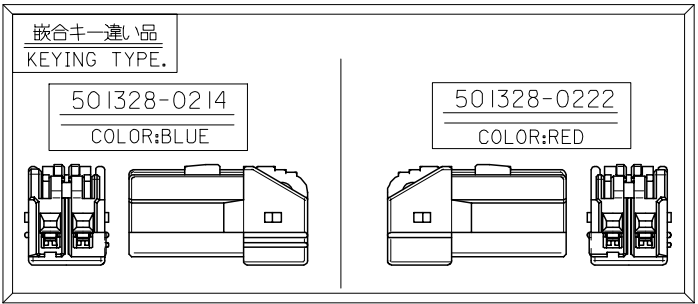
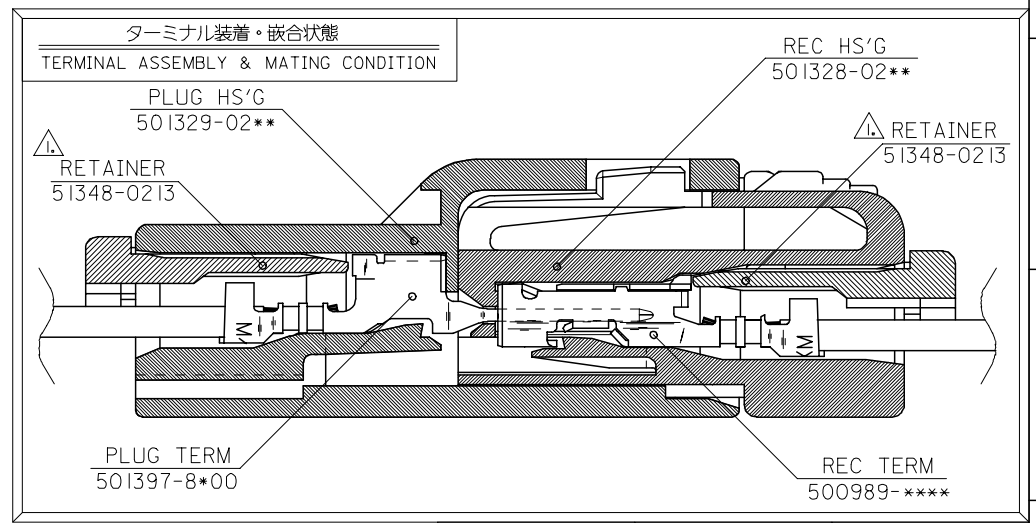


注記
NOTES.

△ 適合リテーナ : 51348-0213
APPLICABLE RETAINER
詳細は SD-51348-001 を参照下さい。
REFERENCE:SD-51348-001

2. 材料 : NYLON66,UL94V-0
MATERIAL

本形状は 501328-0200 を示す。
SHAPE OF 501328-0200



BLUE	501328-0214	
RED	501328-0222	501328-02**
WHITE	501328-0200	
COLOR	MATERIAL No.	MODEL No.

RELEASED EC NO: J2005-2177 DRWN:TODA CHKD:KASAKAWA APPR:SICHIKAWA 2005/03/31 2005/03/31 2005/03/31	GENERAL TOLERANCES (UNLESS SPECIFIED)		DIMENSION STYLE MM ONLY		SCALE 5:1	DESIGN UNITS METRIC	THIRD ANGLE PROJECTION
	10 UNDER	±0.2	DRAWN BY T.ODA		DATE '04/09/30	TITLE 3.3 W/W INERTIA LOCK CONN REC 2CKT	
	10 OVER 30 UNDER	±0.25	CHECKED BY K.ASAKAWA		DATE '04/09/30	MOLEX INCORPORATED DOCUMENT NO. SD-501328-001 SHEET NO. 1 OF 1	
	30 OVER	±0.3	APPROVED BY S.ICHIKAWA		DATE '04/09/30		
ANGULAR ±3 °		DRAFT WHERE APPLICABLE MUST REMAIN WITHIN DIMENSIONS		MATERIAL NO. SEE CHART			
SIZE A3		THIS DRAWING CONTAINS INFORMATION THAT IS PROPRIETARY TO MOLEX INCORPORATED AND SHOULD NOT BE USED WITHOUT WRITTEN PERMISSION					