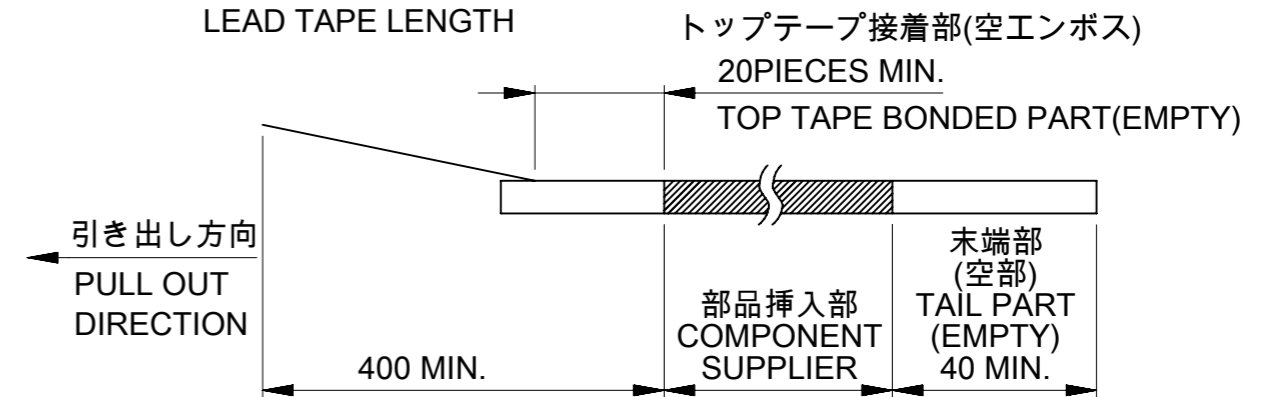


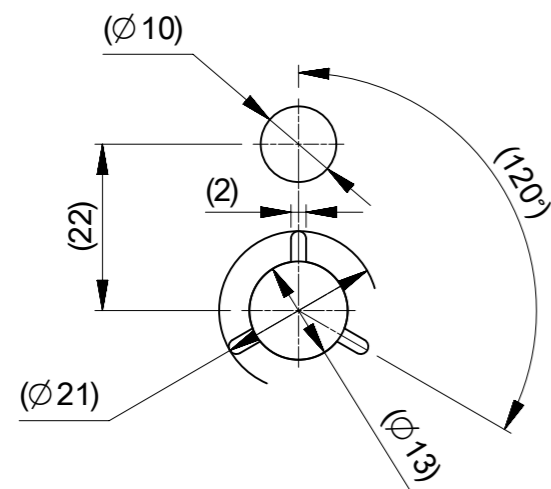
NOTES

- 製品詳細寸法は製品単体図面を参照して下さい。
FOR DETAIL OF CONNECTOR DIMENSIONS, PLEASE SEE THE DRAWING OF CONNECTOR ITSELF (NOT PACKAGED).
- 梱包数量 : 1300個 / リール
NUMBER OF CONNECTORS : 1300PIECES/REEL
- リードテープ長さ
LEAD TAPE LENGTH



4.材料

MATERIAL
 キャリアテープ : ポリスチレン (PS)
 CARRIER TAPE : POLYSTYRENE
 トップテープ : ポリエステル (PET)、その他
 TOP TAPE : POLYESTER (PET), OTHER
 リール : ポリスチレン (PS) <リサイクル材を含む>
 REEL : POLYSTYRENE <RECYCLE MATERIAL CONTAINED>

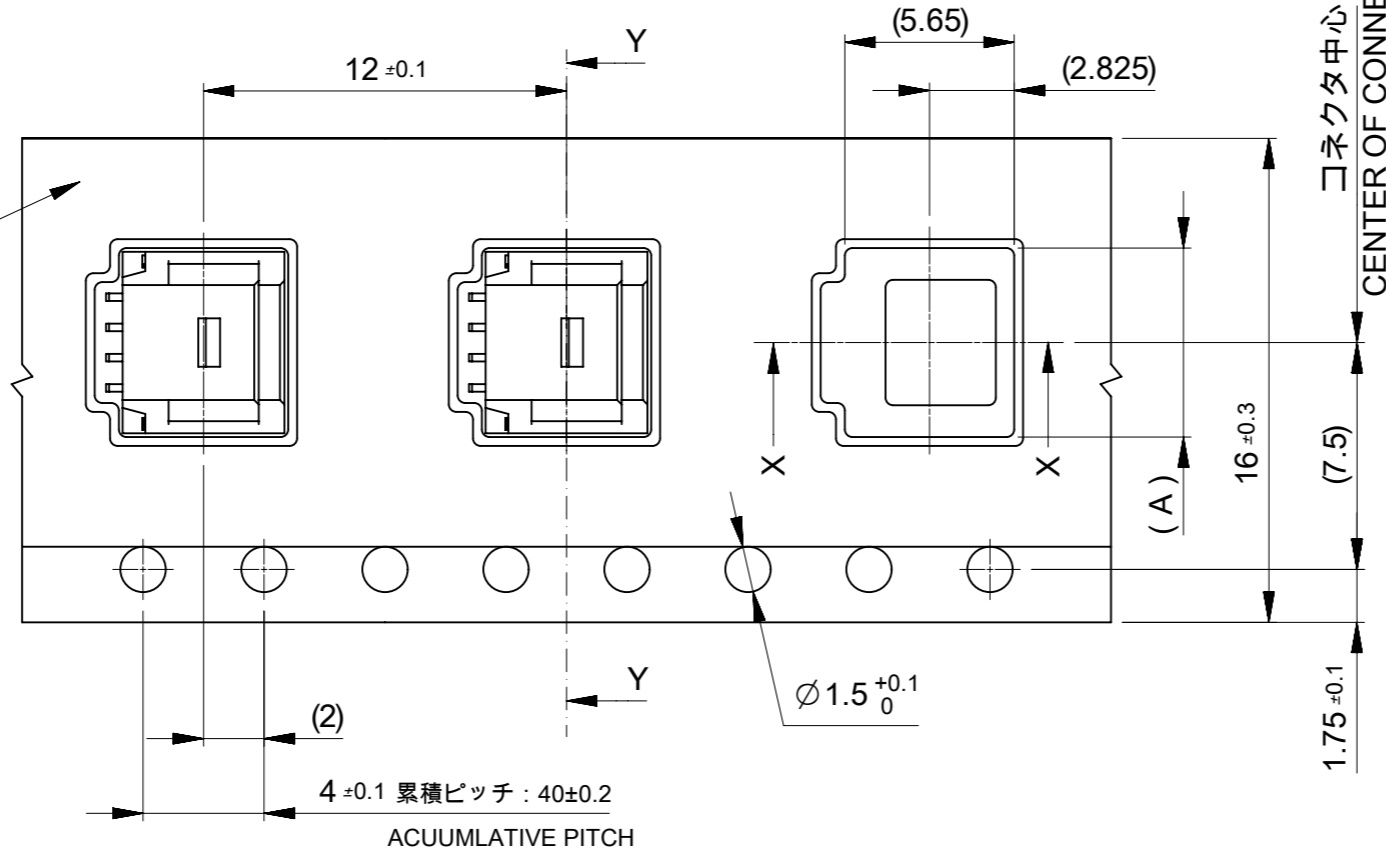


DETAIL B

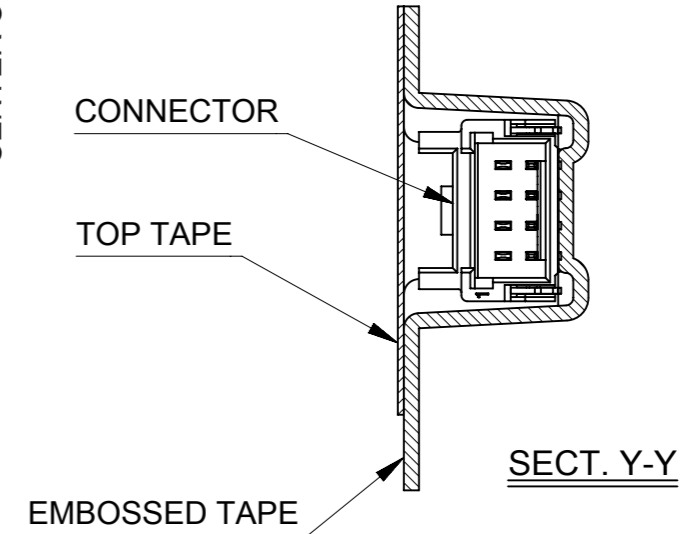
THIS DRAWING CONTAINS INFORMATION THAT IS PROPRIETARY TO MOLEX ELECTRONIC TECHNOLOGIES, LLC AND SHOULD NOT BE USED WITHOUT WRITTEN PERMISSION

EC NO: 168346 DRWN: KYAMADA02 CHK'D: SAKIYAMA APPR: TKANEKO	2017/11/27 2017/11/30 2017/12/01	GENERAL TOLERANCES (UNLESS SPECIFIED) ANGULAR TOL $\pm 3.0^\circ$	DIMENSION UNITS: mm SCALE: NTS				
	4 PLACES ± 0.2 3 PLACES ± 0.2 2 PLACES ± 0.2 1 PLACE ± 0.2 0 PLACES ± 0.2	DRWN BY: KYAMADA02 DATE: 2017/11/27	PICO-CLASP 1.0W/B SINGLE-ROW R/A OUTER LOCK EMBSTP PKG(GOLD VERSION 0.1)				
	DRAFT WHERE APPLICABLE MUST REMAIN WITHIN DIMENSIONS	CHK'D BY: SAKIYAMA DATE: 2017/11/30	PRODUCT CUSTOMER DRAWING				
	A	APPR BY: TKANEKO DATE: 2017/12/01	DRAWING SIZE: A3 THIRD ANGLE PROJECTION	SERIES: 501953 MATERIAL NUMBER: SEE CHART CUSTOMER: GENERAL	DOCUMENT NUMBER: 5019530305-SD DOC TYPE: PSD DOC PART: 000 SHEET NUMBER: 1 OF 2		

16幅テープ
16 WIDTH TAPE

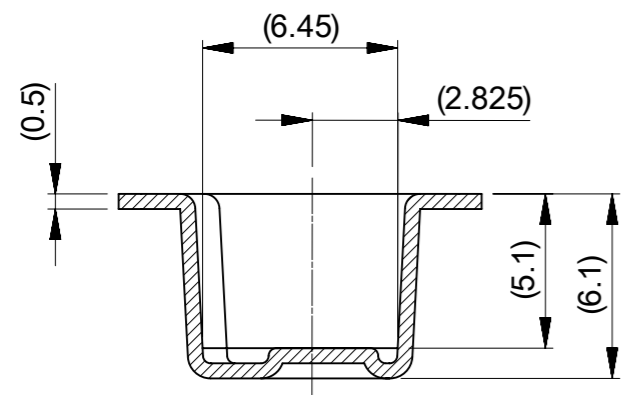


コネクタ中心
CENTER OF CONNECTOR



EMBOSSSED TAPE

SECT. Y-Y

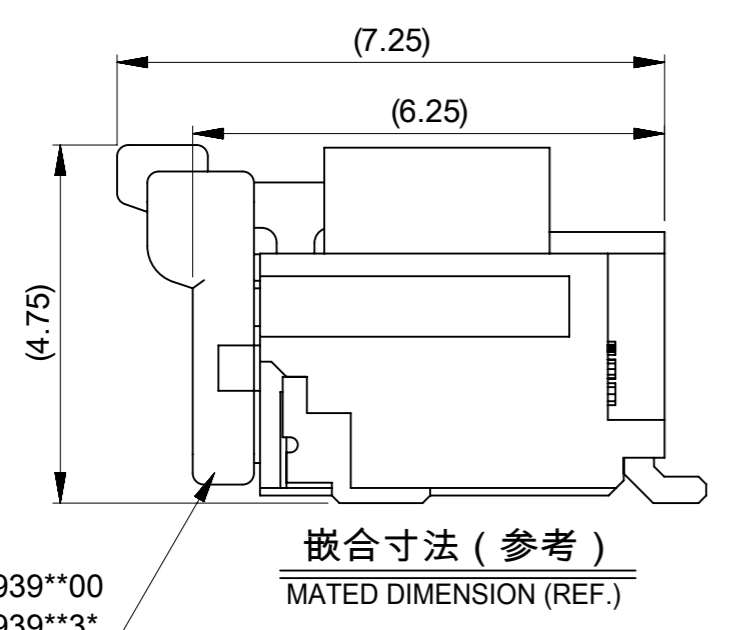
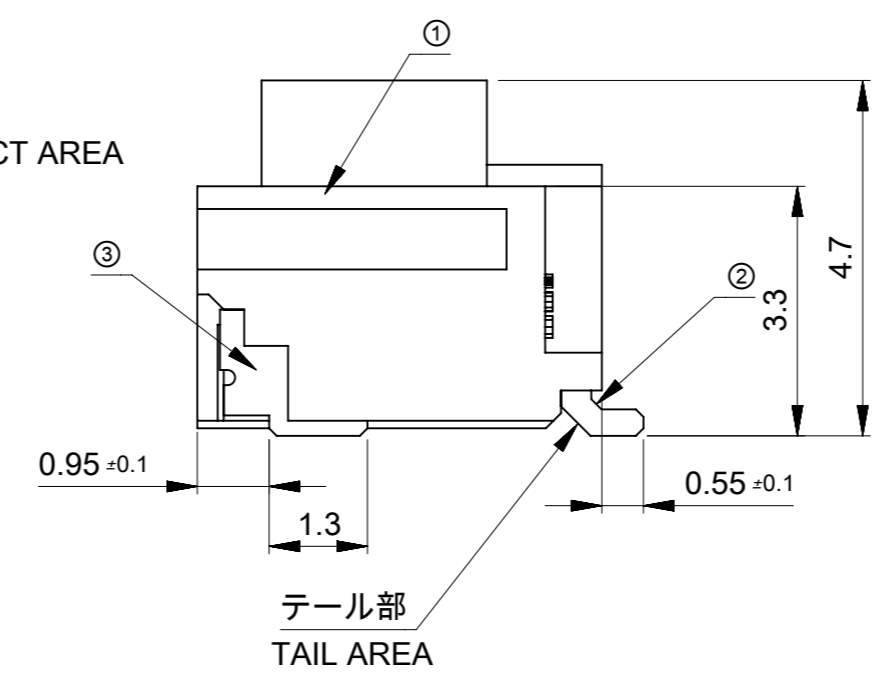
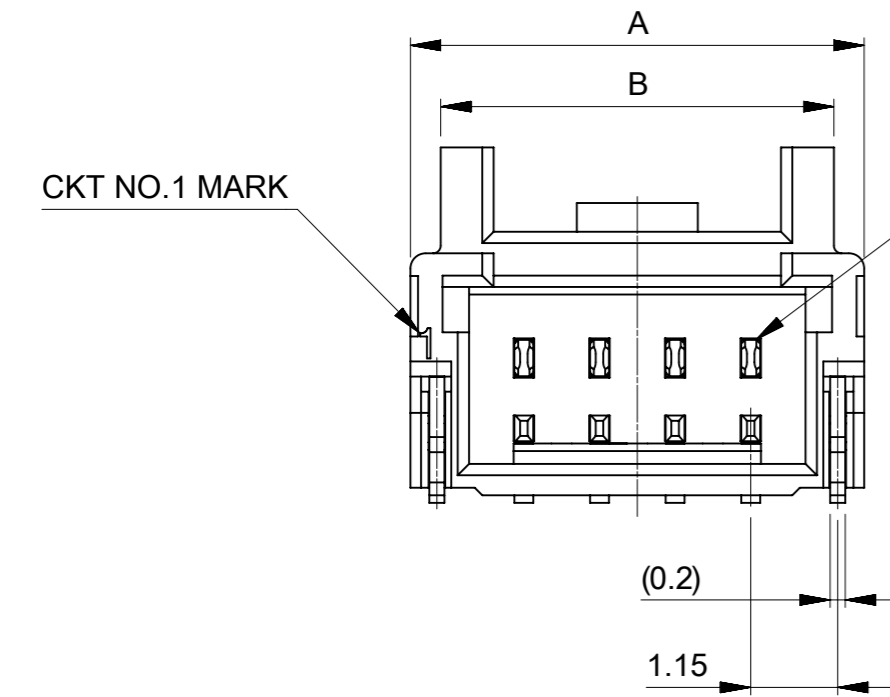
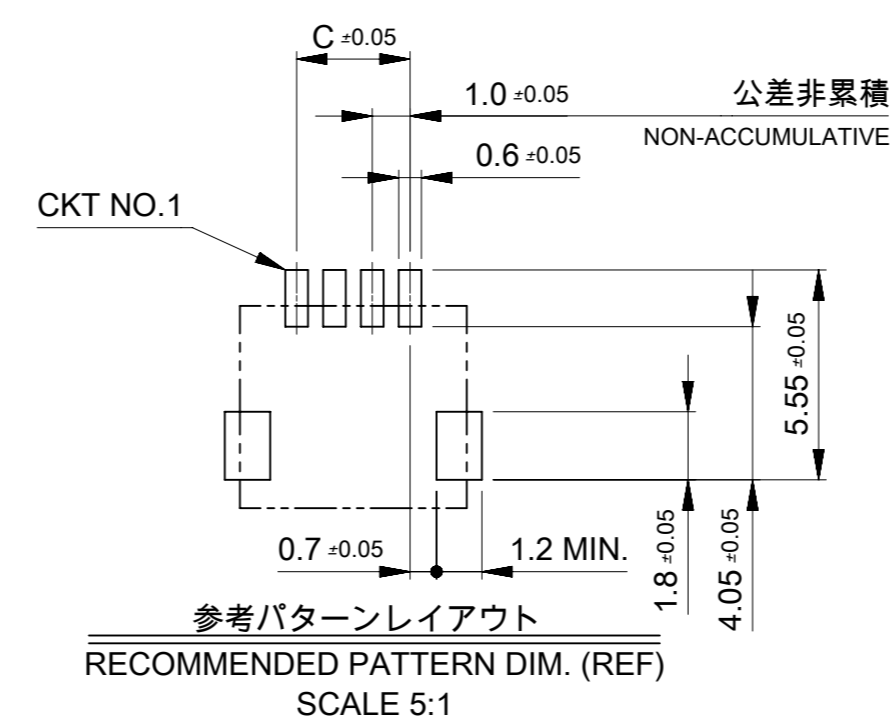
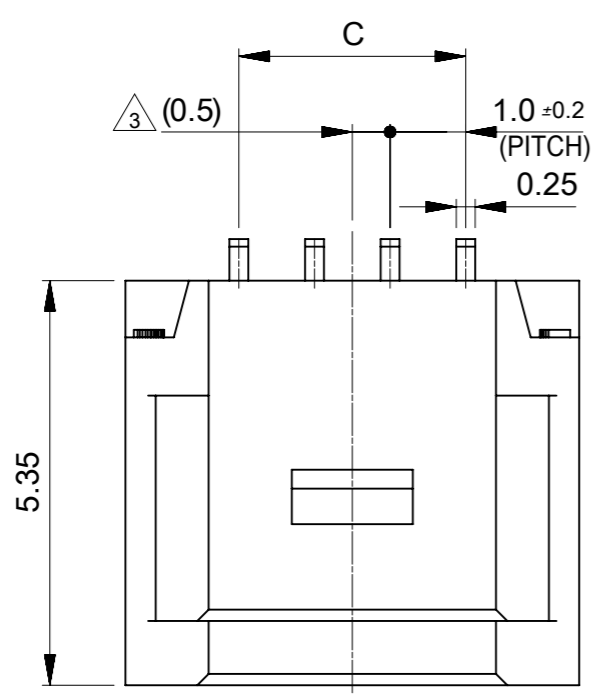


SECT. X-X

7.3	5019530505	5
6.3	5019530405	4
5.3	5019530305	3
(A)	EMBOSSSED PACKAGE	極数
	オーダー番号 ORDER NO.	CIRCUITS
CONNECTOR SERIES NO. 501953**06		

THIS DRAWING CONTAINS INFORMATION THAT IS PROPRIETARY TO MOLEX ELECTRONIC TECHNOLOGIES, LLC AND SHOULD NOT BE USED WITHOUT WRITTEN PERMISSION

EC NO: 168346 DRWN: KYAMADA02 CHK'D: SAKIYAMA APPR: TKANEKO	2017/11/27 2017/11/30 2017/12/01	GENERAL TOLERANCES (UNLESS SPECIFIED) ANGULAR TOL ± 3.0 ° 4 PLACES ± 0.2 3 PLACES ± 0.2 2 PLACES ± 0.2 1 PLACE ± 0.2 0 PLACES ± 0.2	DIMENSION UNITS: mm SCALE: NTS DRWN BY: KYAMADA02 DATE: 2017/11/27 CHK'D BY: SAKIYAMA DATE: 2017/11/30 APPR BY: TKANEKO DATE: 2017/12/01	molex PICO-CLASP 1.0W/B SINGLE-ROW R/A OUTER LOCK EMBSTP PKG(GOLD VERSION 0.1)	
	DRAFT WHERE APPLICABLE MUST REMAIN WITHIN DIMENSIONS			DRAWING SIZE: A3 THIRD ANGLE PROJECTION	PRODUCT CUSTOMER DRAWING
	SERIES: 501953 MATERIAL NUMBER: SEE CHART CUSTOMER: GENERAL		DOCUMENT NUMBER: 5019530305-SD DOC TYPE: PSD DOC PART: 000 SHEET NUMBER: 2 OF 2		
	RELEASE STATUS: P1 RELEASE DATE: 01.12.2017 05:25:28				



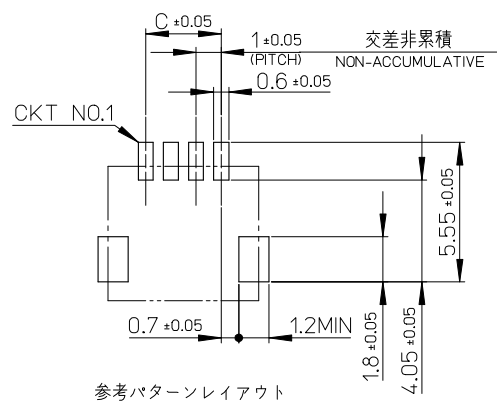
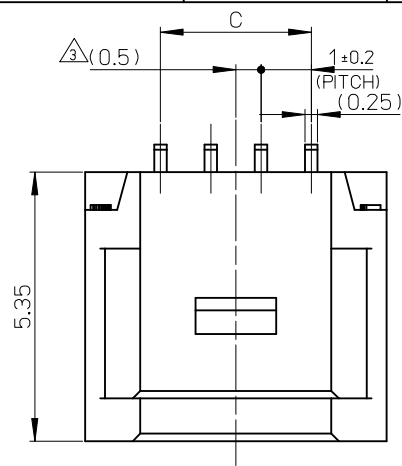
番号 NO.	部品 PART	材質 MATERIAL
①	ウエハー WAFER	ポリアミド UL94V-0 色 : 自然色 POLYAMIDE, UL94V-0, COLOR:NATURAL
②	ソルダーピン SOLDER PIN	りん青銅 PHOSPHOR BRONZE 金めっき(接触部) : 0.1 MICRO METER MIN. GOLD PLATING (CONTACT AREA) 金めっき(テール部):0.05 MICRO METER MINIMUM. GOLD PLATING (TAIL AREA) ニッケルめっき(下地):1.0 MICRO METER MIN. NICKEL(UNDER PLATING)
③	ネイル NAIL	黄銅 BRASS 錫めっき:1.0 MICRO METER MIN. TIN ニッケルめっき(下地):1.0 MICRO METER MIN. NICKEL(UNDER PLATING)

NOTES.
 1. 嵌合相手 : 501939****
 MATE WITH :501939****
 2. ソルダーピン及びネイル平坦度は、0.1MAX.
 SOLDER PIN AND NAIL COPLANARITY TO BE 0.1MAX.
 ③ 極数 = 偶数に適用
 APPLY FOR CKT SIZE=EVEN

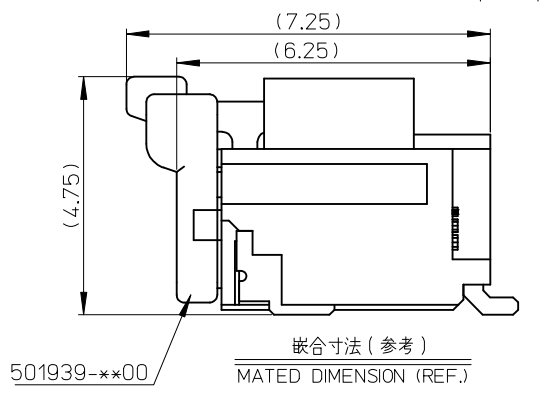
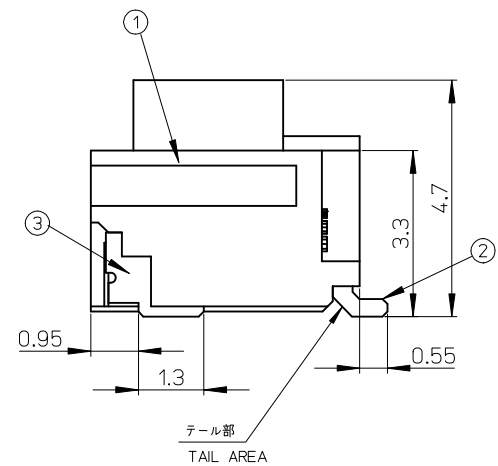
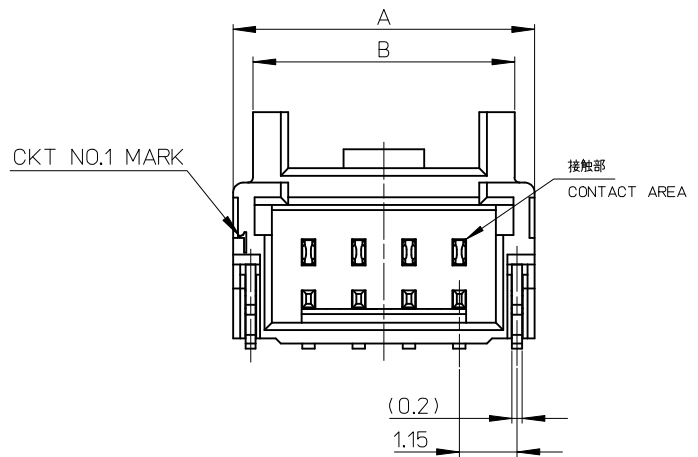
4.0	5.2	7.0	5019530505	5
3.0		6.0	5019530405	4
2.0	4.2	5.0	5019530305	3
C	B	A	EMBOSSED PACKAGE	極数
			オーダー番号 ORDER NO.	CIRCUITS
CONNECTOR SERIES NO. 501953**06				

THIS DRAWING CONTAINS INFORMATION THAT IS PROPRIETARY TO MOLEX ELECTRONIC TECHNOLOGIES, LLC AND SHOULD NOT BE USED WITHOUT WRITTEN PERMISSION

EC NO: 168346 DRWN: KYAMADA02 CHK'D: SAKIYAMA APPR: TKANEKO	2017/11/27	2017/11/30	2017/12/01	GENERAL TOLERANCES (UNLESS SPECIFIED)	DIMENSION UNITS	SCALE		
				ANGULAR TOL ± 3.0 °	mm	10:1		
	4 PLACES	± 0.2			DRWN BY	DATE		PICO-CLASP 1.0W/B SINGLE-ROW RA OUTER LOCK WAFER ASSY(GOLD VERSION 0.1)
	3 PLACES	± 0.2		KYAMADA02	2017/11/27			
	2 PLACES	± 0.2			CHK'D BY	DATE		PRODUCT CUSTOMER DRAWING
1 PLACE	± 0.2		SAKIYAMA	2017/11/30				
0 PLACES	± 0.2			APPR BY	DATE	SERIES: 501953 MATERIAL NUMBER: SEE TABLE CUSTOMER: GENERAL		
				DRAFT WHERE APPLICABLE MUST REMAIN WITHIN DIMENSIONS	DRAWING SIZE	THIRD ANGLE PROJECTION	DOCUMENT NUMBER: 5019530306-SD DOC TYPE: PSD DOC PART: 000 SHEET NUMBER: 1 OF 1	



参考パターンレイアウト
RECOMMENDED PATTERN DIM. (REF)
SCALE 5:1



番号 NO.	部品 PART	材質 MATERIAL
①	ウエハー WAFER	耐熱ナイロン樹脂 UL94V-0 色:表参照 HEAT RESISTANCE NYLON .COLOR:SEE TABLE UL94V-0
②	ソルダーピン SOLDER PIN	りん青銅 PHOSPHOR BRONZE 金メッキ (接触部):0.1μm MIN. GOLD PLATING (CONTACT AREA) 金メッキ (テール部):0.05μm MIN. GOLD PLATING (TAIL AREA) ニッケルメッキ (下地):1.0μmMIN. NICKEL(UNDER PLATING)
③	ネイル NAIL	黄銅 BRASS 錫メッキ:1.0μmMIN. TIN ニッケルメッキ (下地):1.0μmMIN. NICKEL(UNDER PLATING)

- NOTES.
1. 嵌合相手: 501939-****
MATE WITH: 501939-****
 2. ソルダーピン及びネイル平坦度は、0.1MAX.
SOLDER PIN AND NAIL COPLANARITY TO BE 0.1MAX.
 3. 極数=偶数に適用
APPLY FOR CKT SIZE=EVEN
 4. ELV AND RoHS COMPLIANT.


4.0	5.2	7.0	5
3.0		6.0	4
2.0	4.2	5.0	3
C	B	A	極数 CIRCUITS

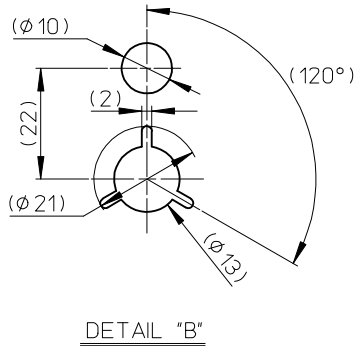
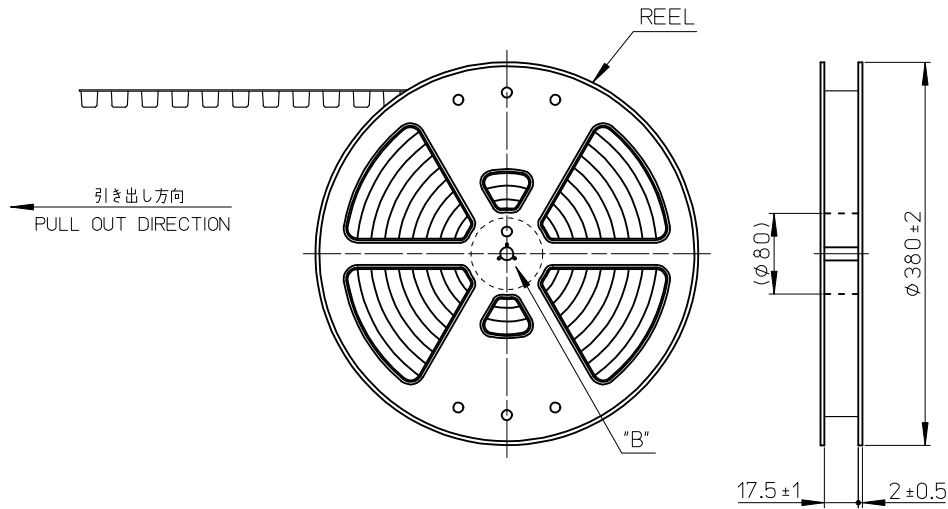
CONFIDENTIAL

REVISED EC NO: J2016-1063 DR:WNR/TAKAKAOZ 2016/04/07 CHKD:SAKI/YAMA 2016/04/08 APPR:TKANEKO 2016/04/28	DESCRIPTION	GENERAL TOLERANCES (UNLESS SPECIFIED)			DIMENSION STYLE MM ONLY		CONNECTOR SERIES No. 501953-***6		
		0.25 UNDER	UNDER	±0.03	DRAWN BY	DATE	SCALE	DESIGN UNITS	THIRD ANGLE PROJECTION
		0.25 OVER	0.5 UNDER	±0.05	KCHIKANO	2014/12/25	10:1	METRIC	
		0.5 OVER	1.0 UNDER	±0.1	CHECKED BY	DATE	TITLE		
1.0 OVER	10 UNDER	±0.2	KASAKAWA	2014/12/25	1.0 WIRE TO BOARD CONN. WAFER ASS'Y 1-ROW R/A POSI-LOCK				
10 OVER	30 UNDER	±0.25	APPROVED BY	DATE					
30 OVER		±0.3	NUKITA	2015/01/16					
	ANGULAR	±3 °	MATERIAL NO.		SEE SHEET 2		DOCUMENT NO.	SHEET NO.	
	DRAFT WHERE APPLICABLE MUST REMAIN WITHIN DIMENSIONS			SIZE	THIS DRAWING CONTAINS INFORMATION THAT IS PROPRIETARY TO MOLEX ELECTRONIC TECHNOLOGIES, LLC AND SHOULD NOT BE USED WITHOUT WRITTEN PERMISSION				
A				A3	SD-501953-003				
					1 OF 2				

CONFIDENTIAL

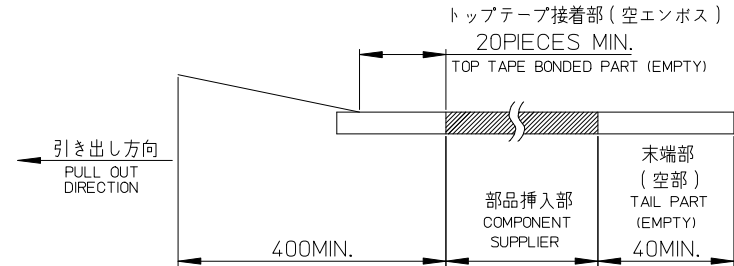
紫 PA46 VIOLET	橙 PA46 ORANGE	茶 PA46 BROWN	緑 PA46 GREEN	色 COLOR
EMBOSSED PACKAGE	EMBOSSED PACKAGE	EMBOSSED PACKAGE	EMBOSSED PACKAGE	5
オーダー番号 ORDER NO.	オーダー番号 ORDER NO.	オーダー番号 ORDER NO.	オーダー番号 ORDER NO.	4
EMBOSSED PACKAGE	EMBOSSED PACKAGE	EMBOSSED PACKAGE	EMBOSSED PACKAGE	3
オーダー番号 ORDER NO.	オーダー番号 ORDER NO.	オーダー番号 ORDER NO.	オーダー番号 ORDER NO.	極数 CIRCUITS
CONNECTOR SERIES No. 501953-***9				
青 PA46 BLUE	黄 PA46 YELLOW	赤 PA46 RED	黒 PA46 BLACK	自然色 PA6T NATURAL
EMBOSSED PACKAGE	EMBOSSED PACKAGE	EMBOSSED PACKAGE	EMBOSSED PACKAGE	501953-0505
オーダー番号 ORDER NO.	オーダー番号 ORDER NO.	オーダー番号 ORDER NO.	オーダー番号 ORDER NO.	501953-0405
EMBOSSED PACKAGE	EMBOSSED PACKAGE	EMBOSSED PACKAGE	EMBOSSED PACKAGE	501953-0305
オーダー番号 ORDER NO.	オーダー番号 ORDER NO.	オーダー番号 ORDER NO.	オーダー番号 ORDER NO.	3
EMBOSSED PACKAGE	EMBOSSED PACKAGE	EMBOSSED PACKAGE	EMBOSSED PACKAGE	極数 CIRCUITS
オーダー番号 ORDER NO.	オーダー番号 ORDER NO.	オーダー番号 ORDER NO.	オーダー番号 ORDER NO.	オーダー番号 ORDER NO.
CONNECTOR SERIES No. 501953-***6				

REVISED EC NO: J2016-1063 DRWR: TANKA02 2016/04/07 CHKD: SAKIYAMA 2016/04/08 APPR: KANEKO 2016/04/28	GENERAL TOLERANCES (UNLESS SPECIFIED)			DIMENSION STYLE MM ONLY		SCALE ---	DESIGN UNITS METRIC	THIRD ANGLE PROJECTION
	0.25 UNDER	UNDER	±0.03	DRAWN BY	DATE	TITLE		
	0.25 OVER	0.5 UNDER	±0.05	KCHIKANO	2014/12/25	1.0 WIRE TO BOARD CONN. WAFER ASS'Y 1-ROW R/A POSI-LOCK		
	0.5 OVER	1.0 UNDER	±0.1	CHECKED BY	DATE			
	1.0 OVER	10 UNDER	±0.2	KASAKAWA	2014/12/25			
10 OVER	30 UNDER	±0.25	APPROVED BY	DATE				
30 OVER		±0.3	NUKITA	2015/01/16	MATERIAL NO.	DOCUMENT NO.	SHEET NO.	
ANGULAR	±3 °		SEE CHART		SD-501953-003		2 OF 2	
DRAFT WHERE APPLICABLE MUST REMAIN WITHIN DIMENSIONS			SIZE A3	THIS DRAWING CONTAINS INFORMATION THAT IS PROPRIETARY TO MOLEX ELECTRONIC TECHNOLOGIES, LLC AND SHOULD NOT BE USED WITHOUT WRITTEN PERMISSION				



NOTES

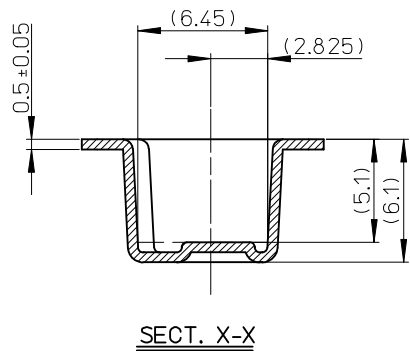
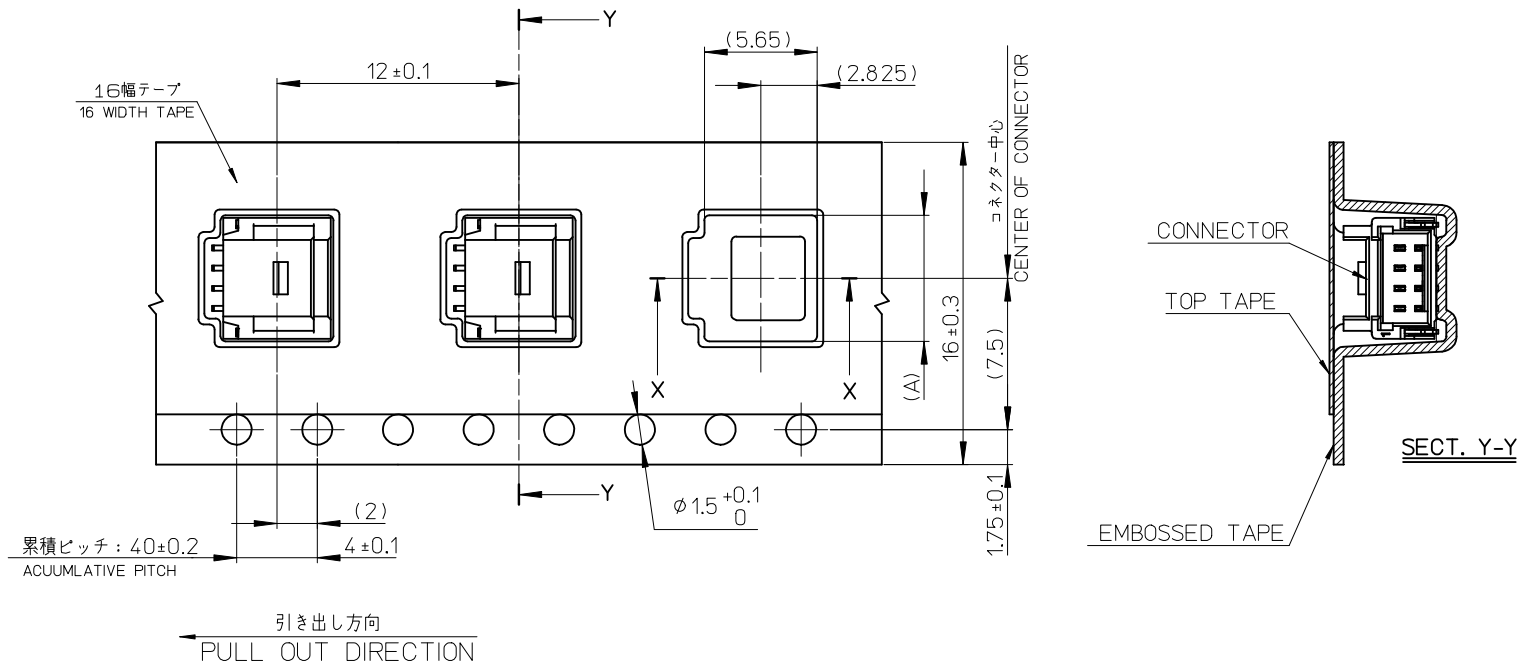
- 製品詳細寸法は製品単体図面を参照して下さい。
FOR DETAIL OF CONNECTOR DIMENSIONS, PLEASE SEE THE DRAWING OF CONNECTOR ITSELF (NOT PACKAGED).
- 梱包数量: 1300個/リール
NUMBER OF CONNECTORS: 1300PIECES/REEL
- リードテープ長さ
LEAD TAPE LENGTH



- 材料
MATERIAL
キャリアテープ: ポリスチレン
CARRIER TAPE: POLYSTYRENE
トップテープ: PET、その他
TOP TAPE: PET, OTHER
リール: ポリスチレン<リサイクル材を含む>
REEL: POLYSTYRENE <RECYCLE MATERIAL CONTAINED >
- ELV AND RoHS COMPLIANT.
- ハイバリア梱包 (シリカゲル入り) 対応品である。(501953-**07除く)
THIS PRODUCT IS HIGH BARRIER PACKAGE.(WITH SILICAGEL)
(BESIDES 501953-**07)
- 開梱後の保管条件に注意のこと。(ハイバリア品対象: PS-501940-001参照)
REFER TO PS-501940-001(HIGH BARRIER PRODUCT)
FOR CONDITIONS AFTER OPEN.

REVISED EC NO: J2016-1063 DRWR: TANAKA02 2016/04/07 CHKD: SAKIYAMA 2016/04/08 APPR: KANEKO 2016/04/28	GENERAL TOLERANCES (UNLESS SPECIFIED)			DIMENSION STYLE MM ONLY		SCALE ---	DESIGN UNITS METRIC	THIRD ANGLE PROJECTION
	0.25 UNDER	UNDER	± 0.03	DRAWN BY	DATE	TITLE		
	0.25 OVER	0.5 UNDER	± 0.05	KCHIKANO	2014/12/25	1.0 WIRE TO BOARD CONN. WAFER ASS'Y 1-ROW R/A EMBSTP PKG molex		
	0.5 OVER	1.0 UNDER	± 0.1	CHECKED BY	DATE			
	1.0 OVER	10 UNDER	± 0.2	KASAKAWA	2014/12/25	MATERIAL NO. SEE SHEET 3 DOCUMENT NO. SD-501953-004 SHEET NO. 1 OF 3		
	10 OVER	30 UNDER	± 0.25	APPROVED BY	DATE			
30 OVER		± 0.3	NUKITA	2015/01/16				
ANGULAR	± 3 °		MATERIAL NO. SEE SHEET 3			DOCUMENT NO. SD-501953-004		
DRAFT WHERE APPLICABLE MUST REMAIN WITHIN DIMENSIONS				SIZE A3	THIS DRAWING CONTAINS INFORMATION THAT IS PROPRIETARY TO MOLEX ELECTRONIC TECHNOLOGIES, LLC AND SHOULD NOT BE USED WITHOUT WRITTEN PERMISSION			

CONFIDENTIAL




7.3	5
6.3	4
5.3	3
(A)	極数 CIRCUITS

CONNECTOR SERIES No. 501953-***6

REVISED EC NO: J2016-1063 DRWR: TANKA02 2016/04/07 CHKD: SAKIYAMA 2016/04/08 APPR: KANEKO 2016/04/28	GENERAL TOLERANCES (UNLESS SPECIFIED)		DIMENSION STYLE MM ONLY		SCALE ---	DESIGN UNITS METRIC	THIRD ANGLE PROJECTION
	0.25 UNDER	UNDER	±0.03	DRAWN BY KCHIKANO	DATE 2014/12/25	TITLE 1.0 WIRE TO BOARD CONN. WAFER ASS'Y 1-ROW R/A EMBSTP PKG	
	0.25 OVER	0.5 UNDER	±0.05	CHECKED BY KASAKAWA	DATE 2014/12/25		
	0.5 OVER	1.0 UNDER	±0.1	APPROVED BY NUKITA	DATE 2015/01/16		
	1.0 OVER	10 UNDER	±0.2	MATERIAL NO.	DOCUMENT NO.	SHEET NO.	
10 OVER	30 UNDER	±0.25	SEE SHEET 3		SD-501953-004		2 OF 3
30 OVER		±0.3	SIZE A3		THIS DRAWING CONTAINS INFORMATION THAT IS PROPRIETARY TO MOLEX ELECTRONIC TECHNOLOGIES, LLC AND SHOULD NOT BE USED WITHOUT WRITTEN PERMISSION		
ANGULAR		±3 °	DRAFT WHERE APPLICABLE MUST REMAIN WITHIN DIMENSIONS				

CONFIDENTIAL

	紫 VIOLET	橙 ORANGE	茶 BROWN	緑 GREEN	色 COLOR
					5
					4
					3
	EMBOSSED PACKAGE	EMBOSSED PACKAGE	EMBOSSED PACKAGE	EMBOSSED PACKAGE	極数
	オーダー番号 ORDER NO.	オーダー番号 ORDER NO.	オーダー番号 ORDER NO.	オーダー番号 ORDER NO.	CIRCUITS
CONNECTOR SERIES No. 501953-***9					
	青 BLUE	黄 YELLOW	赤 RED	黒 BLACK	自然色 NATURAL
					501953-0505
					501953-0405
					501953-0305
	EMBOSSED PACKAGE	EMBOSSED PACKAGE	EMBOSSED PACKAGE	EMBOSSED PACKAGE	極数
	オーダー番号 ORDER NO.	オーダー番号 ORDER NO.	オーダー番号 ORDER NO.	オーダー番号 ORDER NO.	CIRCUITS

REVISED EC NO: J2016-1063 DRWR: TANKA02 CHKD: SAKIYAMA APPR: KANEKO	2016/04/07 2016/04/08 2016/04/28	GENERAL TOLERANCES (UNLESS SPECIFIED)			DIMENSION STYLE MM ONLY		SCALE ---	DESIGN UNITS METRIC	THIRD ANGLE PROJECTION
		0.25 UNDER	UNDER	±0.03	DRAWN BY	DATE	TITLE		
		0.25 OVER	0.5 UNDER	±0.05	KCHIKANO	2014/12/25	1.0 WIRE TO BOARD CONN. WAFER ASS'Y 1-ROW R/A EMBSTP PKG		
		0.5 OVER	1.0 UNDER	±0.1	CHECKED BY	DATE			
		1.0 OVER	10 UNDER	±0.2	KASAKAWA	2014/12/25			
10 OVER	30 UNDER	±0.25	APPROVED BY	DATE					
30 OVER		±0.3	NUKITA	2015/01/16	MATERIAL NO.	DOCUMENT NO.	SHEET NO.		
ANGULAR ±3 °			SEE CHART		SD-501953-004		3 OF 3		
DRAFT WHERE APPLICABLE MUST REMAIN WITHIN DIMENSIONS				SIZE A3	THIS DRAWING CONTAINS INFORMATION THAT IS PROPRIETARY TO MOLEX ELECTRONIC TECHNOLOGIES, LLC AND SHOULD NOT BE USED WITHOUT WRITTEN PERMISSION				