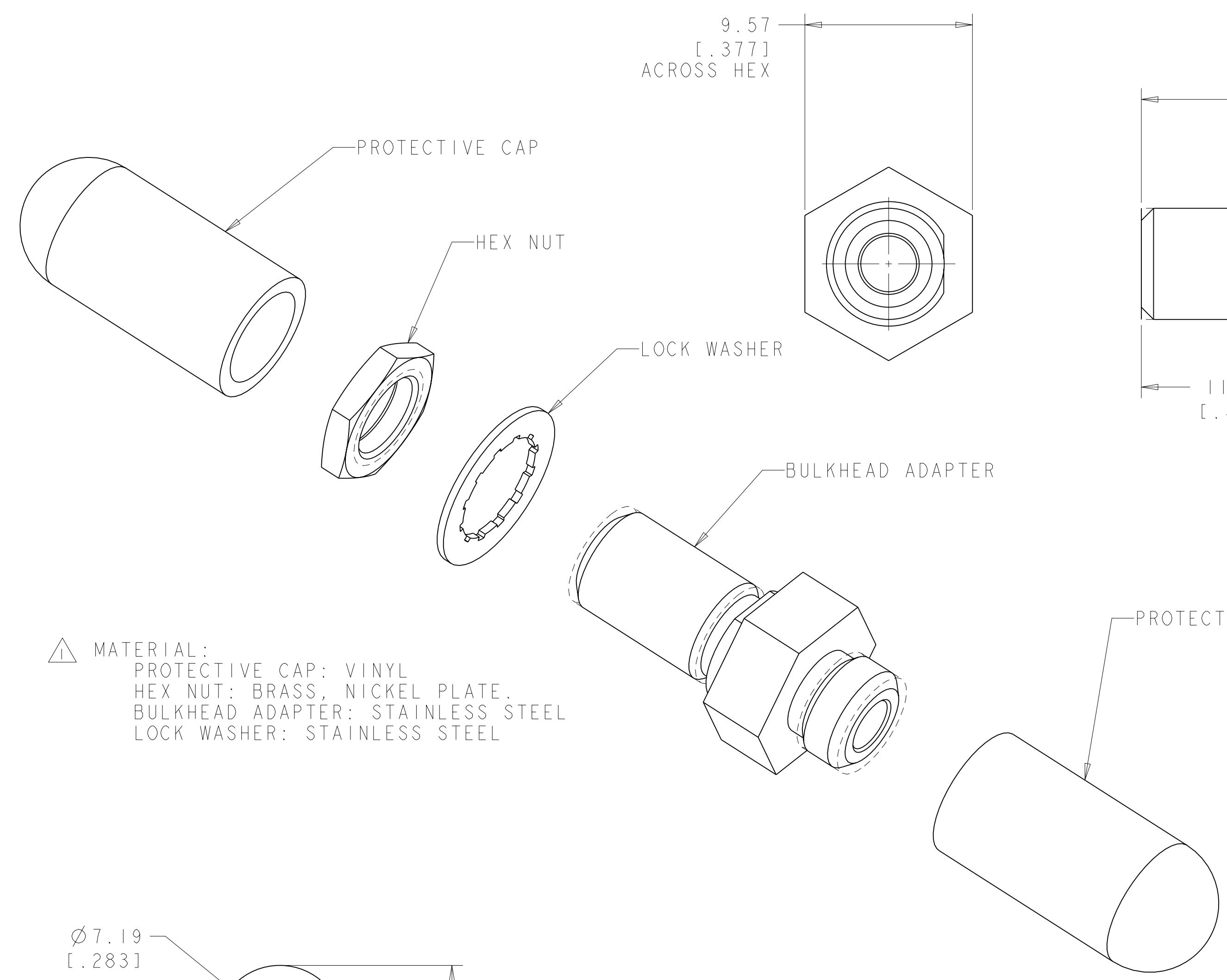
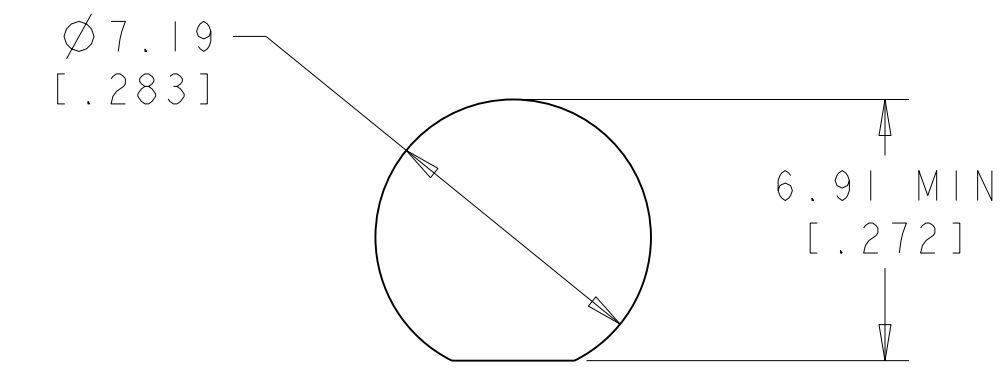


THIS DRAWING IS UNPUBLISHED. RELEASED FOR PUBLICATION 20  
 © COPYRIGHT 20 BY TYCO ELECTRONICS CORPORATION. ALL RIGHTS RESERVED.

LOC	DIST	REVISIONS					
CE	00	P	LTR	DESCRIPTION	DATE	DWN	APVD
		F		REVISE PER ECR-05-009613	29SEP2005	BB	LS



⚠ MATERIAL:  
 PROTECTIVE CAP: VINYL  
 HEX NUT: BRASS, NICKEL PLATE.  
 BULKHEAD ADAPTER: STAINLESS STEEL  
 LOCK WASHER: STAINLESS STEEL



RECOMMENDED PANEL CUTOUT PATTERN  
 5.3 [.208] MAX PANEL THICKNESS

⚠	504023-1
MATERIAL	PART NUMBER

<small>THIS DRAWING IS A CONTROLLED DOCUMENT FOR TYCO ELECTRONICS CORPORATION. IT IS SUBJECT TO CHANGE AND THE CONTROLLING ENGINEERING ORGANIZATION SHOULD BE CONTACTED FOR THE LATEST REVISION.</small>		DWN B. BRIGGS	29SEP2005	<b>tyco</b> Tyco Electronics Harrisburg, PA 17105-3608
DIMENSIONS: INCHES		CHK L. SAUERWEIN	29SEP2005	
		APVD S. BUCHTER	29SEP2005	
TOLERANCES UNLESS OTHERWISE SPECIFIED: 0 PLC ± 1 PLC ± 2 PLC ± 3 PLC ± 4 PLC ± ANGLES ±		PRODUCT SPEC APPLICATION SPEC WEIGHT		NAME BULKHEAD ASSEMBLY, FSMA ADAPTER, D HOLE MOUNT
MATERIAL ⚠		FINISH		SIZE A200779
CUSTOMER DRAWING		DRAWING NO C=504023		RESTRICTED TO -
		SCALE 5:1		SHEET 1 OF 1 REV F