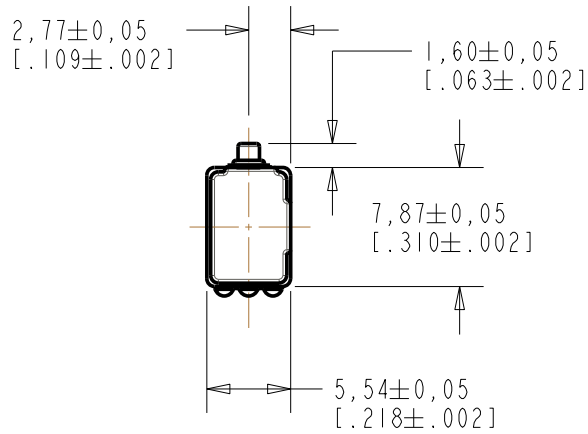
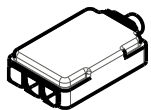
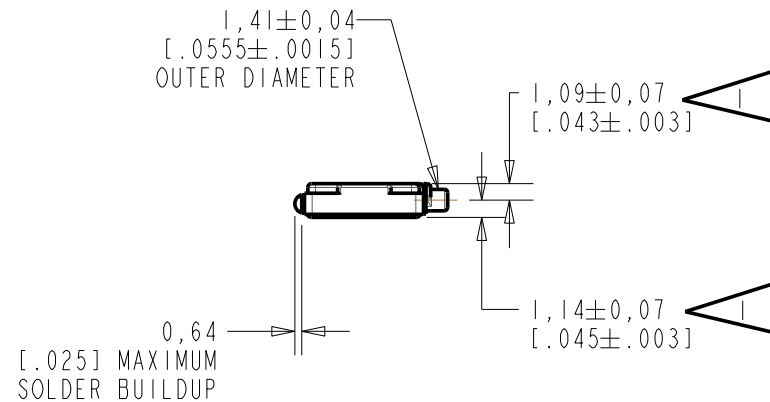
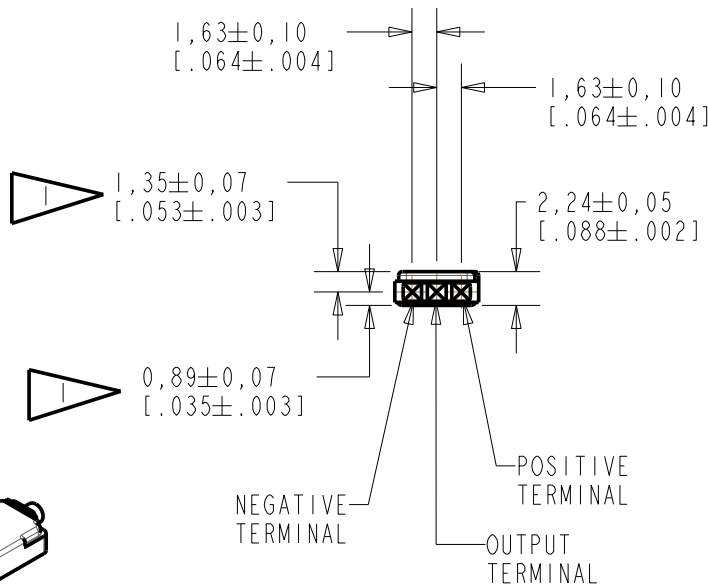


BL-21785-000
SHT 1.1



NOTES:
 ▴ LOCATED FROM TWO SURFACES FOR CUSTOMER CONVENIENCE. ONLY APPLICABLE FROM ONE SURFACE, NOT TO BE USED TOGETHER. HORIZONTAL LOCATION FOR TERMINAL CENTERED TO ±0,17 [.007].



NOMINAL WEIGHT
 .28 GRAMS

DIMENSIONS IN MILLIMETERS [INCHES]

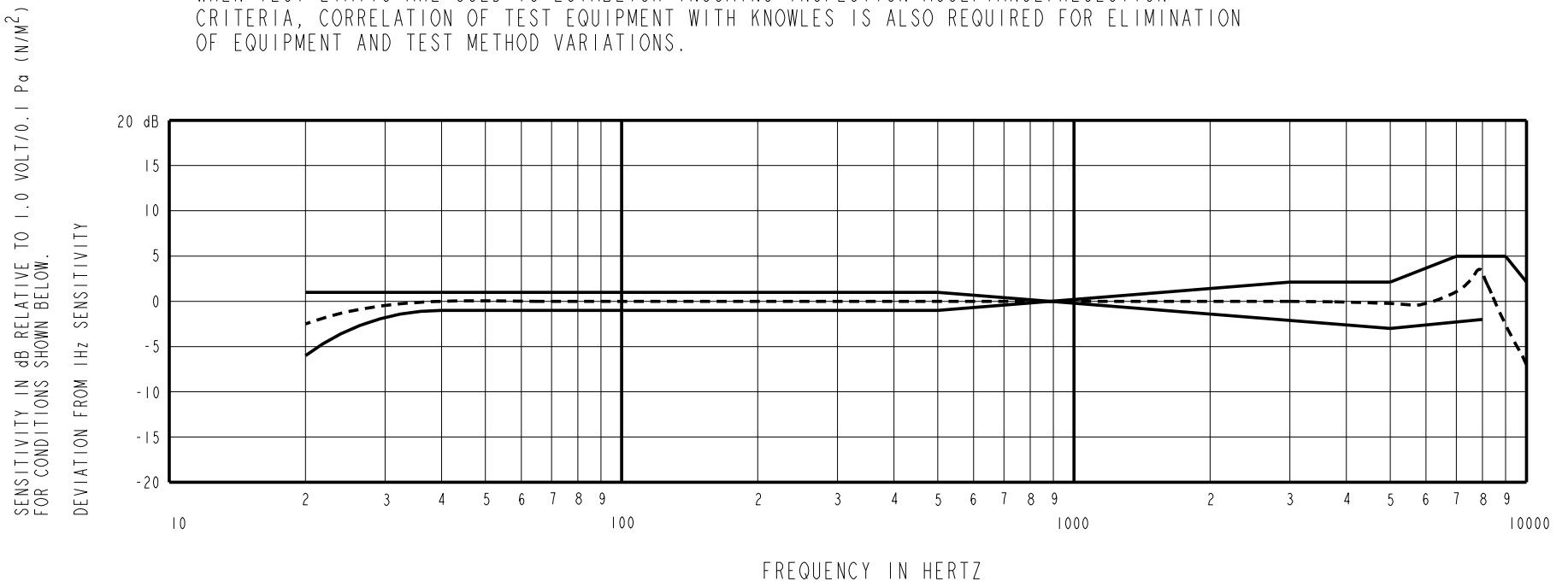
| Revision | C.O. # | Implementation Date | RELEASE LEVEL | REVISION |
|----------|-----------|---------------------|---------------|----------|
| C | C10108524 | 12-25-08 | Active | C |
| B | M10101210 | 11-7-06 | | |
| A | M10101208 | 10-17-06 | | |

| | | | |
|--------------------------|--|---------|----------|
| SCALE: 2:1 | | DR. BY | DATE |
| DO NOT SCALE DRAWING | | AB | 10-17-06 |
| TITLE: MICROPHONE | | CK. BY | DATE |
| BL-21785-000 | | GJP | 11-6-06 |
| OUTLINE DRAWING | | APP. BY | DATE |
| SHT 1.1 | | GJP | 11-6-06 |

KNOWLES ELECTRONICS
 ITASCA, ILLINOIS U.S.A.

NOTES:

WHEN TEST LIMITS ARE USED TO ESTABLISH INCOMING INSPECTION ACCEPTANCE/REJECTION CRITERIA, CORRELATION OF TEST EQUIPMENT WITH KNOWLES IS ALSO REQUIRED FOR ELIMINATION OF EQUIPMENT AND TEST METHOD VARIATIONS.



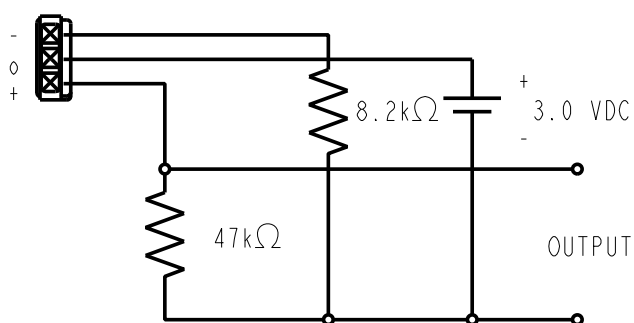
| FREQUENCY | SENSITIVITY | | | DEVICE CONFORMITY | |
|-----------|-------------|-------|-------|-------------------------------|------|
| | MIN. | NOM. | MAX. | RANGE OF DEVIATION FROM 3 kHz | |
| 20 | --- | -71.5 | --- | -6.0 | +1.0 |
| 25 | --- | -70.0 | --- | -2.5 | --- |
| 31 | --- | -69.5 | --- | -1.5 | --- |
| 40 | --- | -69.0 | --- | -1.0 | --- |
| 500 | --- | -69.0 | --- | -1.0 | +1.0 |
| 1000 | -72.0 | -69.0 | -66.0 | 0.0 | 0.0 |
| 3000 | --- | -69.0 | --- | -2.0 | +2.0 |
| 5000 | --- | -69.5 | --- | -3.0 | +2.0 |
| 7000 | --- | -68.0 | --- | --- | +5.0 |
| 8000 | --- | -67.5 | --- | -2.0 | +5.0 |
| 9000 | --- | -73.0 | --- | --- | +5.0 |
| 10000 | --- | -79.0 | --- | --- | +2.0 |

NOTES:

1. CASE CONNECTED TO NEGATIVE TERMINAL.

| PORT LOCATION | DC SUPPLY | BATTERY CURRENT DRAIN | "A" WEIGHTED NOISE (1 kHz EQUIV. SPL) IN 3 WIRE MODE | OUTPUT IMPEDANCE OHMS | | | V _L AT OUTPUT IN SOURCE FOLLOWER MODE | |
|---------------|-----------|-----------------------|--|-----------------------|------|------|--|---------|
| | | | | MIN. | NOM. | MAX. | MIN. | MAX. |
| 12S | 1.3 V | 160 μA MAX. | 34 dB MAX. | --- | 4000 | --- | 0.9 VDC | 1.9 VDC |

TEST CONDITIONS



SOURCE FOLLOWER MODE

| Revision | C.O. # | Implementation Date | RELEASE LEVEL | REVISION |
|----------|-----------|---------------------|---------------|----------|
| C | C10108524 | 12-25-08 | Active | C |
| B | M10101210 | 11-7-06 | | |
| A | M10101208 | 10-17-06 | | |

| | | | |
|--|--|---------|----------|
| WHEN TEST LIMITS ARE USED TO ESTABLISH INCOMING INSPECTION ACCEPTANCE/REJECTION CRITERIA, CORRELATION OF TEST EQUIPMENT WITH KNOWLES IS ALSO REQUIRED FOR ELIMINATION OF EQUIPMENT AND TEST METHOD VARIATION | | DR. BY | DATE |
| | | AB | 10-17-06 |
| | | CK. BY | DATE |
| | | GJP | 11-6-06 |
| | | APP. BY | DATE |
| | | GJP | 11-6-06 |

| | | |
|--------|---------------------------|--------------|
| TITLE: | MICROPHONE | BL-21785-000 |
| | PERFORMANCE SPECIFICATION | SHT 2.1 |

KNOWLES ELECTRONICS
ITASCA, ILLINOIS U.S.A.