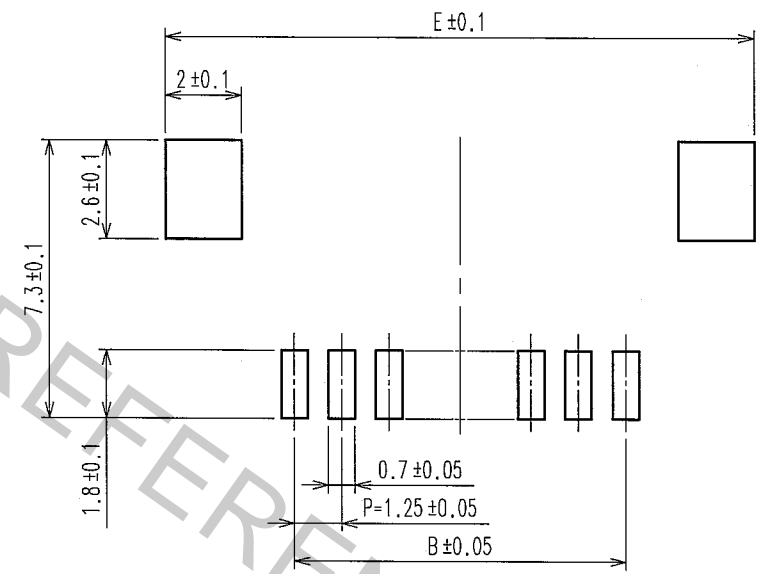


COUNT	DESCRIPTION OF REVISIONS	BY	CHKD	DATE	COUNT	DESCRIPTION OF REVISIONS	BY	CHKD	DATE
△					△				
△					△				
△					△				

PART NO.	HRS NO.	CONTACTS	A	B	C	D	E
DF14A- 2P-1.25H(26)	CL538-0033-3-26	2	7.45	1.25	2.95	3.65	8.05
DF14A- 3P-1.25H(26)	CL538-0034-6-26	3	8.70	2.50	4.20	4.90	9.30
DF14A- 4P-1.25H(26)	CL538-0035-9-26	4	9.95	3.75	5.45	6.15	10.55
DF14A- 5P-1.25H(26)	CL538-0036-1-26	5	11.20	5.00	6.70	7.40	11.80
DF14A- 6P-1.25H(26)	CL538-0037-4-26	6	12.45	6.25	7.95	8.65	13.05
DF14A- 7P-1.25H(26)	CL538-0038-7-26	7	13.70	7.50	9.20	9.90	14.30
DF14A- 8P-1.25H(26)	CL538-0039-0-26	8	14.95	8.75	10.45	11.15	15.55
DF14A- 9P-1.25H(26)	CL538-0040-9-26	9	16.20	10.00	11.70	12.40	16.80
DF14A-10P-1.25H(26)	CL538-0041-1-26	10	17.45	11.25	12.95	13.65	18.05
DF14A-15P-1.25H(26)	CL538-0114-3-26	15	23.70	17.50	19.20	19.90	24.30
DF14A-20P-1.25H(26)	CL538-0119-7-26	20	29.95	23.75	25.45	26.15	30.55
DF14A-25P-1.25H(26)	CL538-0124-7-26	25	36.20	30.00	31.70	32.40	36.80
DF14A-30P-1.25H(26)	CL538-0045-2-26	30	42.45	36.25	37.95	38.65	43.05

RECOMMENDED PATTERN

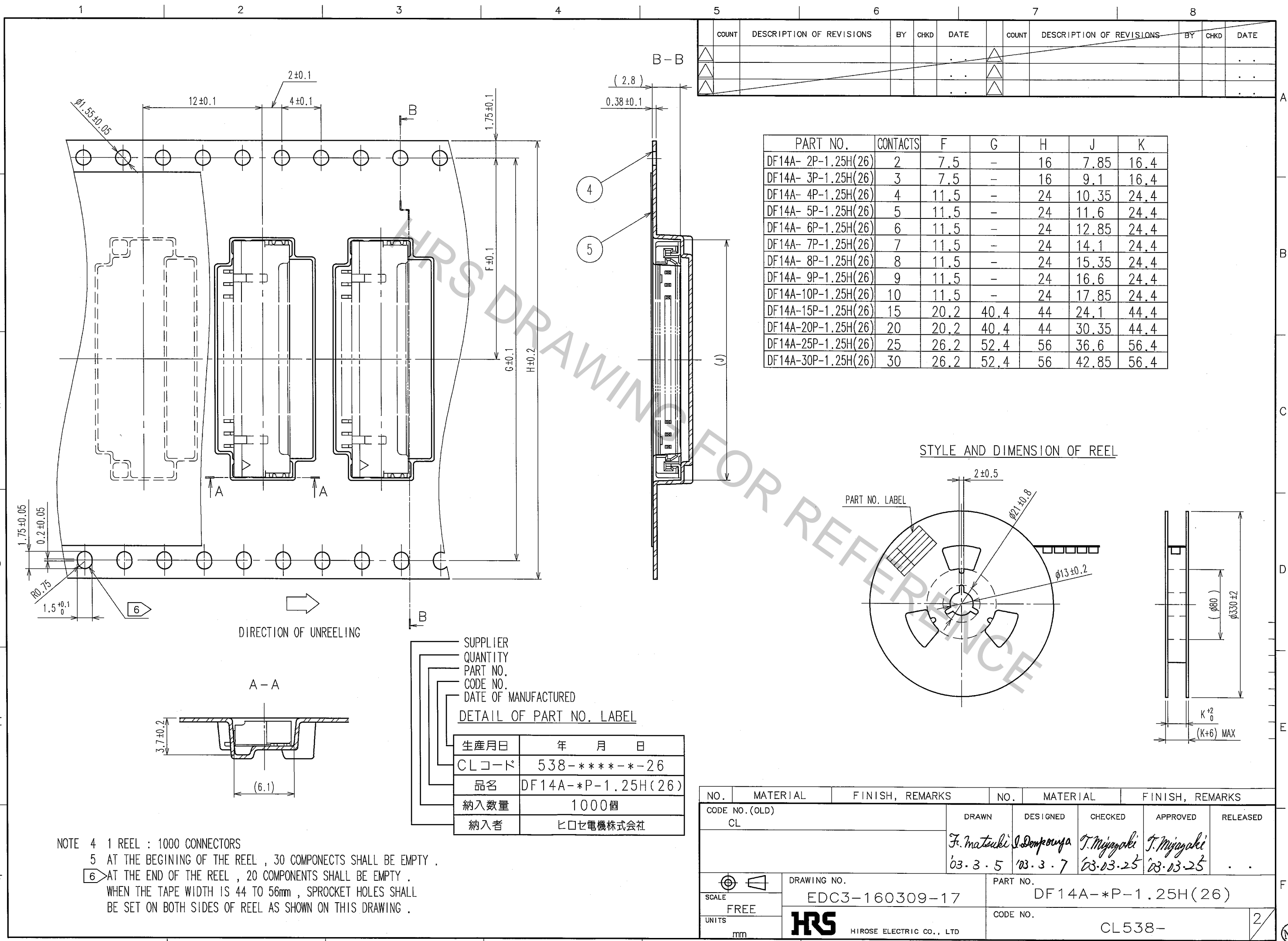


NOTE 1. LEAD CO-PLANALITY INCLUDE REINFORCED METAL FITTINGS SHALL BE 0.1 MAX.  
 2. WHEN THIS CONNECTOR MATES WITH DF14-\*S-1.25C, THE MATTING LENGTH IS 7.3mm.  
 3. FOR CONNECTORS, 2 OR 3 CONTACTS, SIMPLIFIED LOCK HOLE SHALL BE SET AT THE CENTER OF HOUSING.

3	PHOSPHOR BRONZE	TIN-COPPER PLATED 1μ m min UNDER PLATING:NICKEL PLATED 0.5μ m min	5	POLYESTER	CLEAR(COVER TAPE)
2	BRASS	TIN-COPPER PLATED 1μ m min UNDER PLATING:NICKEL PLATED 0.5μ m min	4	A-PET	CLEAR (EMBOSSED CARRIER TAPE)
1	POLYAMIDE	BEIGE, UL94V-0			
NO.	MATERIAL	FINISH, REMARKS	NO.	MATERIAL	FINISH, REMARKS
CODE NO. (OLD) CL			DRAWN	DESIGNED	CHECKED
			APPROVED		
			RELEASED		
			F. Matsuda J. Denpouya T. Miyazaki T. Miyazaki '03. 3. 5 '03. 3. 7 '03. 03. 25 '03. 03. 25		
DRAWING NO. EDC3-160309-17			PART NO. DF14A-*P-1.25H(26)		
SCALE 5 : 1			CODE NO. CL538-		
UNITS mm			HRS HIROSE ELECTRIC CO., LTD		

TO

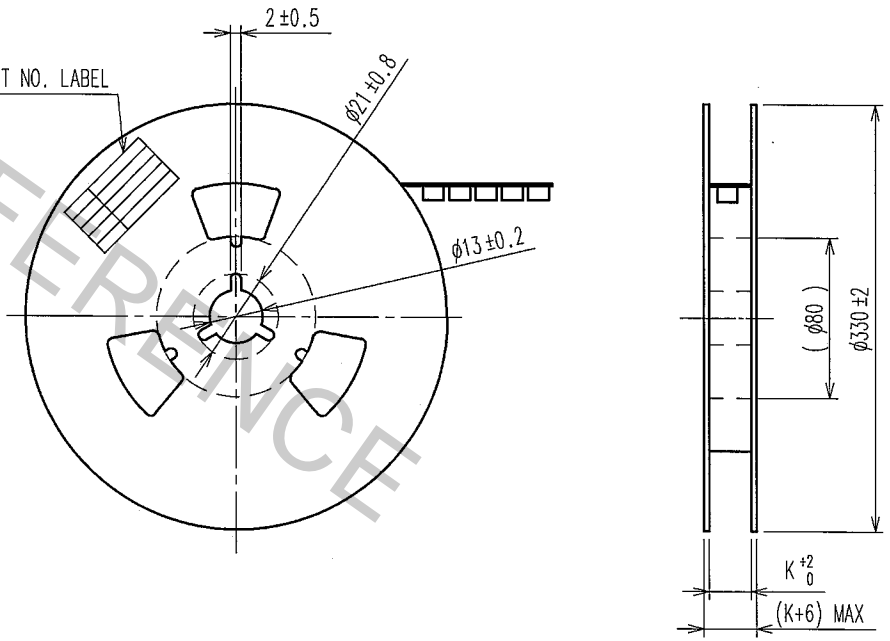
Apr.1.2017 Copyright 2017 HIROSE ELECTRIC CO., LTD. All Rights Reserved.



COUNT	DESCRIPTION OF REVISIONS	BY	CHKD	DATE	COUNT	DESCRIPTION OF REVISIONS	BY	CHKD	DATE

PART NO.	CONTACTS	F	G	H	J	K
DF14A- 2P-1.25H(26)	2	7.5	-	16	7.85	16.4
DF14A- 3P-1.25H(26)	3	7.5	-	16	9.1	16.4
DF14A- 4P-1.25H(26)	4	11.5	-	24	10.35	24.4
DF14A- 5P-1.25H(26)	5	11.5	-	24	11.6	24.4
DF14A- 6P-1.25H(26)	6	11.5	-	24	12.85	24.4
DF14A- 7P-1.25H(26)	7	11.5	-	24	14.1	24.4
DF14A- 8P-1.25H(26)	8	11.5	-	24	15.35	24.4
DF14A- 9P-1.25H(26)	9	11.5	-	24	16.6	24.4
DF14A-10P-1.25H(26)	10	11.5	-	24	17.85	24.4
DF14A-15P-1.25H(26)	15	20.2	40.4	44	24.1	44.4
DF14A-20P-1.25H(26)	20	20.2	40.4	44	30.35	44.4
DF14A-25P-1.25H(26)	25	26.2	52.4	56	36.6	56.4
DF14A-30P-1.25H(26)	30	26.2	52.4	56	42.85	56.4

STYLE AND DIMENSION OF REEL



SUPPLIER  
QUANTITY  
PART NO.  
CODE NO.  
DATE OF MANUFACTURED  
DETAIL OF PART NO. LABEL

生産月日	年 月 日
CLコード	538-*****-26
品名	DF14A-*P-1.25H(26)
納入数量	1000個
納入者	ヒロセ電機株式会社

NO.	MATERIAL	FINISH, REMARKS	NO.	MATERIAL	FINISH, REMARKS
CODE NO. (OLD)	CL		DRAWN	DESIGNED	CHECKED
			F. Matsuiki	S. Dompouya	T. Miyazaki
			03.3.5	03.3.7	03.03.25
					T. Miyazaki
					03.03.25
SCALE	FREE	DRAWING NO.	PART NO.		
		EDC3-160309-17	DF14A-*P-1.25H(26)		
UNITS	mm		CODE NO.	CL538-	
				2	

NOTE 4 1 REEL : 1000 CONNECTORS  
 5 AT THE BEGINING OF THE REEL , 30 COMPONECTS SHALL BE EMPTY .  
 6 AT THE END OF THE REEL , 20 COMPONENTS SHALL BE EMPTY .  
 WHEN THE TAPE WIDTH IS 44 TO 56mm , SPROCKET HOLES SHALL BE SET ON BOTH SIDES OF REEL AS SHOWN ON THIS DRAWING .

TO

(NC)