

## iW1818-EVAL

### Evaluation Board for 10W Single-Output Switch-Mode Power Supply

#### 1 Description

The iW1818-EVAL evaluation board implements a 10W power supply based on Dialog Semiconductor's iW1818 **AccuSwitch™** digital off-line power supply controller IC. The evaluation board supplies a 5V, 2A regulated output voltage using a primary-side controlled quasi-resonant flyback converter that meets the U.S. Department of Energy's most recent level VI efficiency standard and the EU's Code of Conduct, Version 5, Tier 2 standard for both active mode and no-load standby power consumption.

The iW1818 controller integrates an 800V power BJT transistor to lower the power supply BOM cost and uses Dialog's advanced **PrimAccurate™** digital control technology to eliminate the need for external secondary-side feedback components, further reducing component count and cost, while improving reliability. It operates in quasi-resonant mode to improve efficiency and help meet EMI standards. This quasi-resonant operation and Dialog's **EZ-EMI®** technology enable excellent EMI performance with minimal external filtering. Proprietary control technology allows high efficiency across a broad range of loads, which enables the iW1818 to meet stringent international standards for power supply efficiency.



#### 2 Features

- Wide input voltage range: 90V<sub>AC</sub> to 264V<sub>AC</sub>
- Output voltage: 5V
- Output current: 2A
- Total output power: 10W max.
- Integrated 800V BJT
- Active mode efficiency > 80%
- Supports high capacitance loads up to 6,000µF
- Low no-load power: < 50mW (at 230 V<sub>AC</sub>)
- **EZ-EMI®** technology: excellent EMI performance with a minimum of EMI filtering components
- Quasi-resonant operation
- Low component count and small PCB footprint
- iW1818 IC protections:
  - » Output short-circuit, over-current, over-voltage
  - » Input voltage protection: brown-out, brown-in, unplug
  - » Over-temperature protection - internal sensor

#### 3 Applications

- Power Supplies for:
  - » White Goods
  - » Home Appliances
  - » Industrial Control
  - » Network Devices

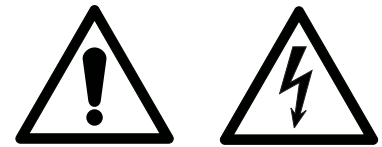
Evaluation Board for 10W Single-Output  
Switch-Mode Power Supply

**WARNING**

**Disclaimer for High Voltage (Mains Powered) Evaluation Boards**

**Warning**

This evaluation board is powered by AC mains voltage. When powered, this evaluation board generates non-insulated high voltages which may produce electrical shock, burn, and/or fire hazards, resulting in risk of property damage, personal injury, and/or death.



**When the evaluation board is powered, never touch the board or its electrical circuits since they may be operating at high voltages that can cause an electrical shock hazard.**

**TO BE USED FOR EVALUATION PURPOSES ONLY**

This board is intended for evaluation purposes only and not intended for commercial use in an end product. Any other use is strictly prohibited by Dialog Semiconductor.

**WORK AREA AND PERSONAL SAFETY**

This board should be used in a test area/laboratory specifically designed and designated for working with, and evaluating high-voltage electrical devices. Only trained and qualified professional personnel with experience, knowledge and training in the use of high-voltage electrical circuits should use this evaluation board. Trained personnel must use required personal protective equipment and required laboratory equipment when working with the evaluation board.

The professional personnel operating this evaluation board and the test area/laboratory in which it is operated must be qualified according to the local regulations, guidelines and labor laws applicable to working with non-isolated mains voltages and high voltage circuits.

An isolated housing is highly recommended when using this evaluation board.

Use this evaluation board at your own risk.

**NOT AGENCY APPROVED**

This evaluation board has not been agency tested or approved for safety, technical performance, and/or regulatory requirements, such as electromagnetic interference or other technical regulatory or safety requirements.

## Evaluation Board for 10W Single-Output Switch-Mode Power Supply

### 4 Evaluation Board Specifications

The table below shows the electrical specifications of the evaluation board specified at  $T_A = 25^\circ\text{C}$ , unless otherwise noted.

| Description                         | Symbol   | Min  | Typ   | Max  | Units             | Comment  |
|-------------------------------------|--|------|-------|------|-------------------|--|
| <b>Input</b>                        |  |      |       |      |                   |  |
| Voltage                             | $V_{IN}$   | 90   |       | 264  | $V_{AC}$          | 2 wire   |
| Frequency                           | $f_{LINE}$   | 47   | 50/60 | 63   | Hz                |  |
| No-load input power (230 $V_{AC}$ ) |  |      |       | 50   | mW                |  |
| <b>Output</b>                       |  |      |       |      |                   |  |
| Output voltage                      | $V_{OUT}$  | 4.75 | 5.00  | 5.25 | V                 | Measured at the end of PCB   |
| Output current                      | $I_{OUT}$  | 0    |       | 2    | A                 |  |
| Output ripple voltage               | $V_{RIPPLE}$   |      |       | 200  | mV <sub>P-P</sub> | Connected with 10 $\mu\text{F}$ E-cap and 100nF C-cap; $I_{OUT} = 2\text{A}@T_A = 25^\circ\text{C}$<br>20MHz Bandwidth |
| <b>Total Output Power</b>           |  |      |       |      |                   |  |
| Continuous output power             | $P_{OUT}$  |      | 10    |      | W                 |  |
| Over current protection             | OCP  |      |       | 2.8  | A                 | Auto-restart   |
| Active mode efficiency              | $\eta$   | 80.7 |       |      | %                 | Average of efficiency measured at 25%/50%/75%/100%<br>$V_{IN} = 115V_{AC}$   |
| <b>Environmental</b>                |  |      |       |      |                   |  |
| Safety (Note 1)                     | Designed to Meet UL1310 (up to 120 $V_{AC}$ )<br>Designed to Meet EN60335-1:2012 |      |       |      |                   |  |
| Ambient temperature                 | $T_{AMB}$  | 0    |       | 40   | $^\circ\text{C}$  | Free convection, sea level   |

Note 1: The iW1818-EVAL has been designed to meet EN60335-1:2012 and UL1310 (up to 120 $V_{AC}$ ), however individual boards have not been tested or verified to these standards.

Evaluation Board for 10W Single-Output Switch-Mode Power Supply

5 Schematic

The schematic shown in Figure 5.1 is the complete schematic for the evaluation board. The specific part numbers can be found in the Bill-of-Materials in section 6.

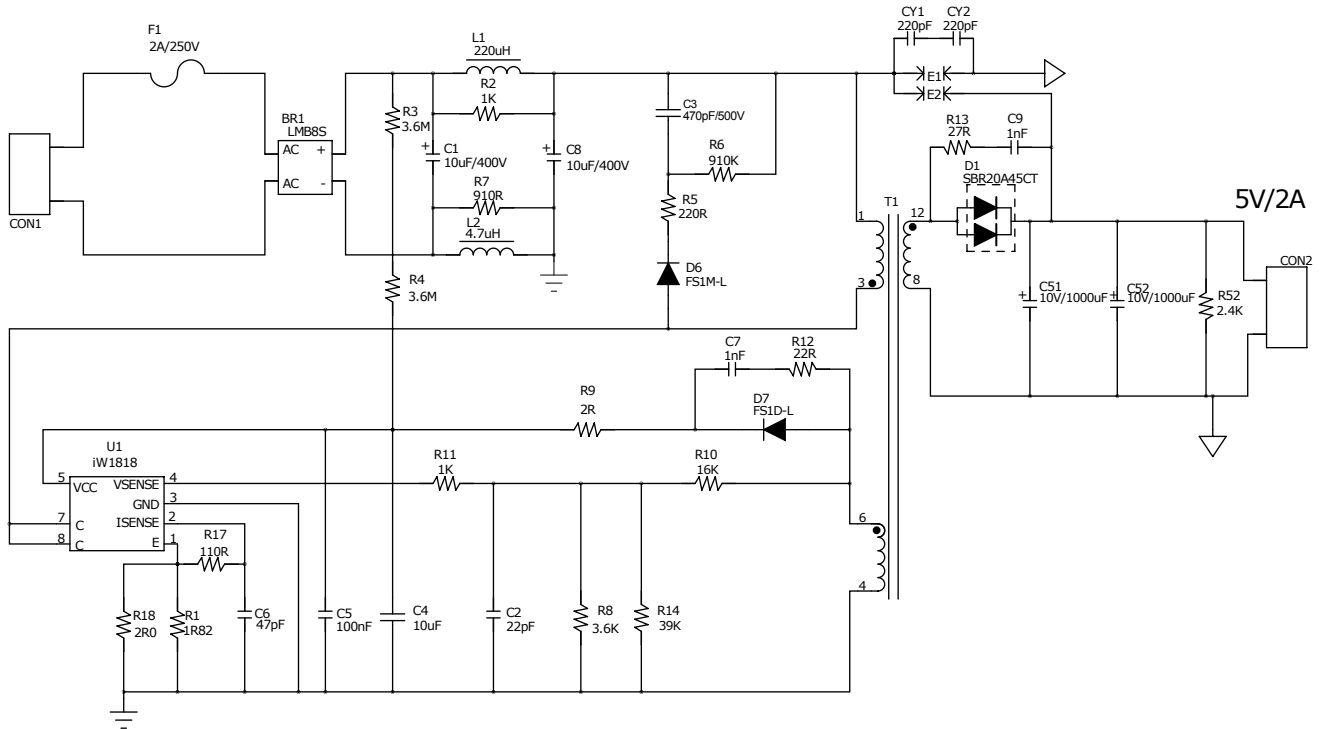


Figure 5.1 : Complete Evaluation Board Schematic for the iW1818-EVAL Board.

## Evaluation Board for 10W Single-Output Switch-Mode Power Supply

### 6 Bill of Materials

Table 1: Bill-of-Materials List for EVB iW1818-EVAL

| Item | Qty. | Ref.      | Description   | Footprint    | Mfg. Part Number   | Manufacturer                      |
|------|------|-----------|---|--------------|--------------------|-----------------------------------|
| 1    | 1    | U1        | iW1818, Off-line digital PWM Controller with 4A/800V BJT co-packed, DIP 7                             | DIP-7        | iW1818-00          | Dialog Semiconductor              |
| 2    | 1    | BR1       | LMB8S,800V,1A,Bridge rectifier  | LMBS -1      | LMB8S-TP           | Micro Commercial Components Corp. |
| 3    | 2    | C1, C8    | CAP ALUM 10uF 20%,400V, $\Phi$ 10X16mm, Lead Spacing: 5mm   | 10mmx16mm    | EKXJ401ELL100MJ16S | Nippon Chemi-Con                  |
| 4    | 1    | C2        | 22pF,25V,NPO,SMD-0603   | 0603         | CC603JRNPO8BN220   | YAGEO Corporation                 |
| 5    | 1    | C3        | 470pF,500V,X7R,SMD-1206   | 1206         | CC1206KKX7RBBBB471 | YAGEO Corporation                 |
| 6    | 1    | C4        | 10uF 10%,50V,X5R,SMD-1206   | 1206         | GRM31CR61H106KA12L | Murata Electronics                |
| 7    | 1    | C5        | 100nF 10%,50V,X7R,SMD-0805  | 0805         | CC0805KRX7R9BB104  | YAGEO Corporation                 |
| 8    | 1    | C6        | 47pF 10%,10V,SMD-0603   | 0603         | CC0603KRNPO9BN470  | YAGEO Corporation                 |
| 9    | 2    | C7,C9     | 1nF 10%,100V,X7R,SMD-0805   | 0805         | CC0805KRX7R0BB102  | YAGEO Corporation                 |
| 10   | 2    | CY1,CY2   | 220pF,250V ,Y-cap   | Radial, Disc | DE1B3KX221KN4AN01F | Murata Electronics                |
| 11   | 2    | C51,C52   | 1000uF,10V, $\Phi$ 8X20,E-CAP   | CE8X15       | UPA1A102MPD1TD     | Nichicon                          |
| 12   | 1    | D1        | SBR20A45CT,20A,45V  | TO-220AB     | SBR20A45CT         | Diodes Incorporated               |
| 13   | 1    | D6        | FS1M-L, 1A1000V,Fast Recovery Rectifier (Trr=500ns)   | DO-214AC     | FS1M-LTP           | Micro Commercial Components Corp. |
| 14   | 1    | D7        | FS1D-L, 1A200V,Fast Recovery Rectifier (Trr=150ns)  | DO-214AC     | FS1D-LTP           | Micro Commercial Components Corp. |
| 15   | 1    | F1        | 2A,250V, Fuse, $\Phi$ 3.6X10mm  | Axial-3.6x10 | 0874002.MXEP       | Littelfuse Inc.                   |
| 16   | 1    | L1        | 220uH,155mA,Color Ring Inductor, 0410   | Axial-04x10  | 77F221J-TR-RC      | Bourns Inc.                       |
| 17   | 1    | L2        | 4.7uH,Chip Inductor(Chip Coil)  | 0805         | LQM21FN4R7M80L     | Murata Electronics                |
| 18   | 1    | R1        | 1.82 $\Omega$ $\pm$ 1%,SMD-1206   | 1206         | RC1206FR-071R82L   | YAGEO Corporation                 |
| 19   | 1    | R2        | 1K $\Omega$ $\pm$ 5%,SMD-0805   | 0805         | RC0805JR-071KL     | YAGEO Corporation                 |
| 20   | 2    | R3,R4     | 3.6M $\Omega$ $\pm$ 5%,SMD-1206   | 1206         | RC1206JR-073M6L    | YAGEO Corporation                 |
| 21   | 1    | R5        | 220 $\Omega$ $\pm$ 5%,SMD-1206  | 1206         | RC1206JR-07220RL   | YAGEO Corporation                 |
| 22   | 1    | R6        | 910K $\Omega$ $\pm$ 5%,SMD-1206   | 1206         | RC1206JR-07910KL   | YAGEO Corporation                 |
| 23   | 1    | R7        | 910 $\Omega$ $\pm$ 5%,SMD-0805  | 0805         | RC0805JR-07910RL   | YAGEO Corporation                 |
| 24   | 1    | R8        | 3.6K $\Omega$ $\pm$ 1%,SMD-0603   | 0603         | RC0603FR-073K6L    | YAGEO Corporation                 |
| 25   | 1    | R9        | 2 $\Omega$ $\pm$ 5%,SMD-0603  | 0603         | RC0603JR-072RL     | YAGEO Corporation                 |
| 26   | 1    | R10       | 16K $\Omega$ $\pm$ 1%,SMD-0603  | RS0603       | RC0603FR-0716KL    | YAGEO Corporation                 |
| 27   | 1    | R11       | 1K $\Omega$ $\pm$ 5%,SMD-0603   | 0603         | RC0603JR-071KL     | YAGEO Corporation                 |
| 28   | 1    | R12       | 22 $\Omega$ $\pm$ 5%,SMD-0805   | 0805         | RC0805JR-0722RL    | YAGEO Corporation                 |
| 29   | 1    | R13       | 27 $\Omega$ $\pm$ 5%,SMD-0805   | 0805         | RC0805JR-0727RL    | YAGEO Corporation                 |
| 30   | 1    | R14       | 39K $\Omega$ $\pm$ 1%,SMD-0603  | 0603         | RC0603FR-0739KL    | YAGEO Corporation                 |
| 31   | 1    | R17       | 110 $\Omega$ $\pm$ 5%,SMD-0603  | 0603         | RC0603JR-07110RL   | YAGEO Corporation                 |
| 32   | 1    | R18       | 2.0 $\Omega$ $\pm$ 1%,SMD-1206  | 1206         | RC1206FR-072RL     | YAGEO Corporation                 |
| 33   | 1    | R52       | 2.4K $\Omega$ $\pm$ 5%,SMD-0805   | 0805         | RC0805JR-072K4L    | YAGEO Corporation                 |
| 34   | 1    | CON1      | Serie 2169 - 7.50mm Horizontal Entry Modular with Rising Cage Clamp - 3.5mm <sup>2</sup> Wires WR-TBL |              | 691 216 910 002    | Würth Elektronik                  |
| 35   | 1    | CON2      | WR-TBL Terminal block-serie 101, 5.00mm - Modular-blue-Horizontal entry with pressure clamp - 12.6mm  |              | 691 101 710 002    | Würth Elektronik                  |
| 36   | 1    | T1        | EE20/10/6 (EF20),14-Pin EXT, THT, Horizontal for 5V2A   |              | 750 343 107        | Würth Elektronik                  |
| 37   | 4    | Supporter | Self-Retaining Spacer WA-SNSR ,Nylon 66, natural  |              | 702 917 000        | Würth Elektronik                  |

## Evaluation Board for 10W Single-Output Switch-Mode Power Supply

### Disclaimer

This evaluation board is provided for evaluation purposes only and is not intended for commercial use in any end product. Dialog Semiconductor expressly disclaims all warranties, express, implied or statutory, including (but not limited to) the implied warranties of non-infringement, suitability for a specific application(s) or end product(s), product quality or reliability. All risks and liability regarding quality, use or performance of this evaluation board are those of the customer/user.

The user, and/or user's employer, if user is using this evaluation board for employer-related purposes, assumes all responsibility and liability for proper and safe handling of the evaluation boards and indemnify Dialog Semiconductor from any and all claims arising from use of the evaluation board.

The user, and/or user's employer, if user is using this evaluation board for employer-related purposes, understands that this evaluation board has not been agency tested or approved for safety, technical performance, and/or regulatory requirements, by any agency. This includes electromagnetic interference or other technical regulatory or safety testing and certifications.

The user, and/or user's employer, if user is using this evaluation board for employer-related purposes, assumes all responsibility for using this evaluation board in a test area or laboratory which is qualified and/or certified according to the local regulations, guidelines and labor laws applicable to working with non-isolated mains voltages and high voltage circuits.

Information in this document is believed to be accurate and reliable. However, Dialog Semiconductor does not give any representations or warranties, expressed or implied, as to the accuracy or completeness of such information. Dialog Semiconductor furthermore takes no responsibility whatsoever for the content in this document if provided by any information source outside of Dialog Semiconductor.

Dialog Semiconductor reserves the right to change without notice the information published in this document, including without limitation the specification and the design of the related semiconductor products, software and applications.

Applications, software, and semiconductor products described in this document are for illustrative purposes only. Dialog makes no representation or warranty that such applications, software and semiconductor products will be suitable for the specified use without further testing or modification. Unless otherwise agreed in writing, such testing or modification is the sole responsibility of the customer and Dialog excludes all liability in this respect.

Customer notes that nothing in this document may be construed as a license for customer to use the Dialog products, software and applications referred to in this document. Such license must be separately sought by customer with Dialog Semiconductor.

All use of Dialog Semiconductor products, software and applications referred to in this document are subject to Dialog Semiconductor's [Standard Terms and Conditions of Sale](#), available on the company website ([www.dialog-semiconductor.com](http://www.dialog-semiconductor.com)) unless otherwise stated.

Dialog and the Dialog logo are trademarks of Dialog Semiconductor plc or its subsidiaries. All other product or service names are the property of their respective owners.

© Copyright 2016 Dialog Semiconductor. All rights reserved.

### Contacting Dialog Semiconductor

#### United Kingdom

Dialog Semiconductor (UK) Ltd  
Phone: +44 1793 757700

#### Germany

Dialog Semiconductor GmbH  
Phone: +49 7021 805-0

#### The Netherlands

Dialog Semiconductor B.V.  
Phone: +31 73 640 88 22

#### Email

[info\\_pcbg@diasemi.com](mailto:info_pcbg@diasemi.com)

#### North America

Dialog Semiconductor Inc.  
Phone: +1 408 845 8500

#### Japan

Dialog Semiconductor K. K.  
Phone: +81 3 5425 4567

#### Taiwan

Dialog Semiconductor Taiwan  
Phone: +886 281 786 222

#### Web site:

[www.dialog-semiconductor.com](http://www.dialog-semiconductor.com)

#### Singapore

Dialog Semiconductor Singapore  
Phone: +65 648 499 29

#### Hong Kong

Dialog Semiconductor Hong Kong  
Phone: +852 2607 4271

#### Korea

Dialog Semiconductor Korea  
Phone: +82 2 3469 8200

#### China

Dialog Semiconductor  
(Shenzhen)  
Phone: +86 755 2981 3669

Dialog Semiconductor  
(Shanghai)  
Phone: +86 21 5424 9058