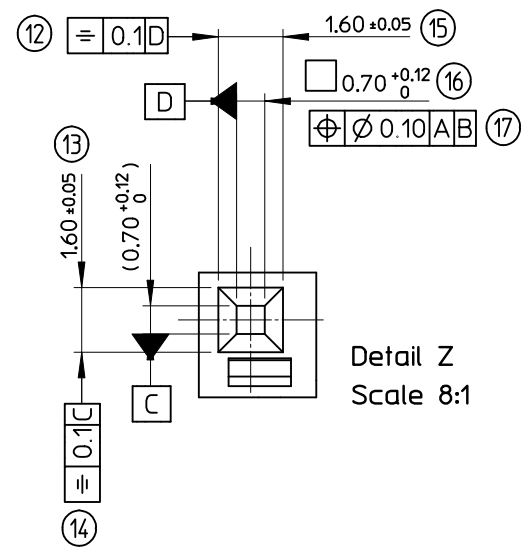
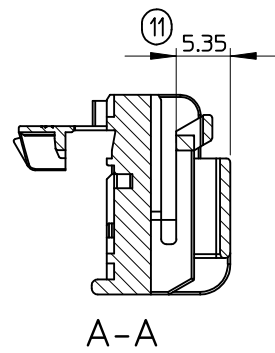
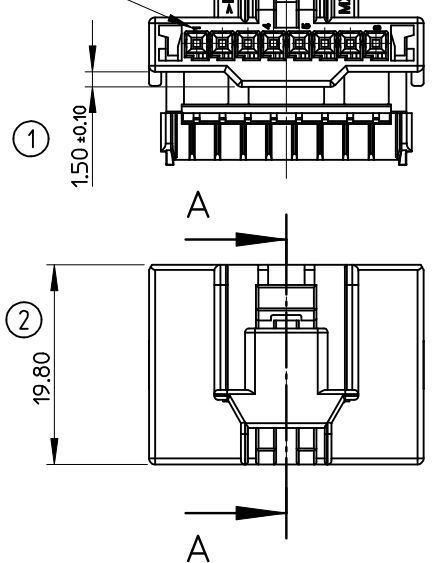


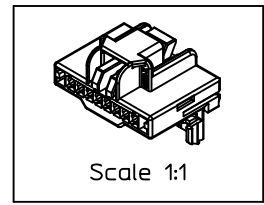
MATERIAL: >PBT< CAVITY MOLD POSITIONNING
 CAVITY POSITIONNING MOLEX LOGO



Detail Z
Scale 8:1

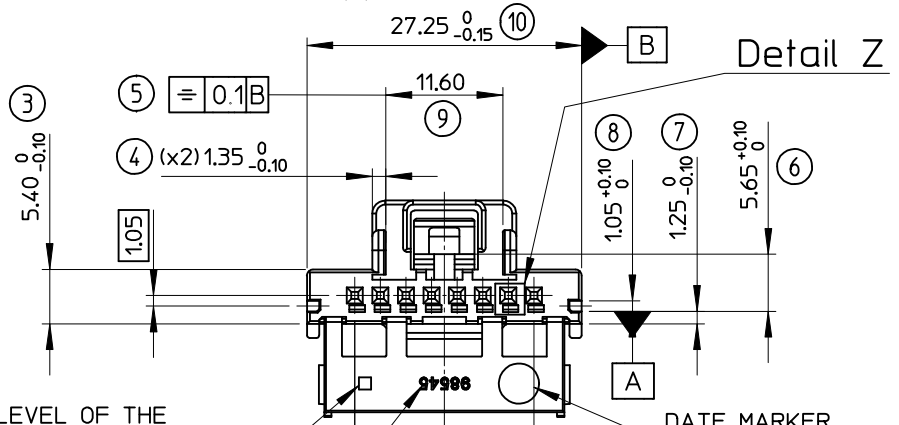
FOR ILLUSTRATION PURPOSES BLACK CODING IS SHOWN.

CODINGS	
PART NUMBER	COLOR
98545-0001	BLACK
98545-0002	GREY



Scale 1:1

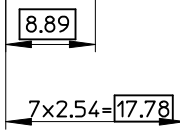
- NOTES :
- MATERIAL: POLYBUTYLENE (PBT), UL94 HB. COLOR: SEE CHART.
 - USE WITH: 98658 (MOX 0.63 TERMINAL).
 - APPLICATION SPECIFICATION: AS-98545-001



REVISION LEVEL OF THE CONTROL DRAWING RSD-98545-003

MOLEX PART NUMBER

DATE MARKER



REV	DESCRIPTION
1	2004/04/26
2	2004/04/26
3	2004/04/27

GENERAL TOLERANCES (UNLESS SPECIFIED)	
mm	INCH
4 PLACES ± ---	± ---
3 PLACES ± ---	± ---
2 PLACES ± 0.10	± ---
1 PLACE ± 0.20	± ---
ANGULAR ± 1/2°	
DRAFT WHERE APPLICABLE	
MUST REMAIN WITHIN DIMENSIONS	

SCALE	DESIGN UNITS
2:1	METRIC
DIMENSION STYLE	
MM ONLY	
DRAWN BY	DATE
MRIVIERE	04/04/08
CHECKED BY	DATE
LSTICKEI	04/04/08
APPROVED BY	DATE
LSTICKEI	04/04/08

FIRST ANGLE PROJECTION	REVISE ON CAD ONLY
TITLE	
8 WAY CONNECTOR SALES DRAWING	
MOLEX MOLEX INCORPORATED	
MATERIAL NO.	DOCUMENT NO.
SEE CHART	SD-98545-002
SHEET NO.	1 OF 1
THIS DRAWING CONTAINS INFORMATION THAT IS PROPRIETARY TO MOLEX INCORPORATED AND SHOULD NOT BE USED WITHOUT WRITTEN PERMISSION	