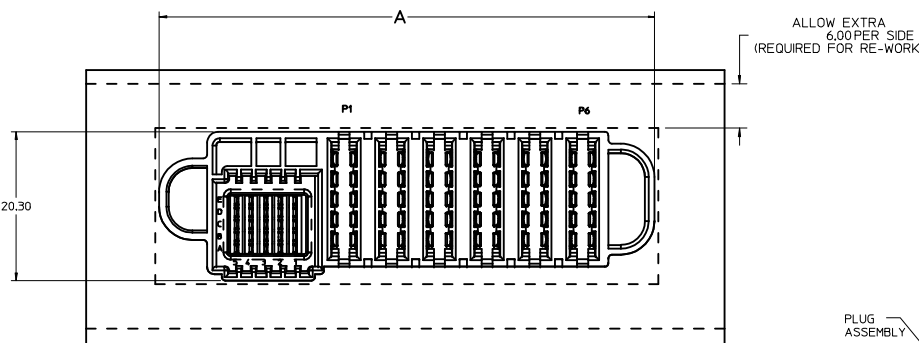
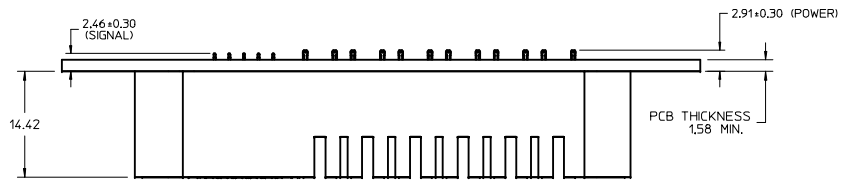
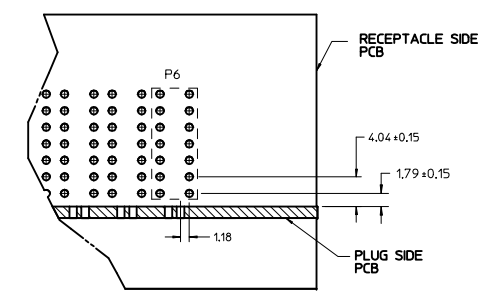
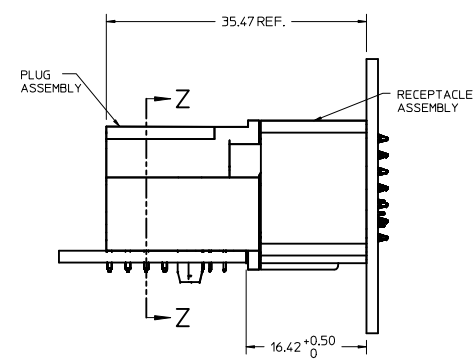
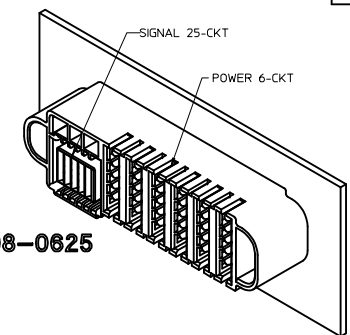


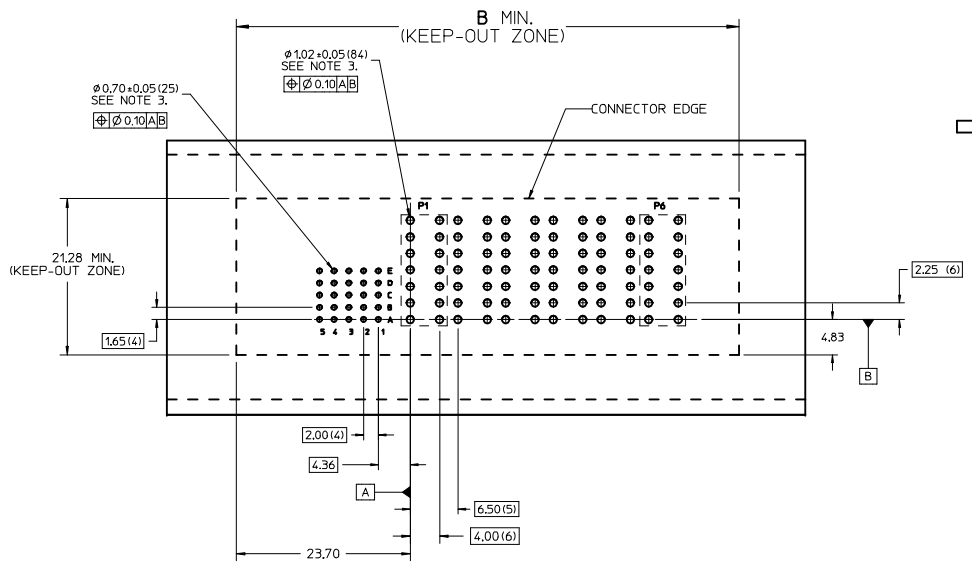
PART NUMBER	CKT	DIM 'A'	DIM 'B'
171098-0625	25 SIGNAL - 6 POWER	67,50	68,50
171098-0425	25 SIGNAL - 4 POWER	54,50	55,50
171098-0225	25 SIGNAL - 2 POWER	41,50	42,50



P/N: 171098-0625  
SHOWN



PARTIAL SECTION Z-Z  
SCALE 3:1



RECOMMENDED PCB LAYOUT AND KEEP-OUT ZONE

- NOTES:
- MATERIAL:
    - HOUSINGS: LCP UL94 V-0, COLOR: BLACK.
    - TERMINALS: HIGH CONDUCTIVITY COPPER ALLOY.
    - PLATING: 127 MICROMETER NICKEL OVERALL WITH 2,54 MICROMETER SELECTIVE TIN ON TAILS AND 0,762 MICROMETER SELECTIVE GOLD ON CONTACT AREA.
  - PACKAGING ASSEMBLIES TO BE TRAY PACKED PER PK-171098-0100.
  - PC BOARD REQUIRES THRU HOLES. REFER TO PS-171097-100 FOR DETAILS.
  - PRODUCT SPEC.: PS-171097-100.
  - APPLICATION SPEC.: AS-171097-100.
  - SEE PRODUCT SPEC FOR ROHS REQUIREMENTS.
  - ASSEMBLY MATES WITH MOLEX PLUG ASSEMBLY, P/N 171097-XXXX.

<b>REVISED NOTES</b> IEC NO. UCP2013-2089 DRAWN: SCHAEFER 2012/11/17 CHKD: APPR: APATEL 2012/12/06	QUALITY SYMBOLS	GENERAL TOLERANCES (UNLESS SPECIFIED)	DIMENSION STYLE <b>MM ONLY</b>	SCALE <b>3:1</b>	DESIGN UNITS <b>METRIC</b>	THIRD ANGLE PROJECTION
	4 PLACES ± --- ± --- 3 PLACES ± --- ± --- 2 PLACES ± 0,25 ± --- 1 PLACE ± 0,25 ± --- ANGULAR ± 1/2°	mm    INCH ---    --- ---    --- ---    --- ---    ---	DRAWN BY: MKARADI MAS 2011/06/06 CHECKED BY: DATE E. KINSLEY 2012/01/30 APPROVED BY: DATE APATEL 2012/03/15	MATERIAL NO. SEE CHART SIZE D	TITLE <b>VERT. RECEPTACLE ASSY PRESS-FIT ENERGETIC</b>	<b>MOLEX INCORPORATED</b>
DRAFT WHERE APPLICABLE MUST REMAIN WITHIN DIMENSIONS		DOCUMENT NO. SD-171098-0100		THIS DRAWING CONTAINS INFORMATION THAT IS PROPRIETARY TO MOLEX INCORPORATED AND SHOULD NOT BE USED WITHOUT WRITTEN PERMISSION		