

THIS DRAWING IS UNPUBLISHED.

RELEASED FOR PUBLICATION

---

© COPYRIGHT BY TYCO ELECTRONICS CORPORATION.

ALL INTERNATIONAL RIGHTS RESERVED.

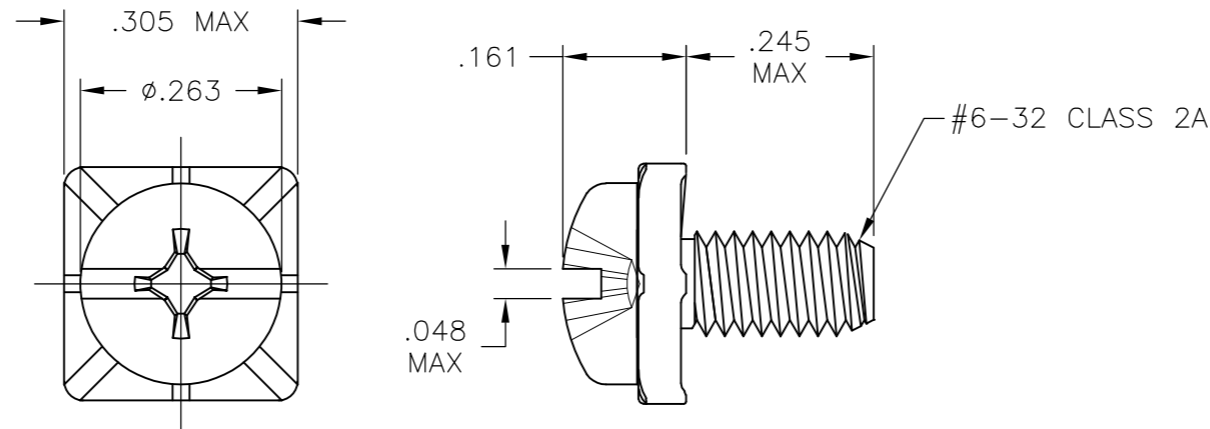
LOC FT DIST 0

REVISIONS

P	LTR	DESCRIPTION	DATE	DWN	APVD
	A	-	12/19/08	SS	SM

① MATERIAL: STEEL, ZINC PLATED .0002 MIN. WITH CLEAR NON-HEXAVALENT CHROMATE.

② MATERIAL: BRASS, NICKEL PLATED .0001 MIN. OVER COPPER FLASH.



②	1437651-6
①	1437651-2
①	9-1437667-9
MATERIAL	PART NUMBER

THIS DRAWING IS A CONTROLLED DOCUMENT.		DWN S SCHLEGEL 19DEC2008	Tyco Electronics Corporation Harrisburg, Pa 17105-3608													
DIMENSIONS: INCHES		CHK S MACE 12/19/08	NAME #6-32 COMBO TYPE 1/SLOTTED PAN HEAD SQ. WASHER SEMS MACHINE SCREW													
TOLERANCES UNLESS OTHERWISE SPECIFIED:		APVD S MACE 12/19/08														
<table border="1"> <tr><td>0 PLC</td><td>± -</td></tr> <tr><td>1 PLC</td><td>± -</td></tr> <tr><td>2 PLC</td><td>± -</td></tr> <tr><td>3 PLC</td><td>± -</td></tr> <tr><td>4 PLC</td><td>± -</td></tr> <tr><td>ANGLES</td><td>± -</td></tr> </table>		0 PLC	± -	1 PLC	± -	2 PLC	± -	3 PLC	± -	4 PLC	± -	ANGLES	± -	PRODUCT SPEC -	SIZE A3	CAGE CODE 00779
0 PLC	± -															
1 PLC	± -															
2 PLC	± -															
3 PLC	± -															
4 PLC	± -															
ANGLES	± -															
MATERIAL -		FINISH -	DRAWING NO C-1546184	RESTRICTED TO -												
CUSTOMER DRAWING			SCALE NTS	SHEET 1 OF 1												
			REV A													