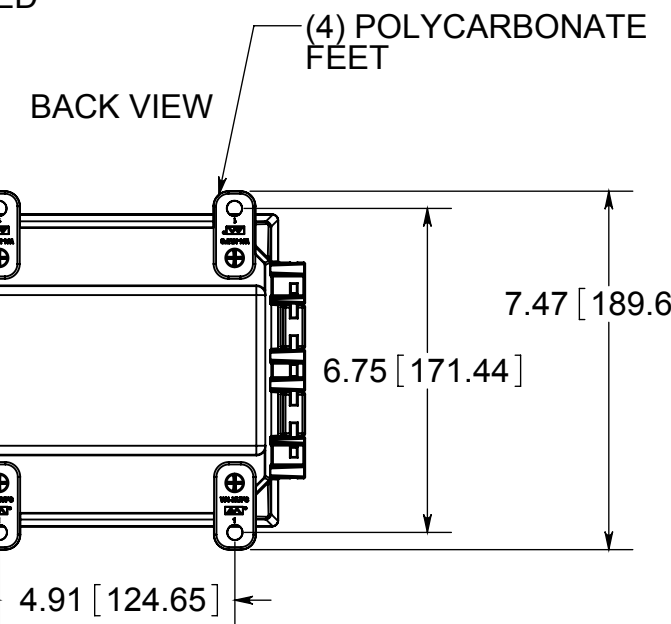
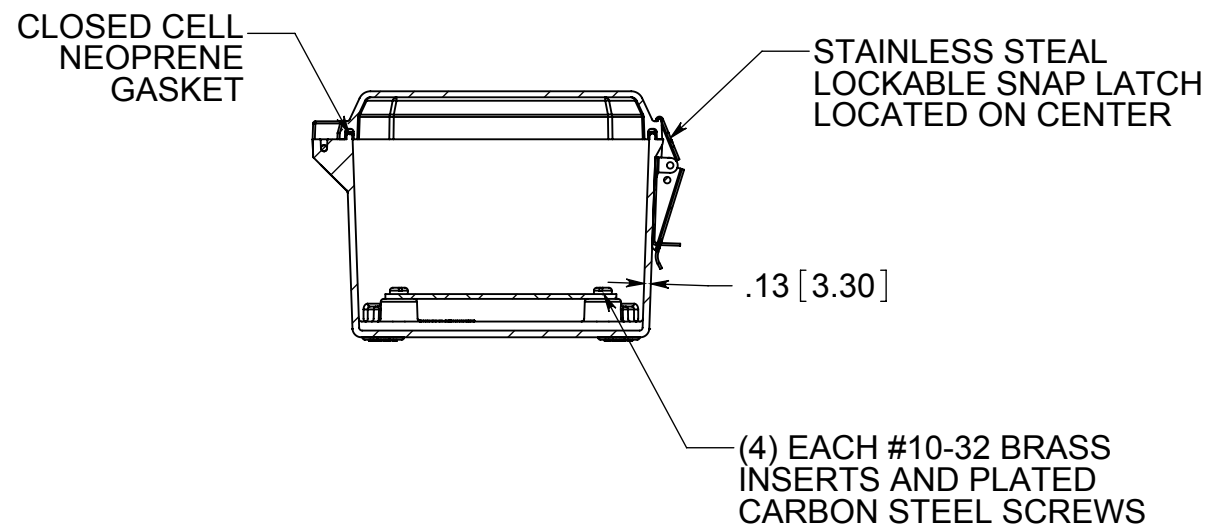
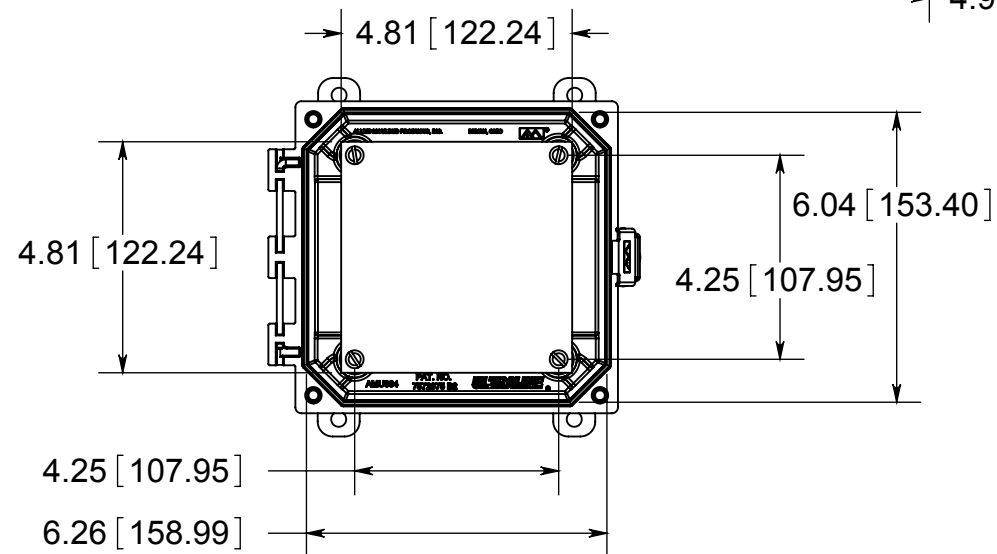


OPTIONAL BACK PANEL SHOWN
 0.100 [2.54mm] TH'K- ALUMINUM
 0.075 [1.91mm] TH'K- WHITE STEEL & GALVANNEALED
 0.125 [3.18mm] TH'K- FIBERGLASS

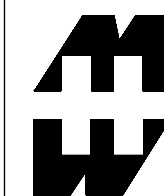
(4) EACH #10-32 BRASS
 INSERTS, AND STAINLESS
 STEEL FLANGE AND
 FEET SCREWS



FRONT VIEW
 WITH COVER REMOVED
 AND BACK PANEL DISPLAYED



MATERIAL:
 BOX- COMPRESSION MOLDED FIBERGLASS REINFORCED POLYESTER
 COVER- COMPRESSION MOLDED FIBERGLASS REINFORCED POLYESTER
 CLEAR COVER AND WINDOWS- POLYCARBONATE



PART No. PJU664CCL

for more information visit
www.hammfg.com
 Data subject to change without notice
 Drawing Not to Scale