

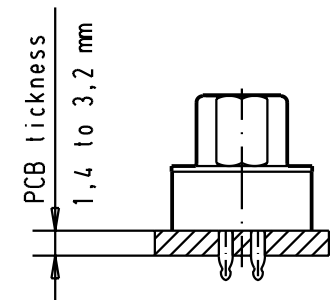
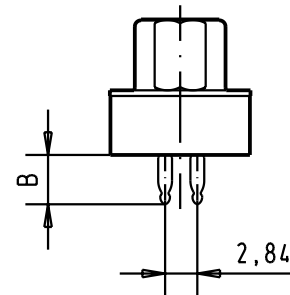
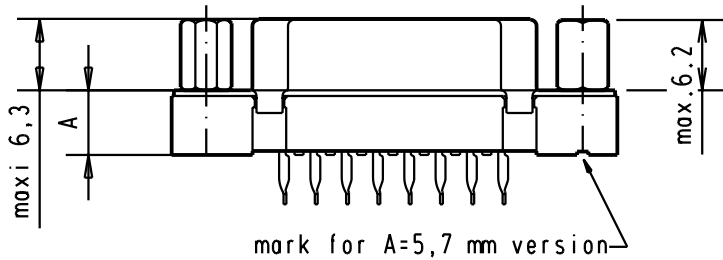
5

4

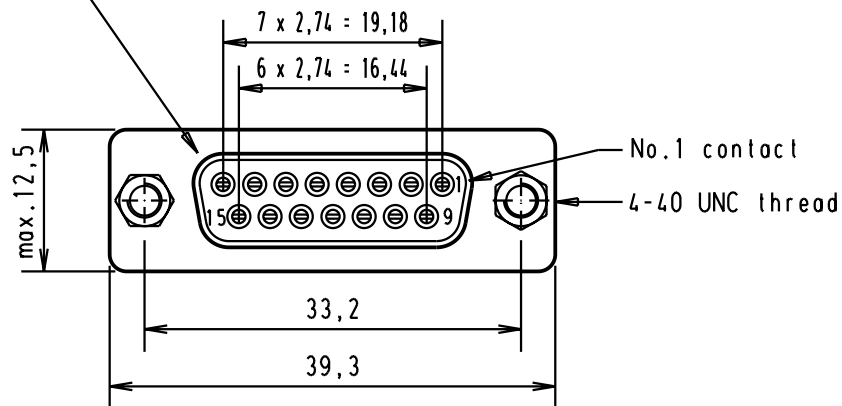
3

2

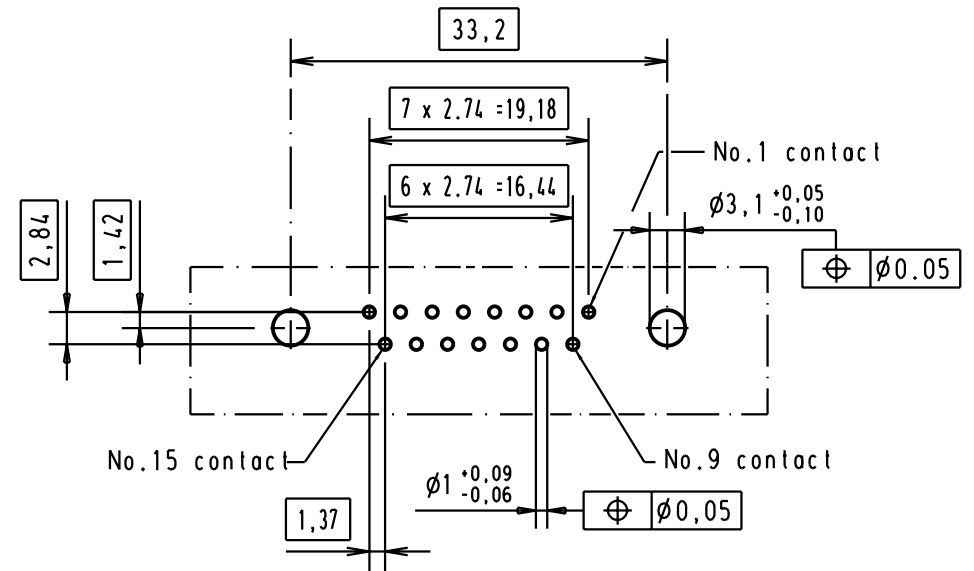
1



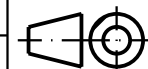
Mating face according to : MIL-C-24308 / DIN 41652 / CECC 75301-802



Printed board layout  
Component side



09662147503	3	6	4.20																			
09662146503	2	6	4.20	31079	29-AUG-02	CV	Detail.	30/06/95	jfb													
09662145503	0.76 $\mu$ m Au	6	4.20	29701	20 JUL 01	S G	Insp.															
09662147507	3	5.7	4.35	27980	05/03/01	jfb	Stand.															
09662146507	2	5.7	4.35	17971	04/14/97	jfb																
09662145507	0.76 $\mu$ m Au	5.7	4.35	16236	30/06/95	jfb																
Part number	Performance level	A $\pm$ 0.2	B $\pm$ 0.2	Mod.	Dat.	Name																



All Dim. in mm  
Orig. Size DIN A 4

D-Sub 15 poles straight female connector with press-in termination, version nut and screw lock.

Moßstab/  
Scale  
1,5:1

HARTING EURL  
F-95972 Paris



TB 0966214x50x

Sub.

Blatt / Page  
4