

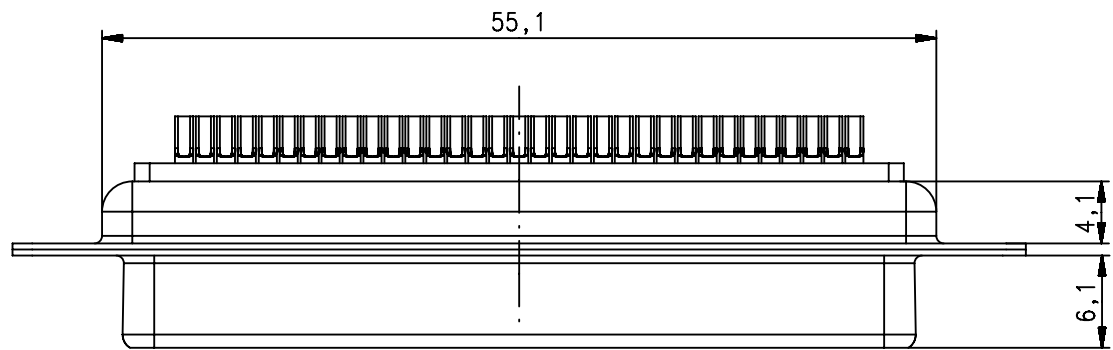
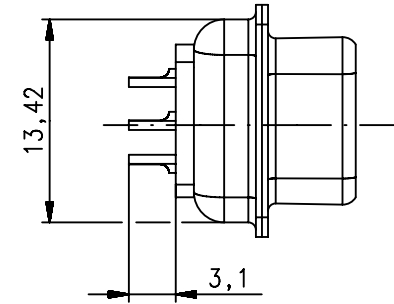
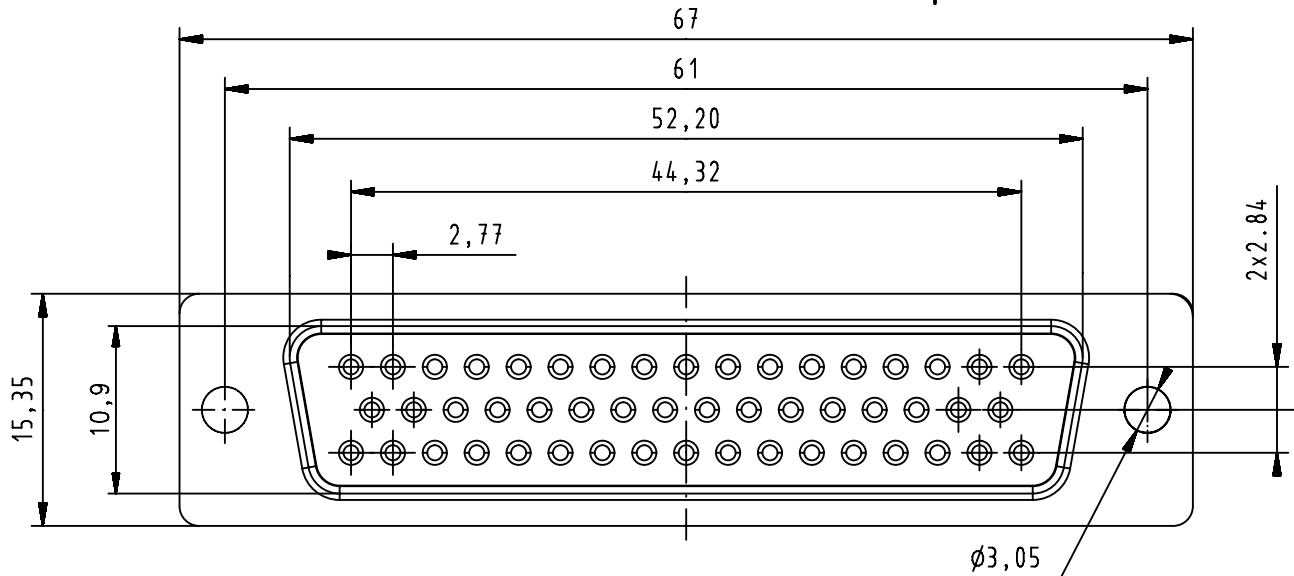
1 2 3 4 5 6

A

B

C

D



09 67 250 4715	3,05	2
09 67 250 4704	3,05	3
Part number	∅ hole	Performance level

	All rights reserved Department EC PD - FR HARTING Electronics GmbH D-32339 Espelkamp	All Dimensions in mm Original Size DIN A4	Scale 2:1	Free size tol.	Ref. Sub.
		Created by DOUGE	Inspected by BAGDIKIAN	Standardisation HOFFMANN	Date 2013-05-22
Title D-Sub 50P female straight STD					Doc-Key / ECM-Nr. 100513401/UGD/001/B 500000062293
Type TB		Number 096725047XX			Rev. B
					Page 1/1