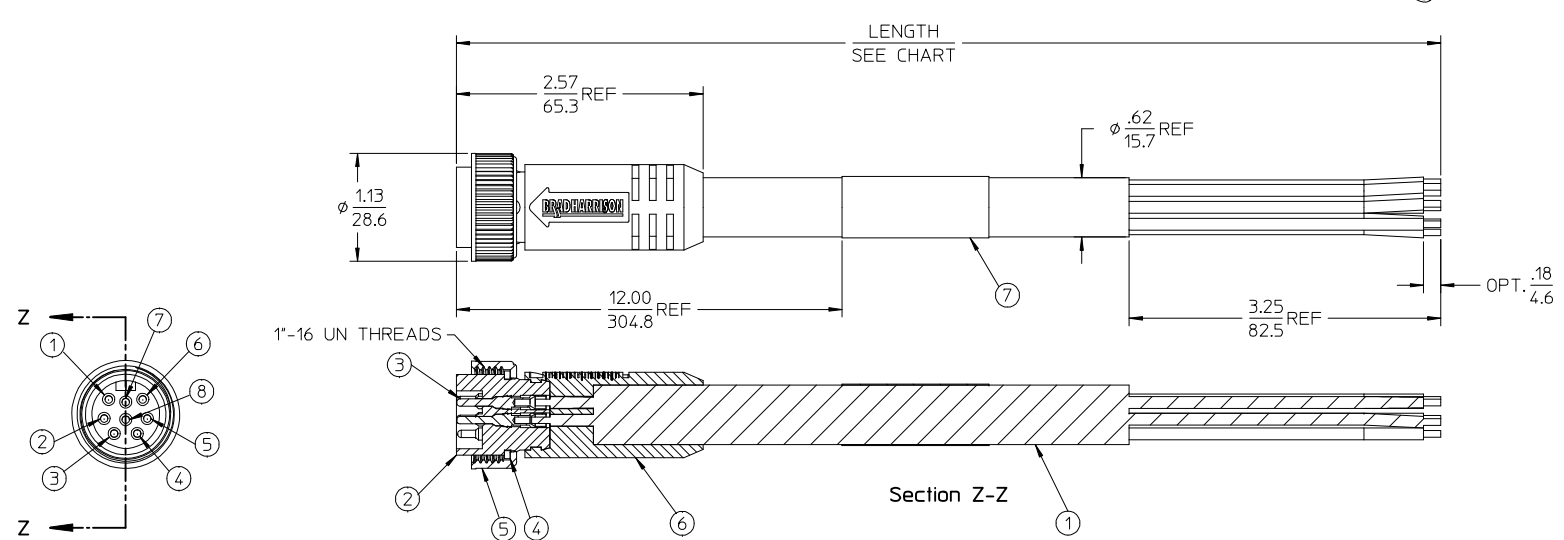
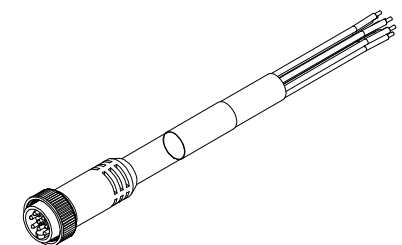


PART NUMBER	ENGINEERING NO.	LENGTH
1300070197	208002A01F030	3' 0" +1.75 - 0 [.9M +44.5 - 0]
1300070199	208002A01F060	6' 0" +2.19 - 0 [1.8M +55.6 - 0]
1300070202	208002A01F120	12' 0" +3.50 - 0 [3.7M +88.9 - 0]
1300070204	208002A01F120	20' 0" +6.50 - 0 [6.1M +165.1 - 0]



- NOTES:
1. MATERIAL: SEE TABLE
 2. FINISHES: SEE TABLE
 3. CABLE ASSEMBLIES ARE BAGGED SEPERATELY IN POLY BAGS WITH BARCODE LABEL ATTACHED TO OUTSIDE OF BAG
 4. WRAP LABEL IS MARKED WITH P/N, DATE CODE VOLTAGE & AMPERAGE
 5. MATES WITH: MINI CHANGE, B-SIZE 8 POLE RECEPTACLE
 6. ELECTRICAL SPECIFICATIONS:
VOLTAGE RATING: 600V
CURRENT RATING: 7 AMPS
 7. ASSEMBLY IS RoHS COMPLIANT

S1	
1	ORANGE
2	BLUE
3	WHITE/BLACK
4	BLACK
5	WHITE
6	RED
7	GREEN/YELLOW
8	RED/BLACK

WIRING DIAGRAM

ITEM	QTY.	DESCRIPTION	MATERIAL	FINISH
7	1	LABEL	PLASTIC FILM	BLACK/YELLOW
6	1	OVERMOLD	PVC	YELLOW
5	1	COUPLING NUT	ZINC DIE CAST	BLACK
4	1	FRICITION RING	NYLON	NATURAL
3	8	PIN CONTACT 16 AWG	BRASS	GOLD PLATED
2	1	INSERT, FEMALE, 8 POLE	PVC	YELLOW
1	1	CABLE, 16-8 ST00W/ST	PVC JACKET	YELLOW

RELEASED
EC NO: MNA2009-0795
DRAWN: BRUPERT 2009/06/02
CHKD: BRUPERT
APPR: J. MURPHY 2009/06/10

QUALITY SYMBOLS
▽=0
▽=0

GENERAL TOLERANCES (UNLESS SPECIFIED)

	mm	INCH
4 PLACES ±	---	---
3 PLACES ±	---	---
2 PLACES ±	---	±.01
1 PLACE ±	0.3	---

ANGULAR ±1/2°

DRAFT WHERE APPLICABLE MUST REMAIN WITHIN DIMENSIONS

DIMENSION STYLE
IN/MM

DRAWN BY DATE
BRUPERT 2009/04/02

CHECKED BY DATE
B. WOODMAN 2009/04/03

APPROVED BY DATE
J. MURPHY 2008/04/06

MATERIAL NO.
SEE CHART

SIZE
C

SCALE 1:1
DESIGN UNITS INCH
THIRD ANGLE PROJECTION

TITLE
MINI-CHANGE CORD ASSY
MALE, B-SIZE
8 POLE

MOLEX INCORPORATED

DOCUMENT NO. SD-130007-004
SHEET NO. 1 OF 1

THIS DRAWING CONTAINS INFORMATION THAT IS PROPRIETARY TO MOLEX INCORPORATED AND SHOULD NOT BE USED WITHOUT WRITTEN PERMISSION