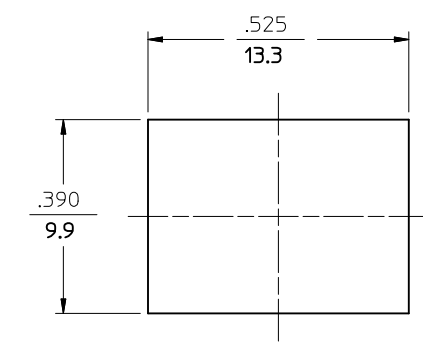
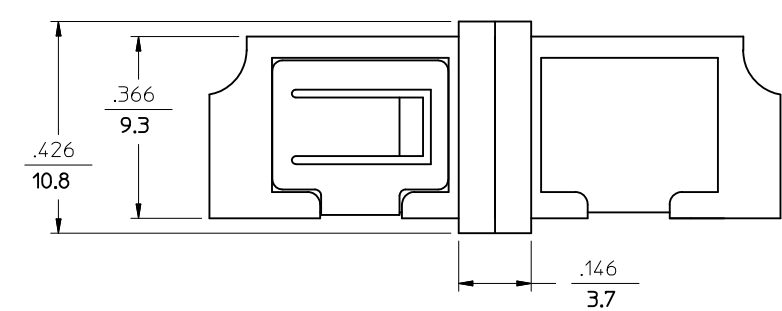
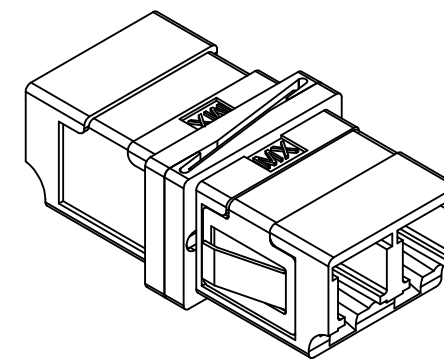
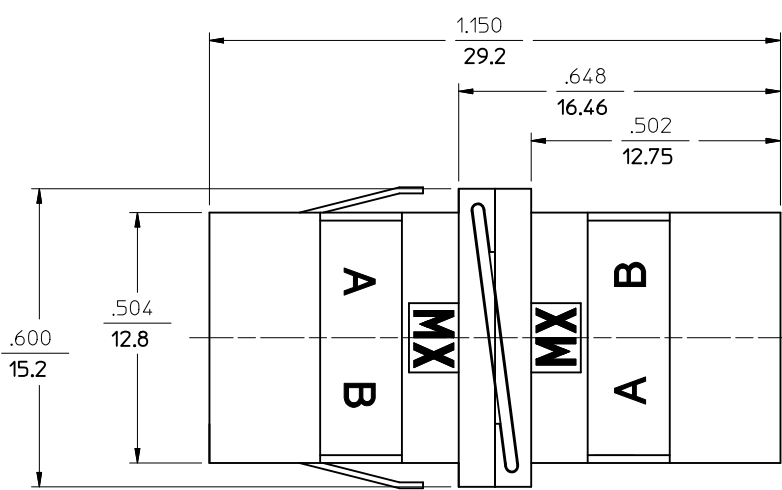
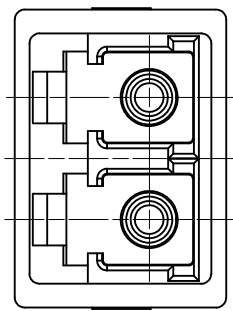


10	9	8	7	6	5	4	3	2	1
LC ADAPTER ASSY. P/N	LC SLEEVE MATERIAL								
106126-0690	Ph. BRONZE								
106126-1690	ZR								



RECOMMENDED MOUNTING PATTERN  
FOR  $\frac{.063}{1.6}$  THICK PANEL



- NOTES:
1. ALL DIMENSIONS ARE FOR REFERENCE ONLY.
  2. DUST CAPS NOT SHOWN.
  3. ADAPTERS TO BE PACKAGED IN TRAY.

<b>ENTER DESCRIPTION</b> EC NO: MF2010-0240 DRW: MKPEVZNER CHKD: 2009/12/04 APPR: LGUMIN 2009/12/07 A1	<b>QUALITY SYMBOLS</b> Ra=0 Chamfered	<b>GENERAL TOLERANCES (UNLESS SPECIFIED)</b>		<b>DIMENSION STYLE</b> IN/MM	<b>SCALE</b> 4:1	<b>DESIGN UNITS</b> INCH	<b>THIRD ANGLE PROJECTION</b>		
		4 PLACES ±--- ±--- 3 PLACES ±--- ±--- 2 PLACES ±--- ±--- 1 PLACE ±--- ±---	mm INCH ±--- ±--- ±--- ±--- ±--- ±--- ±--- ±---	DRAWN BY PGIBLIN CHECKED BY APPROVED BY	DATE 2005/10/05 DATE DATE	<b>TITLE</b> LC DUPLEX ADAPTER			
		ANGULAR ±1/2°		MATERIAL NO. SEE TABLE		<b>MOLEX INCORPORATED</b>			SHEET NO. 1 OF 1
		DRAFT WHERE APPLICABLE MUST REMAIN WITHIN DIMENSIONS		DOCUMENT NO. SD-106126-X690		THIS DRAWING CONTAINS INFORMATION THAT IS PROPRIETARY TO MOLEX INCORPORATED AND SHOULD NOT BE USED WITHOUT WRITTEN PERMISSION			