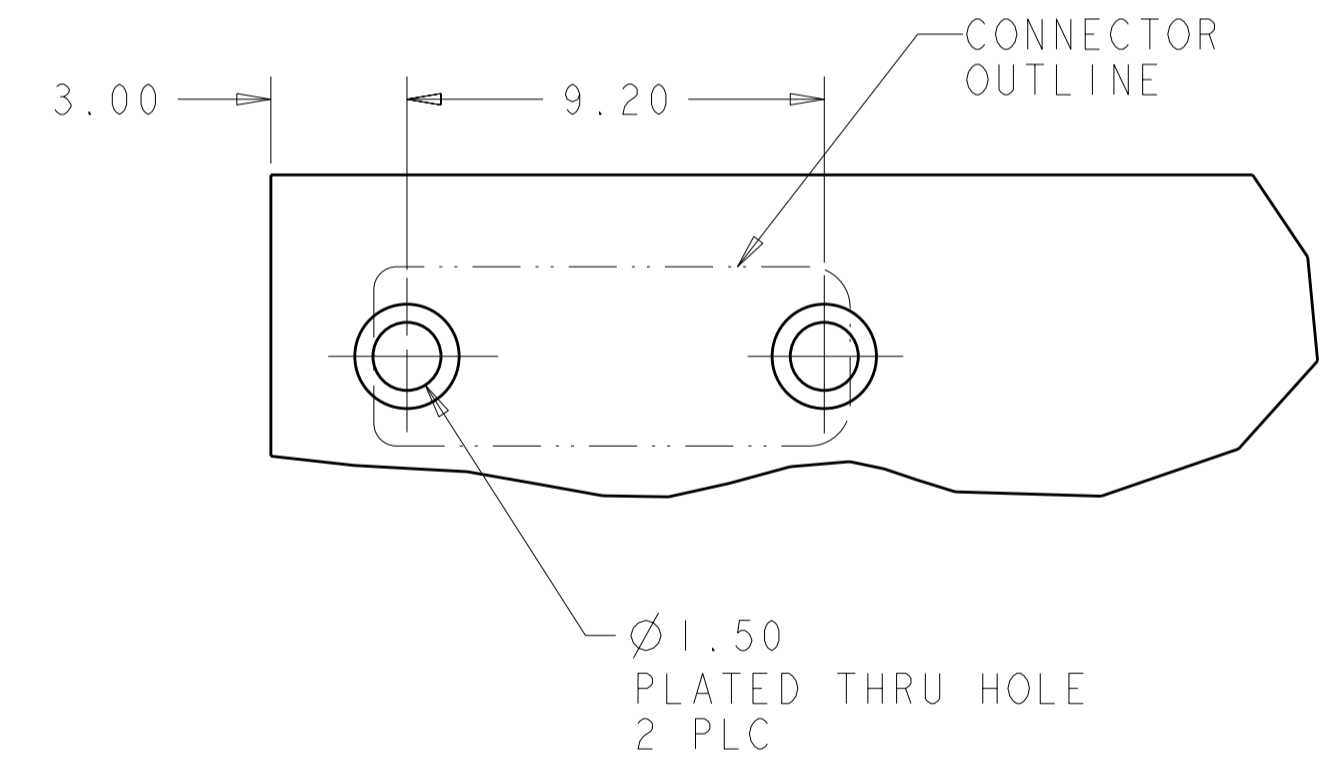
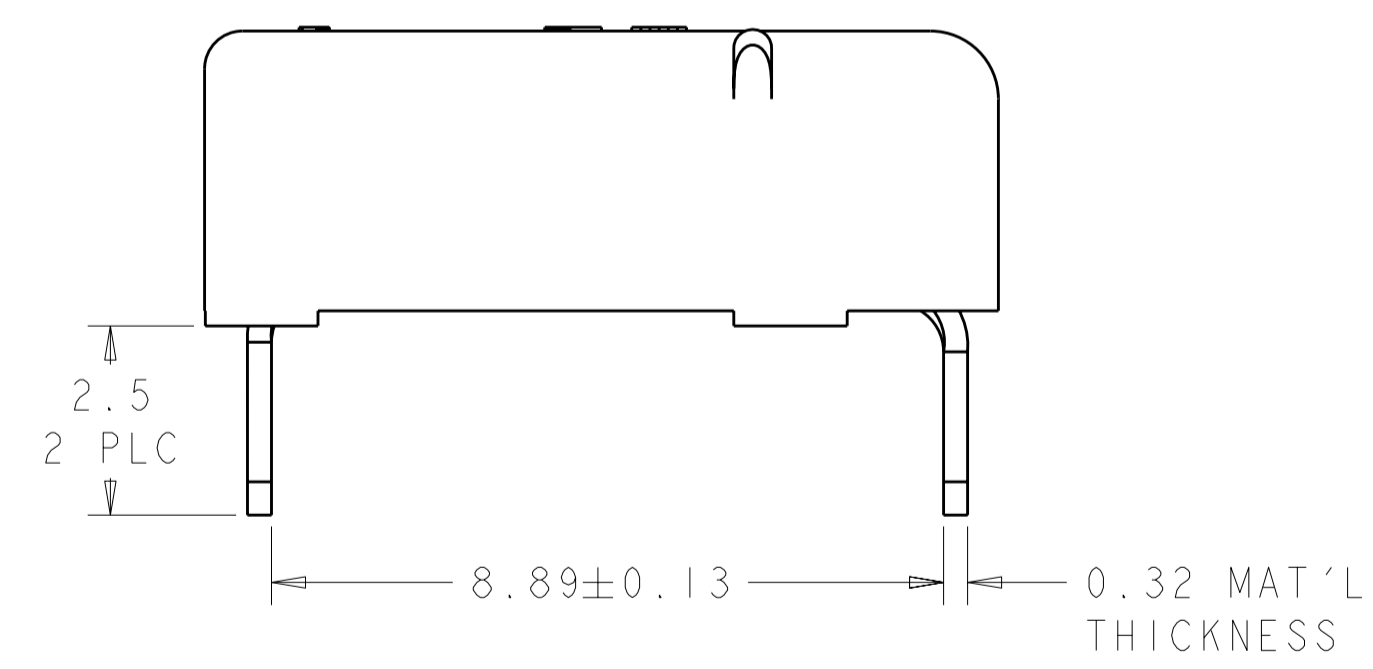
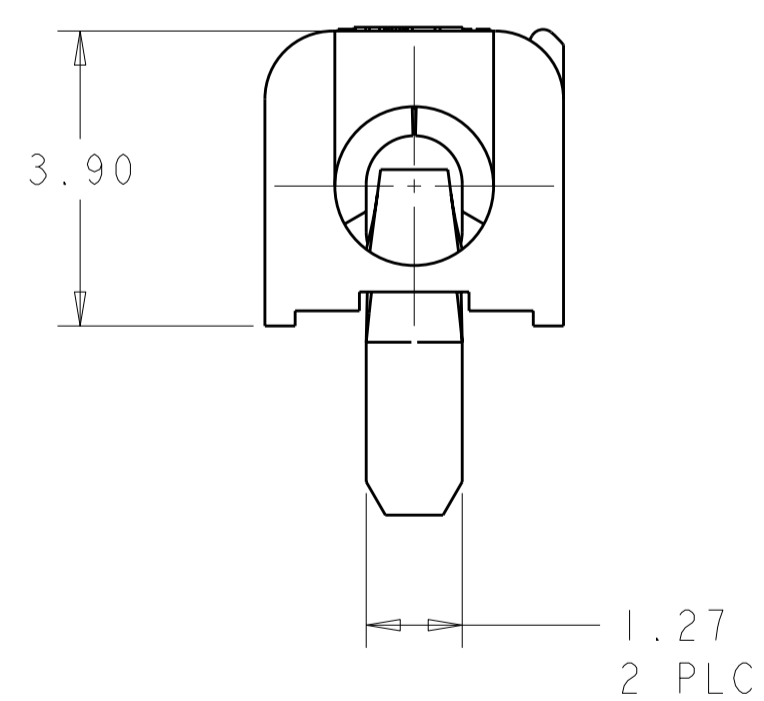
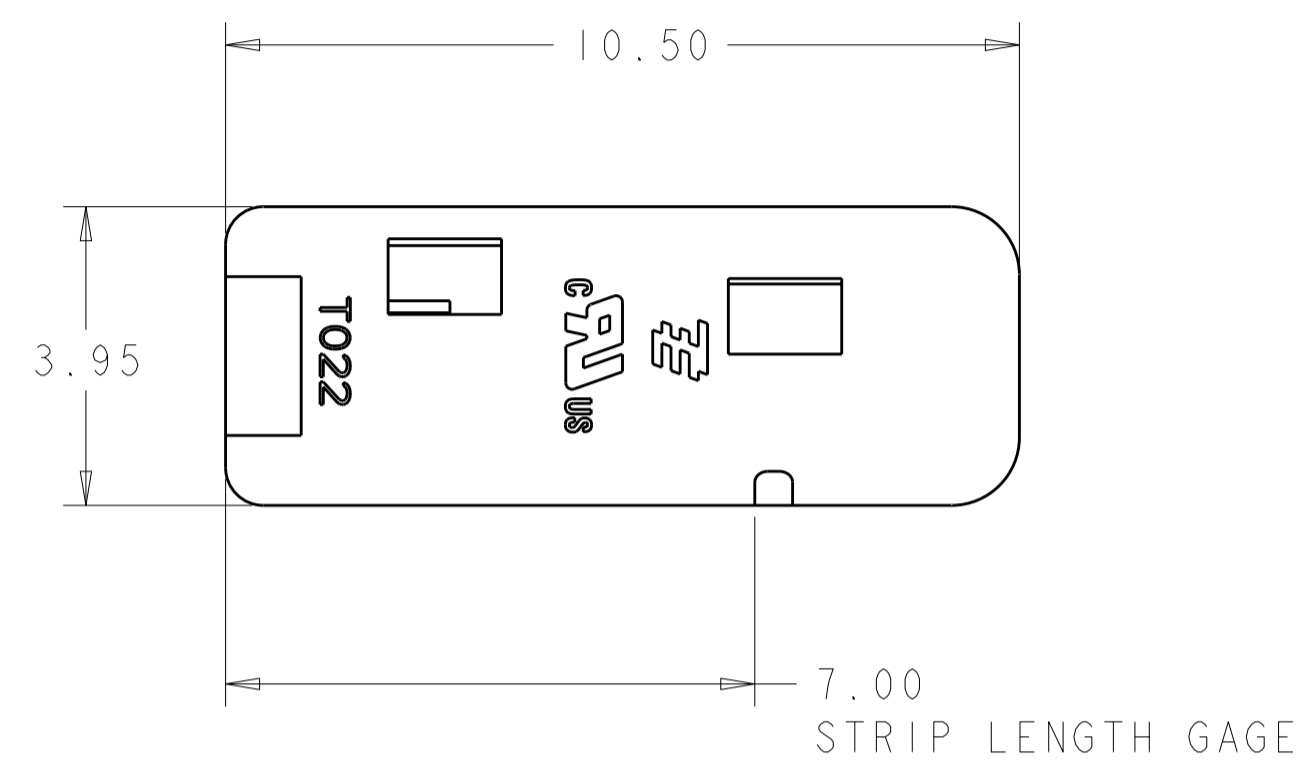


THIS DRAWING IS UNPUBLISHED. RELEASED FOR PUBLICATION 20
 © COPYRIGHT 20 BY TYCO ELECTRONICS CORPORATION. ALL RIGHTS RESERVED.

LOC		DIST		REVISIONS			
P	LTR	DESCRIPTION	DATE	DWN	APVD		
-	-	A	REVISED PER ECR-09-006557	25MAR2009	HMR	DD	

- ⚠ MATERIALS AND FINISH:
 - HOUSING: LCP, COLOR: WHITE
 - CONTACTS: COPPER ALLOY, FINISH: TIN
2. MUST COMPLY WITH DIRECTIVE 2002/95/EC (ROHS)
4. WIRE TYPES AND SIZES ACCEPTED
 18, 20 AND 22 AWG SOLID WIRE
 18 AND 20 AWG PREBOND STRANDED WIRE
 18 AWG STRANDED WIRE (16 STRAND COUNT)
 MAX INSULATION OD: 2.10 MM (.083")
 STRIP LENGTH: 7.0±1.0 (.276")
5. PACKAGED IN TAPE AND REEL
- ⚠ MATERIALS AND FINISH:
 - HOUSING: LCP, COLOR: BLACK
 - CONTACTS: COPPER ALLOY, FINISH: TIN



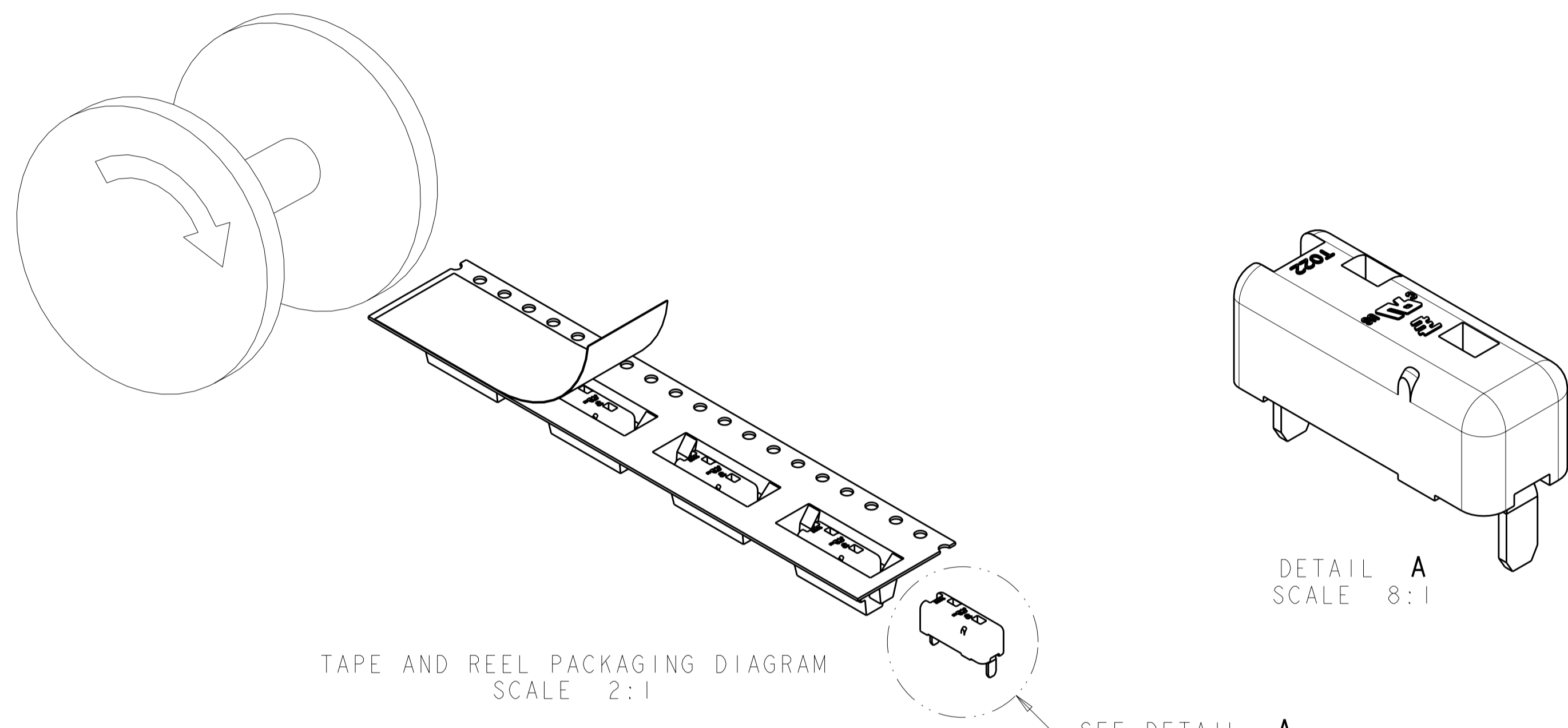
RECOMMENDED PCB LAYOUT
 SCALE 6:1

⚠	BLACK	2008839-2
⚠	WHITE	2008839-1
MATERIAL	COLOR	PART NUMBER

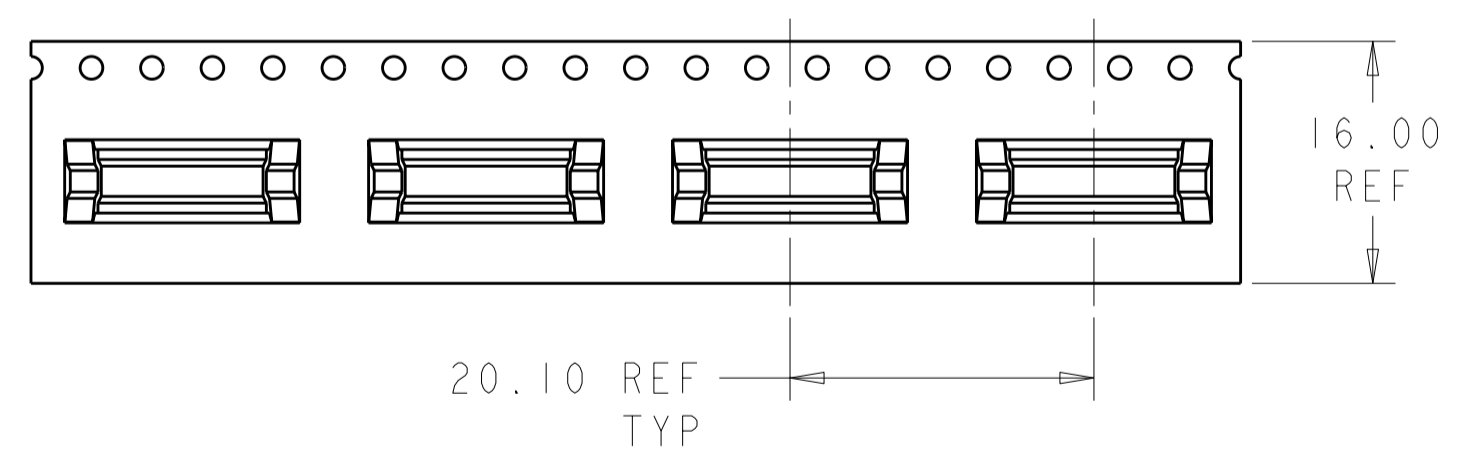
THIS DRAWING IS A CONTROLLED DOCUMENT FOR TYCO ELECTRONICS CORPORATION. IT IS SUBJECT TO CHANGE AND THE CONTROLLING ENGINEERING ORGANIZATION SHOULD BE CONTACTED FOR THE LATEST REVISION.		DWN: 17OCT2007 GURURAJ S	Tyco Electronics Harrisburg, PA 17105-3608	
DIMENSIONS:	TOLERANCES UNLESS OTHERWISE SPECIFIED:	CHK: -	NAME: -	RESTRICTED TO: -
mm	0 PLC ± 1 PLC ±0.2 2 PLC ±0.13 3 PLC ± 4 PLC ±	APVD: -	PRODUCT SPEC: -	
	ANGLES ±3	FINISH: -	APPLICATION SPEC: -	
MATERIAL: SEE TABLE	FINISH: SEE TABLE	WEIGHT: -	SIZE: A200779	CAGE CODE: C-2008839
CUSTOMER DRAWING		SCALE: 1:1	SHEET 1 OF 2	REV A

THIS DRAWING IS UNPUBLISHED. RELEASED FOR PUBLICATION 20
 © COPYRIGHT 20 BY TYCO ELECTRONICS CORPORATION. ALL RIGHTS RESERVED.

LOC	DIST	REVISIONS			
P	LTR	DESCRIPTION	DATE	DWN	APVD
-	-	SEE SHEET 1	-	-	-



TAPE AND REEL PACKAGING DIAGRAM
SCALE 2:1



THIS DRAWING IS A CONTROLLED DOCUMENT FOR TYCO ELECTRONICS CORPORATION. IT IS SUBJECT TO CHANGE AND THE CONTROLLING ENGINEERING ORGANIZATION SHOULD BE CONTACTED FOR THE LATEST REVISION.		DWN GURURAJ S	17OCT2007	Tyco Electronics Harrisburg, PA 17105-3608	
DIMENSIONS: mm		CHK -	APVD -	NAME -	
TOLERANCES UNLESS OTHERWISE SPECIFIED: 0 PLC ± 1 PLC ±0.2 2 PLC ±0.13 3 PLC ± 4 PLC ± ANGLES ±3 FINISH		PRODUCT SPEC -	APPLICATION SPEC -	SIZE A200779	CAGE CODE C-2008839
MATERIAL SEE TABLE		WEIGHT -	DRAWING NO. -		RESTRICTED TO -
SEE TABLE		CUSTOMER DRAWING		SCALE 1:1	SHEET 2 OF 2 REV A