

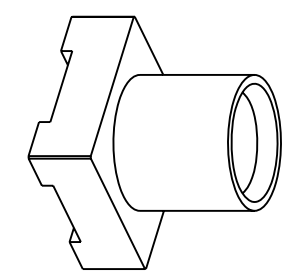
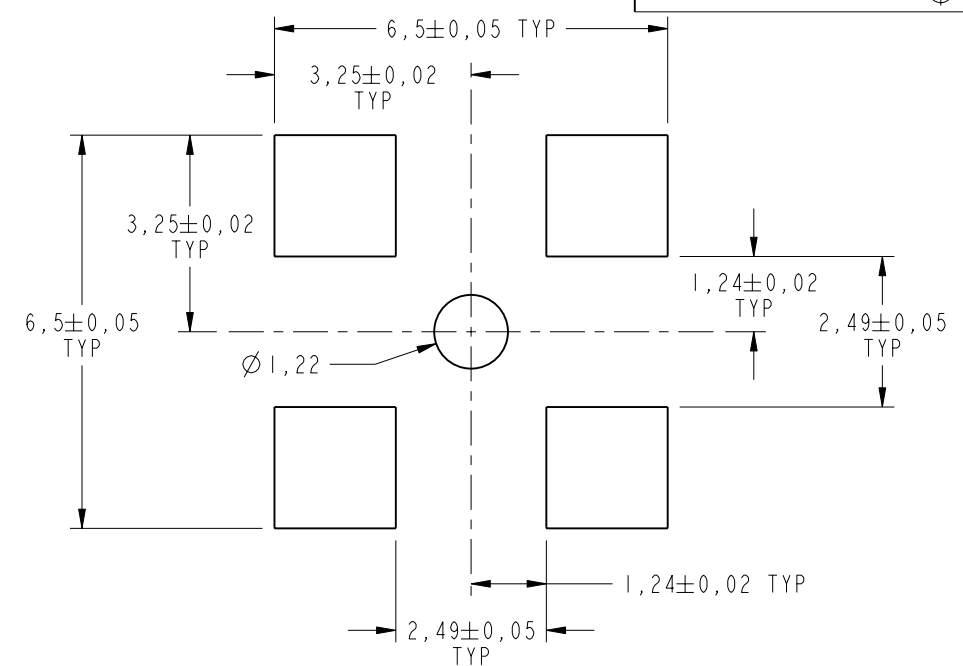
NOTES:

1. MATERIALS AND FINISH:
 BODY = BRASS, GOLD PLATING
 CONTACT = BERYLLIUM COPPER, GOLD PLATING
 INSULATOR = PTFE, NATURAL
2. ELECTRICAL:
 A. IMPEDANCE: 75 OHM
 B. FREQUENCY RANGE: DC 0 - 6 GHz
 C. VSWR (RETURN LOSS): 1.3, MAX.
 D. INSERTION LOSS: 0.1 dB @ 1 GHz
 E. DIELECTRIC WITHSTANDING VOLTAGE: 1000 VRMS, MIN.
3. MECHANICAL:
 A. DURABILITY: 500 CYCLES MIN.
 B. TEMPERATURE RANGE: -65° C TO +165° C
4. PACKAGE IN ANTI-STATIC BAG 999-226. MARK BAG OR TAG:
 "AMPHENOL, 919-132J-71P, DATE CODE AND WORK ORDER NUMBER".

THIRD ANGLE PROJ.

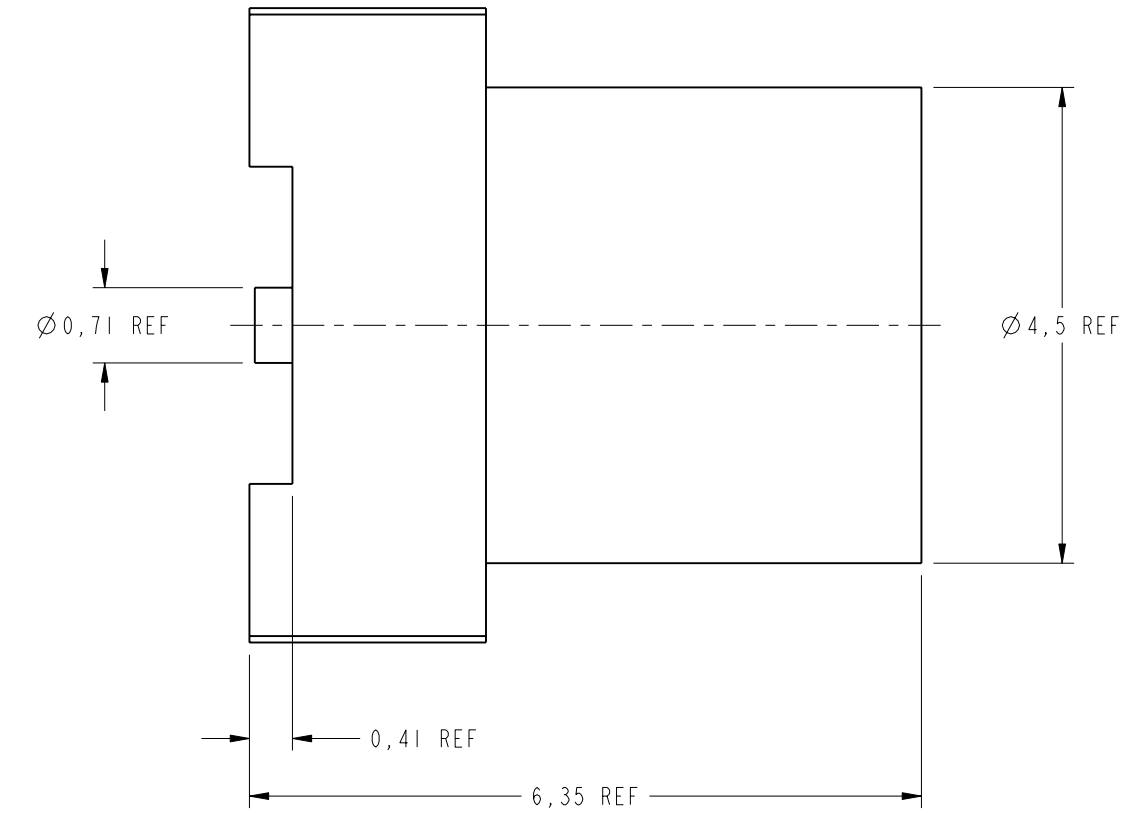
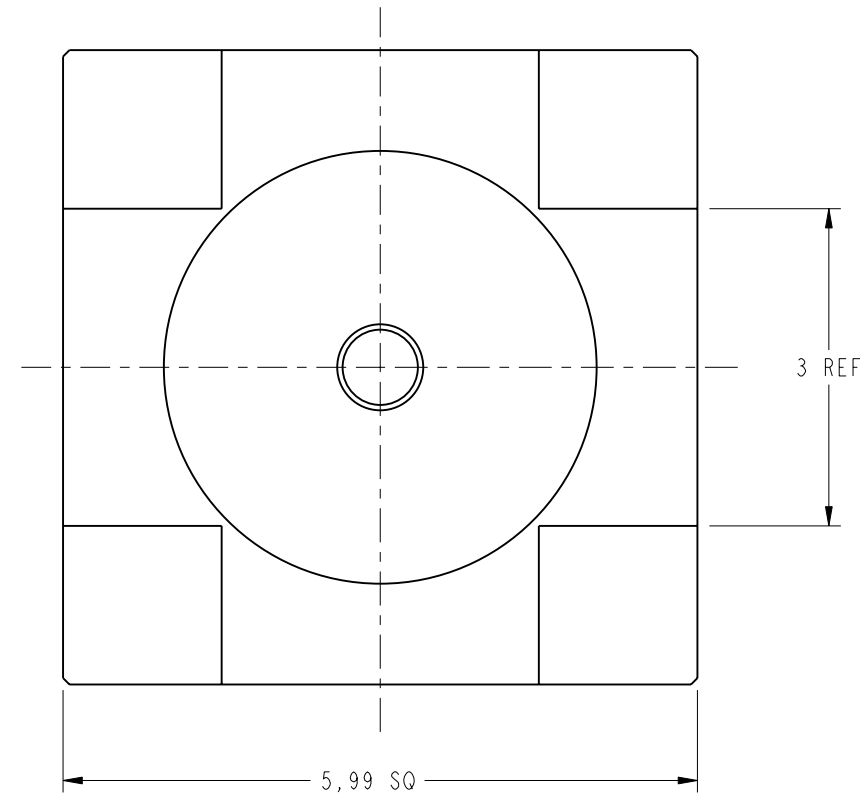
REVISIONS

REV	DESCRIPTION	DATE	ECO	APPR
A	RELEASE TO MFG.	4/13/00	43314	CPM
B	ADD PCB LAYOUT TO SHEET 2	2/21/01	43696	CPM
C	SEE SHEET 1	10/15/07	46773	AK
D	REFER SHEET 1	1/23/08	46829	NMV
E	SYNCH THE DRAWING WITH DANBURY	28-Mar-11	48511	RM



SCALE 4.000

RECOMMENDED
PCB LAYOUT
SCALE 8.000



CUSTOMER OUTLINE DRAWING
ALL OTHER SHEETS ARE FOR INTERNAL USE ONLY

UNLESS OTHERWISE SPECIFIED, DIMENSIONS ARE IN METRIC AND TOLERANCES ARE: <0.5mm ±0.05mm 0.5 - 6mm ±0.1mm 6 - 30mm ±0.2mm 30 - 120mm ±0.3mm ANGLES ±1°	MATERIAL	DRAWN R. MAO	DATE 28-Mar-11	TITLE 75 OHM MCX JACK PC MOUNT	Amphenol RF Danbury CT USA, Tainan, Taiwan, Shenzhen, China www.amphenolrf.com
	NOTICE - These drawings, specifications, or other data (1) are, and remain the property of Amphenol corp. (2) must be returned upon request; and (3) are confidential and not to be disclosed to any person other than those to whom they are given by Amphenol Corp. the finishing of these drawings, specifications, or other data by Amphenol Corp., or to any other person to anyone for any purpose is not to be regarded by implication or otherwise in any manner licensing, granting rights to permitting such holder or any other person to manufacture, use or sell any product, process or design, patented or otherwise, that may in any way be related to or disclosed by said drawings, specifications, or other data.	REFERENCE EAR 967386-1 GEN# ASSYF5.MCX 615X-1556-100	ENGINEER P. BRENZEL		
FINISH		APPROVED S. HEISH	DATE 28-Mar-11	ITEM NO. 919-132J-71P	
		CAD FILE I:\MCX\919-132J-71P	SCALE: 14.0:1.0	SHEET 2 OF 2	PART NO. 919-132J-71P