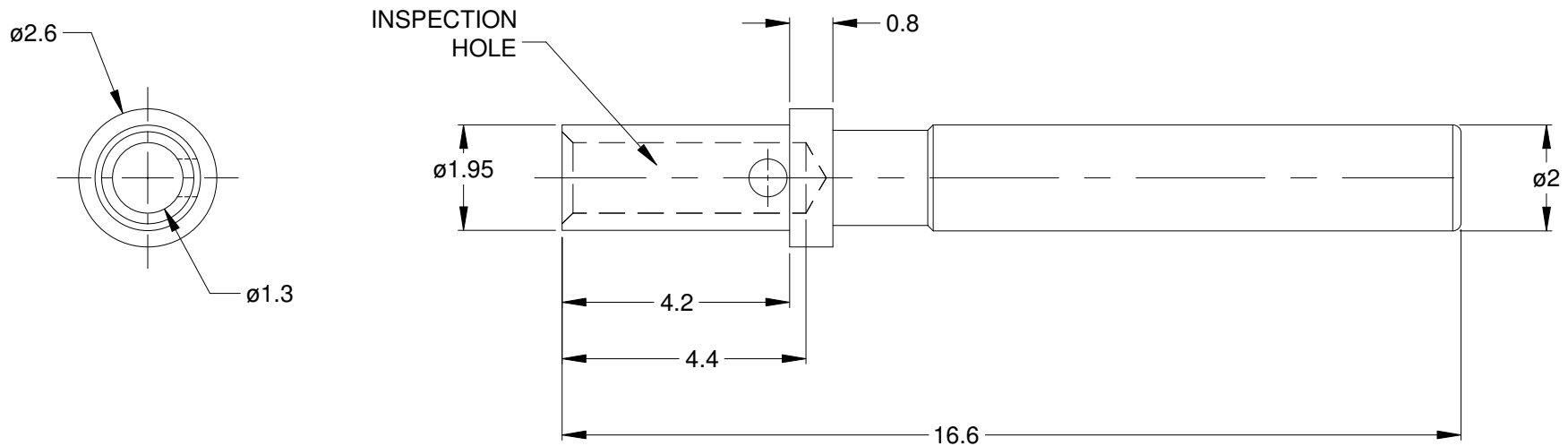


REVISIONS

REV	ECO	DESCRIPTION	DATE	BY	APPR
A3	-	RELEASE NEW DWG FORMAT	16/JUL/13	DRP	-
A4	-	MATCHED DIMS TO NEW TOOLING	28JAN15	JAH	-



NOTES: UNLESS OTHERWISE SPECIFIED

- MATERIAL: COPPER ALLOY
- PLATING: SEE PART NUMBER CHART
- CONTACT SIZE: 20
- SPECIFICATIONS:
 - CURRENT RATING: 7.5 AMPS
 - CONTACT MILLIVOLT DROP: 60 MILLIVOLT DROP @ 7.5 AMP TEST CURRENT.
 - RoHS COMPLIANT
- RECOMMENDED WIRE RANGE: 20 - 22 AWG
- AVAILABLE HAND CRIMPER: CA-5D12
- ALL DIMENSIONS ARE FOR REFERENCE USE ONLY

PART NUMBER CHART	
PLATING	PART NUMBER
GOLD	AT62-201-2031
NICKEL	AT62-201-20141

SEE PART NUMBER CHART		
PART NUMBER	DESCRIPTION	ITEM

QUANTITY	MATERIALS LIST	
UNLESS OTHERWISE SPECIFIED	SIGNATURES	DATE
1) All dimensions are in metric(mm).	DRAWN: D.PARKS	16/JUL/13
2) Tolerances are as follows:	CHECKED:	
1 PL DEC ±0.30	ENGINEER:	
2 PL DEC ±0.15	APPROVAL:	
3 PL DEC ±0.08	CUSTOMER:	
Fractions ±1/64	THIS DRAWING IS SUPPLIED FOR INFORMATION ONLY. DESIGN FEATURES, SPECIFICATIONS AND PERFORMANCE DATA SHOWN HEREON ARE THE PROPERTY OF THE AMPHENOL CORPORATION. NO RIGHTS OF REPRODUCTION ARE IMPLIED. ALL DIMENSIONS ARE SUBJECT TO NORMAL MANUFACTURING VARIATIONS.	
Angles ±1°	SIZE	TYPE
3) Note reference =	A	C-
MATERIAL SPECIFICATIONS:	DWG NO:	REVISION
PROCESS SPECIFICATIONS:	AT62-201-20XXX	A4
NEXT ASSY:	SCALE: NONE	SHEET 1 OF 1

Amphenol

Sine Systems - www.amphenol-sine.com
44724 Morley Drive
Clinton Township, MI 48036

CONTACT, SOCKET, SOLID, SIZE 20,
20 - 22 AWG, ATM SERIES