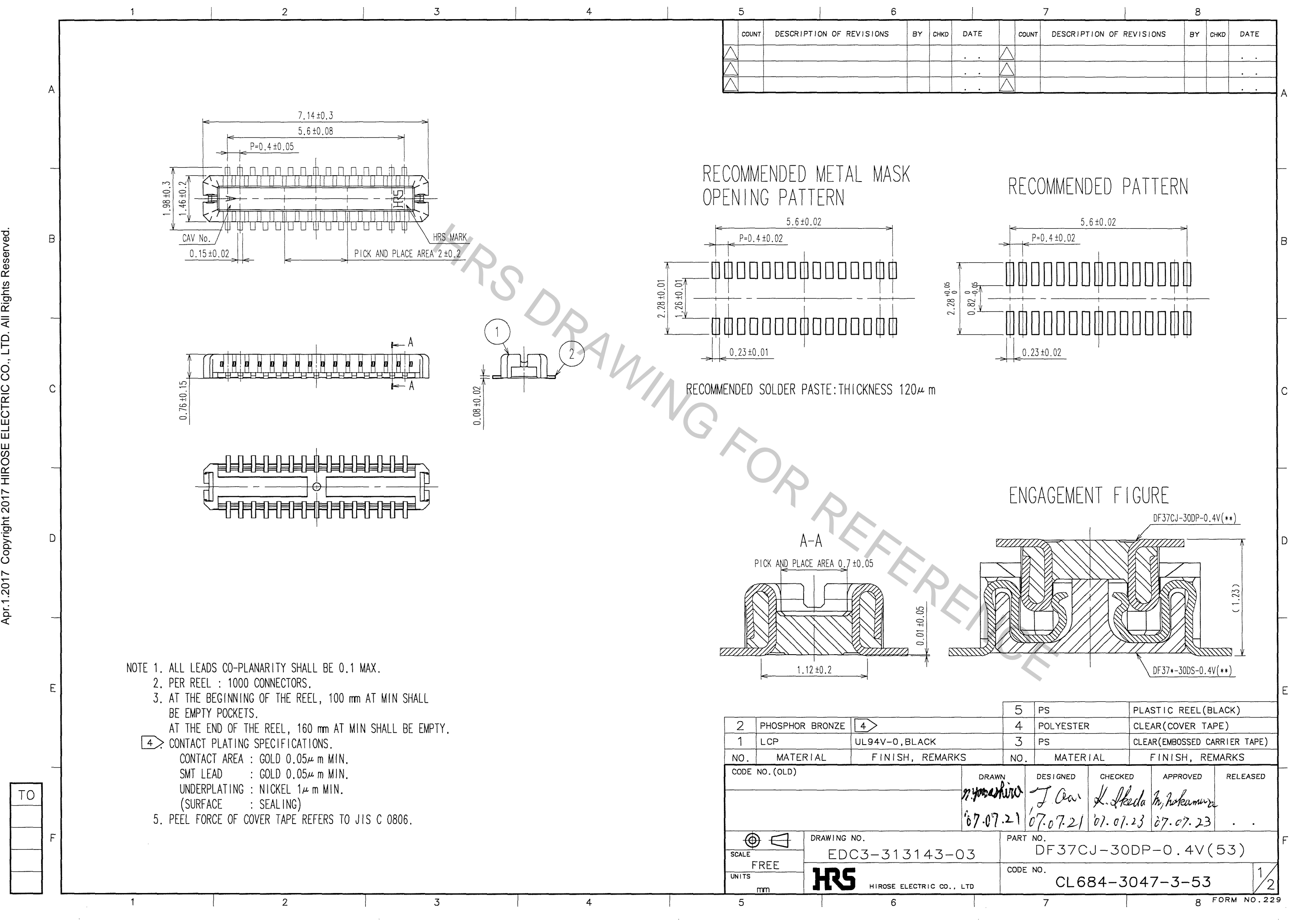


Apr.1.2017 Copyright 2017 HIROSE ELECTRIC CO., LTD. All Rights Reserved.



COUNT	DESCRIPTION OF REVISIONS	BY	CHKD	DATE	COUNT	DESCRIPTION OF REVISIONS	BY	CHKD	DATE
△					△				
△					△				
△					△				

- NOTE 1. ALL LEADS CO-PLANARITY SHALL BE 0.1 MAX.
 2. PER REEL : 1000 CONNECTORS.
 3. AT THE BEGINNING OF THE REEL, 100 mm AT MIN SHALL BE EMPTY POCKETS.
 AT THE END OF THE REEL, 160 mm AT MIN SHALL BE EMPTY.
 4. CONTACT PLATING SPECIFICATIONS.
 CONTACT AREA : GOLD 0.05μm MIN.
 SMT LEAD : GOLD 0.05μm MIN.
 UNDERPLATING : NICKEL 1μm MIN.
 (SURFACE : SEALING)
 5. PEEL FORCE OF COVER TAPE REFERS TO JIS C 0806.

TO

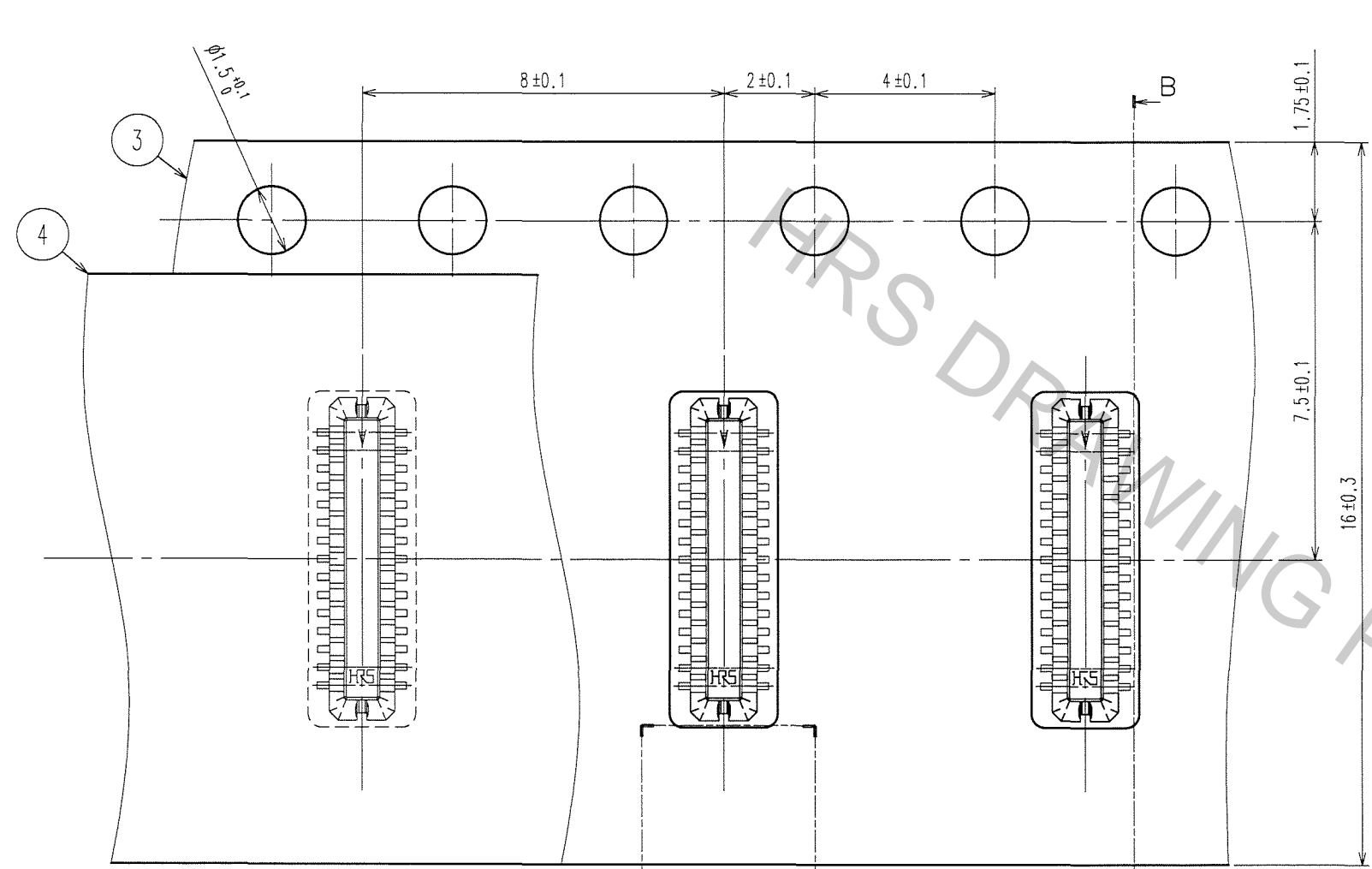
2	PHOSPHOR BRONZE	4	5	PS	PLASTIC REEL (BLACK)	
1	LCP	UL94V-0, BLACK	4	POLYESTER	CLEAR (COVER TAPE)	
			3	PS	CLEAR (EMBOSSED CARRIER TAPE)	
NO.	MATERIAL	FINISH, REMARKS	NO.	MATERIAL	FINISH, REMARKS	
CODE NO. (OLD)		DRAWN	DESIGNED	CHECKED	APPROVED	RELEASED
		<i>Y. Yamashiro</i>	<i>J. Oae</i>	<i>K. Ikeda</i>	<i>M. Nakamura</i>	
		07.07.21	07.07.21	07.07.23	07.07.23	
DRAWING NO. EDC3-313143-03			PART NO. DF37CJ-30DP-0.4V(53)			
UNITS mm			CODE NO. CL684-3047-3-53			
HRS HIROSE ELECTRIC CO., LTD			1/2			

Apr.1.2017 Copyright 2017 HIROSE ELECTRIC CO., LTD. All Rights Reserved.

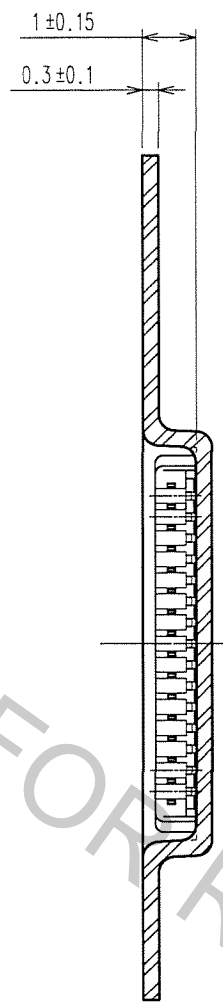
COUNT	DESCRIPTION OF REVISIONS	BY	CHKD	DATE	COUNT	DESCRIPTION OF REVISIONS	BY	CHKD	DATE

A
B
C
D
E
F

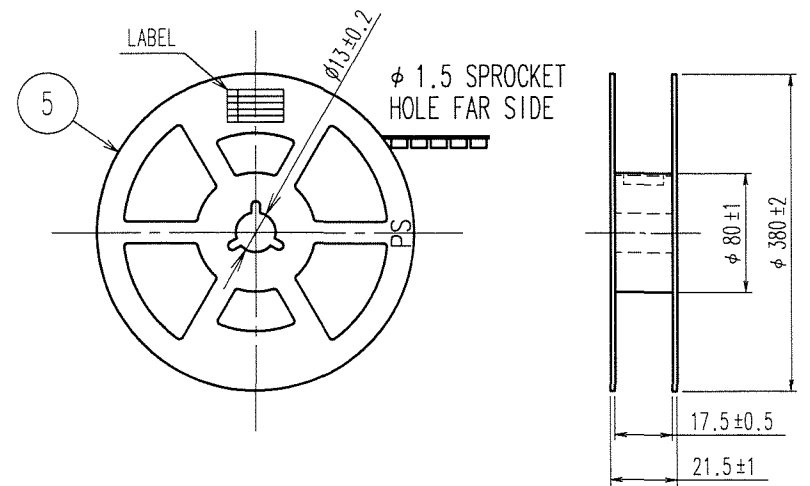
A
B
C
D
E
F



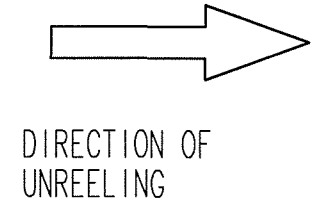
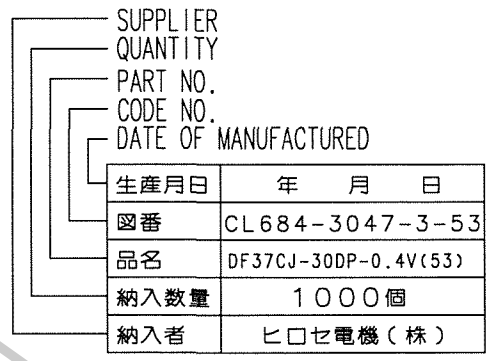
B-B



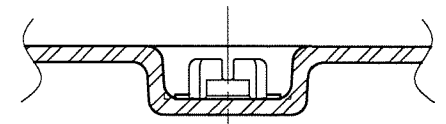
STYLE AND DIMENSION OF REEL (FREE SIZE)



DETAIL OF PART NO. LABEL



C-C



TO

CODE NO. (OLD)	DRAWN	DESIGNED	CHECKED	APPROVED	RELEASED
	<i>n.yamashiro</i>	<i>T. Oai</i>	<i>K. Ikeda</i>	<i>M. Yokomura</i>	
	'07.07.21	'07.07.21	'07.07.23	'07.07.23	
SCALE	DRAWING NO.	PART NO.			
FREE	EDC3-313143-03	DF37CJ-30DP-0.4V(53)			
UNITS		CODE NO.			
mm	HRS HIROSE ELECTRIC CO., LTD	CL684-3047-3-53	2		