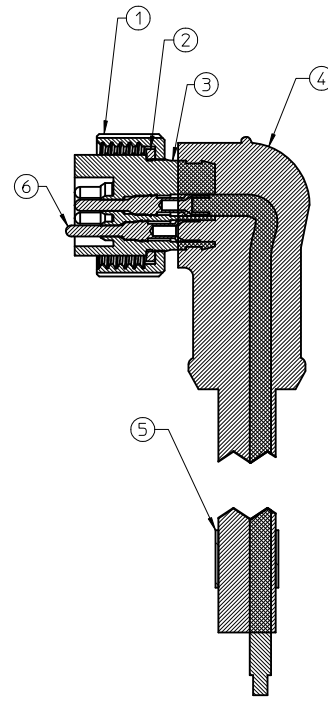
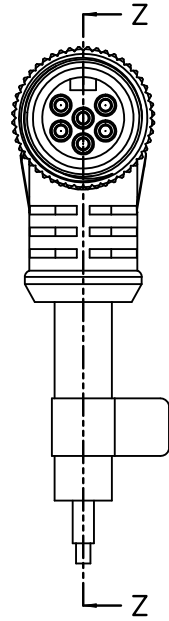
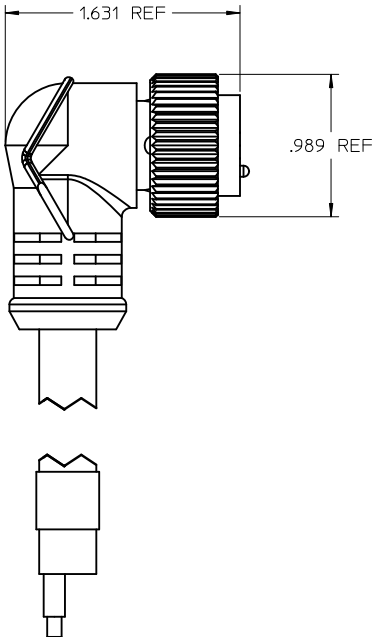


FRONT VIEW - MALE ASSEMBLY

1. WHITE 2. BLACK	1. GREEN/YELLOW 2. BLACK 3. WHITE	1. BLACK 2. WHITE 3. RED 4. GREEN/YELLOW	1. WHITE 2. RED 3. GREEN/YELLOW 4. ORANGE 5. BLACK	1. WHITE 2. RED 3. GREEN/YELLOW 4. ORANGE 5. BLACK 6. BLUE



Section Z-Z

ENTER DESCRIPTION EC NO: WNA2010-0429 DRWN: BWOODMAN 2010/01/12 CHKD: 2010/01/14 APPR: JFMURPHY 2010/01/14	QUALITY SYMBOLS ▽=0 ▽=0	GENERAL TOLERANCES (UNLESS SPECIFIED)		DIMENSION STYLE IN/MM	SCALE 1.5:1	DESIGN UNITS INCH	THIRD ANGLE PROJECTION		
		4 PLACES ± --- ± --- 3 PLACES ± --- ± --- 2 PLACES ± --- ± --- 1 PLACE ± --- ± ---	mm INCH	DRAWN BY NKUMAR01	DATE 01/11/2010	TITLE MC 6P MP 90D 16/4 STOOW			
		ANGULAR ±1/2°		CHECKED BY BWOODMAN	DATE 01/11/2010	APPROVED BY JFMURPHY			
		DRAFT WHERE APPLICABLE MUST REMAIN WITHIN DIMENSIONS		MATERIAL NO. 9999999999	DATE 2010/01/14	MOLEX INCORPORATED	DOCUMENT NO. SD-130006-035	SHEET NO. 1 OF 2	

MINI A SIZE 90° MALE ASSEMBLY

2 POLE	3 POLE	4 POLE	5 POLE	6 POLE
--------	--------	--------	--------	--------

Sl. No.	DESCRIPTION	MATERIAL	FINISH	QUANTITY				
1	COUPLING NUT	ZINC DIECAST	BLACK E-COATED	1	1	1	1	1
2	FRICTION RING	NYLON	NATURAL	1	1	1	1	1
3	2P MALE INSERT PVC A SIZE	PVC	YELLOW	1				
	3P MALE INSERT PVC A SIZE	PVC	YELLOW		1			
	4P MALE INSERT PVC A SIZE	PVC	YELLOW			1		
	5P MALE INSERT PVC A SIZE	PVC	YELLOW				1	
	6P MALE INSERT PVC A SIZE	PVC	YELLOW					1
4	#16 AWG YELLOW STOOV/ST CORD	PVC JACKET	YELLOW	2	3	4	5	6
5	LABEL.WRAP AROUND LABEL-2 x 3	PLASTIC FILM	BLACK/YELLOW	1	1	1	1	1
6	PIN CONTACT	COPPER ALLOY	GOLD PLATED	1	1	1	1	1

POLE COUNT	MAX. VOLTAGE RATING	MAX. CURRENT RATING	CABLE DIAMETER
2 POLE	600 VOLTS	13 AMPS	.37" /9.4mm
3 POLE	600 VOLTS	13 AMPS	.41" /10.4mm
4 POLE	600 VOLTS	10 AMPS	.42" /10.7mm
5 POLE	600 VOLTS	8 AMPS	.50" /12.7mm
6 POLE	600 VOLTS	8 AMPS	.54" /13.7mm

PART NUMBER	DESCRIPTION	FINISHED LENGTH
1300060192	102003A01F030	3' +1.75" -0 [.9M + 44.5 -0]
1300060194	102003A01F060	6' +2.19" -0 [1.8M + 55.6 -0]
1300060196	102003A01F120	12' +3.50" -0 [3.7M +88.9 -0]
1300060200	102003A01F200	20' +6.50" -0 [6.1M +165.1 -0]
1300060643	103003A01F030	3' +1.75" -0 [.9M + 44.5 -0]
1300060647	103003A01F060	6' +2.19" -0 [1.8M + 55.6 -0]
1300060651	103003A01F120	12' +3.50" -0 [3.7M +88.9 -0]
1300060657	103003A01F200	20' +6.50" -0 [6.1M +165.1 -0]
1300061084	104003A01F030	3' +1.75" -0 [.9M + 44.5 -0]
1300061087	104003A01F060	6' +2.19" -0 [1.8M + 55.6 -0]
1300061090	104003A01F120	12' +3.50" -0 [3.7M +88.9 -0]
1300061095	104003A01F200	20' +6.50" -0 [6.1M +165.1 -0]
1300061516	105003A01F030	3' +1.75" -0 [.9M + 44.5 -0]
1300061518	105003A01F060	6' +2.19" -0 [1.8M + 55.6 -0]
1300061521	105003A01F120	12' +3.50" -0 [3.7M +88.9 -0]
1300061524	105003A01F200	20' +6.50" -0 [6.1M +165.1 -0]
1300061700	106003A01F030	3' +1.75" -0 [.9M + 44.5 -0]
1300061703	106003A01F060	6' +2.19" -0 [1.8M + 55.6 -0]
1300061706	106003A01F120	12' +3.50" -0 [3.7M +88.9 -0]
1300061713	106003A01F200	20' +6.50" -0 [6.1M +165.1 -0]

ENTER DESCRIPTION EC NO: MNA2010-0429 DRWN: BWOODMAN 2010/01/12 CHKD: 2010/01/14 APPR: JFMURPHY 2010/01/14	QUALITY SYMBOLS ▽=0 ▽=0	GENERAL TOLERANCES (UNLESS SPECIFIED)		DIMENSION STYLE IN/MM		SCALE 3:1	DESIGN UNITS INCH	THIRD ANGLE PROJECTION
		4 PLACES ± --- INCH 3 PLACES ± --- INCH 2 PLACES ± --- INCH 1 PLACE ± --- INCH		DRAWN BY DATE NKUMAR01 01/11/2010		TITLE MC 6P MP 90D 16/4 STOOV		
		ANGULAR ±1/2°		CHECKED BY DATE BWOODMAN 01/11/2010		APPROVED BY DATE JFMURPHY 2010/01/14		
		DRAFT WHERE APPLICABLE MUST REMAIN WITHIN DIMENSIONS		MATERIAL NO. 9999999999		DOCUMENT NO. SD-130006-035		
		1		SIZE THIS DRAWING CONTAINS INFORMATION THAT IS PROPRIETARY TO MOLEX INCORPORATED AND SHOULD NOT BE USED WITHOUT WRITTEN PERMISSION		SHEET NO. 2 OF 2		