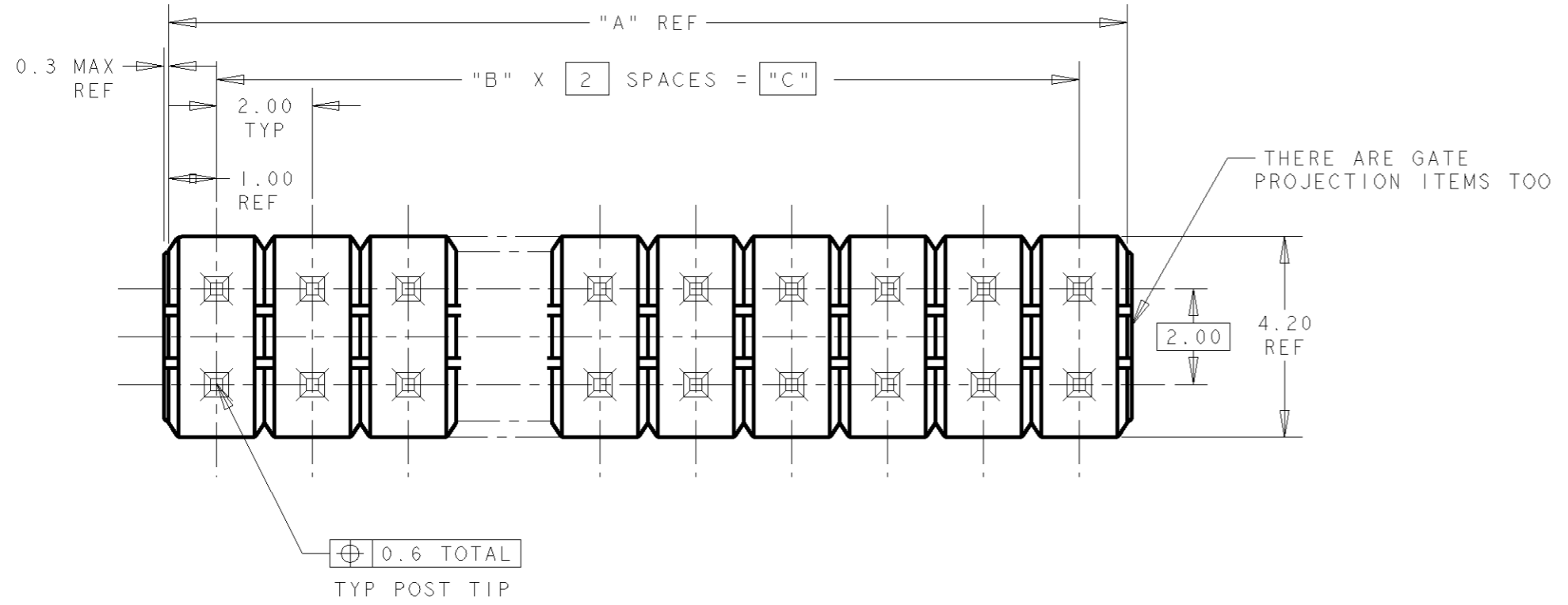


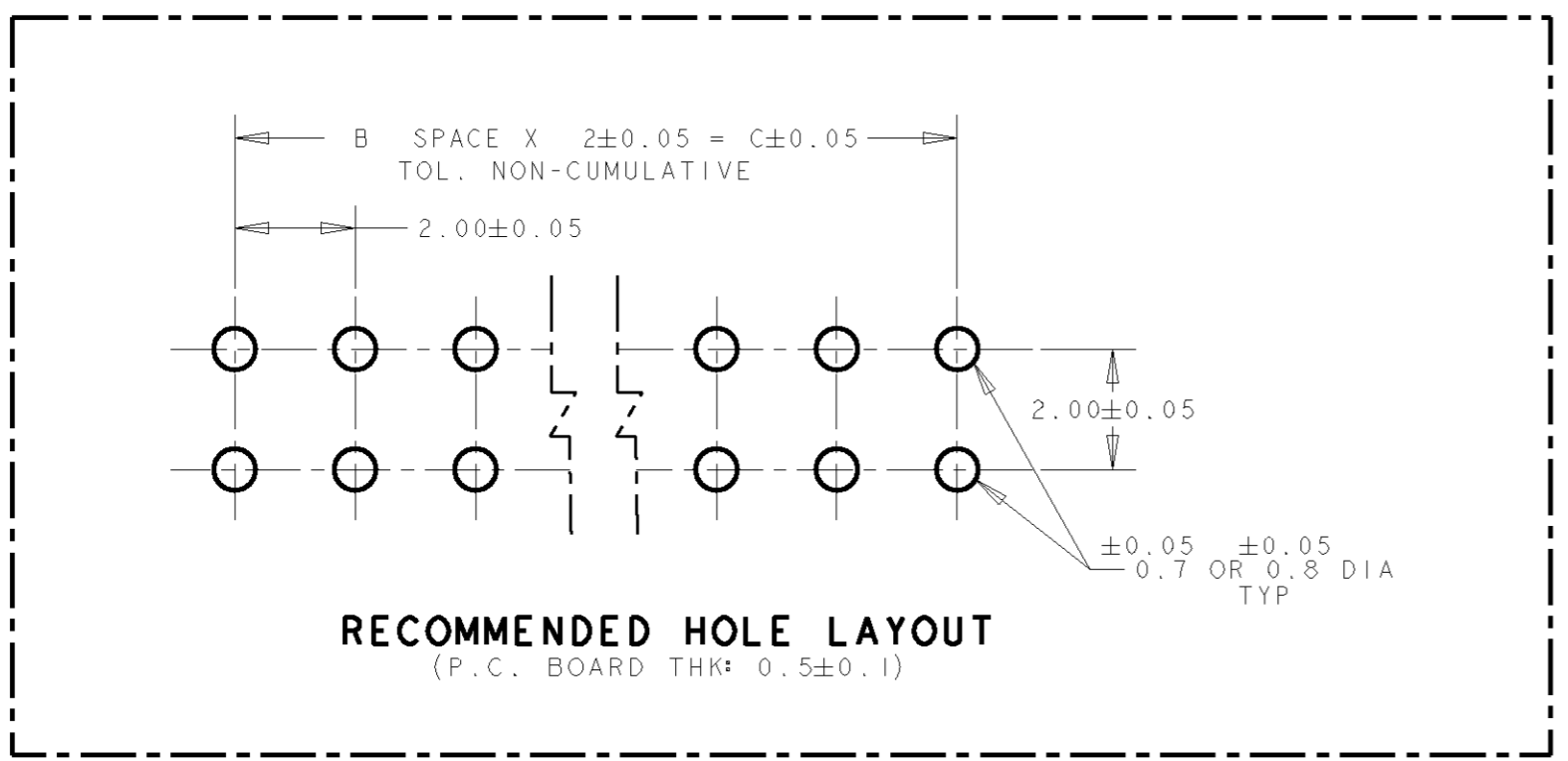
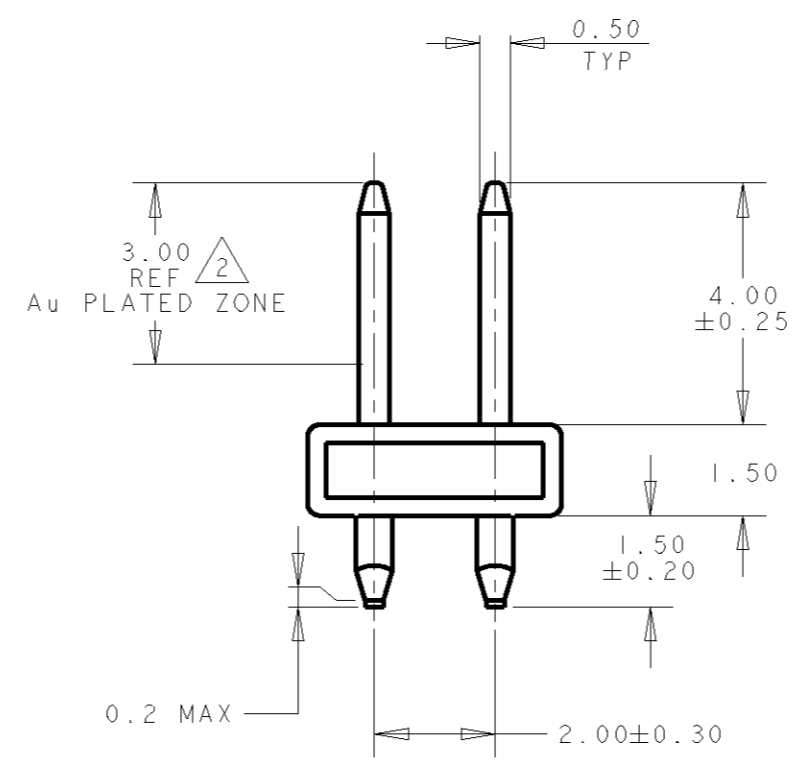
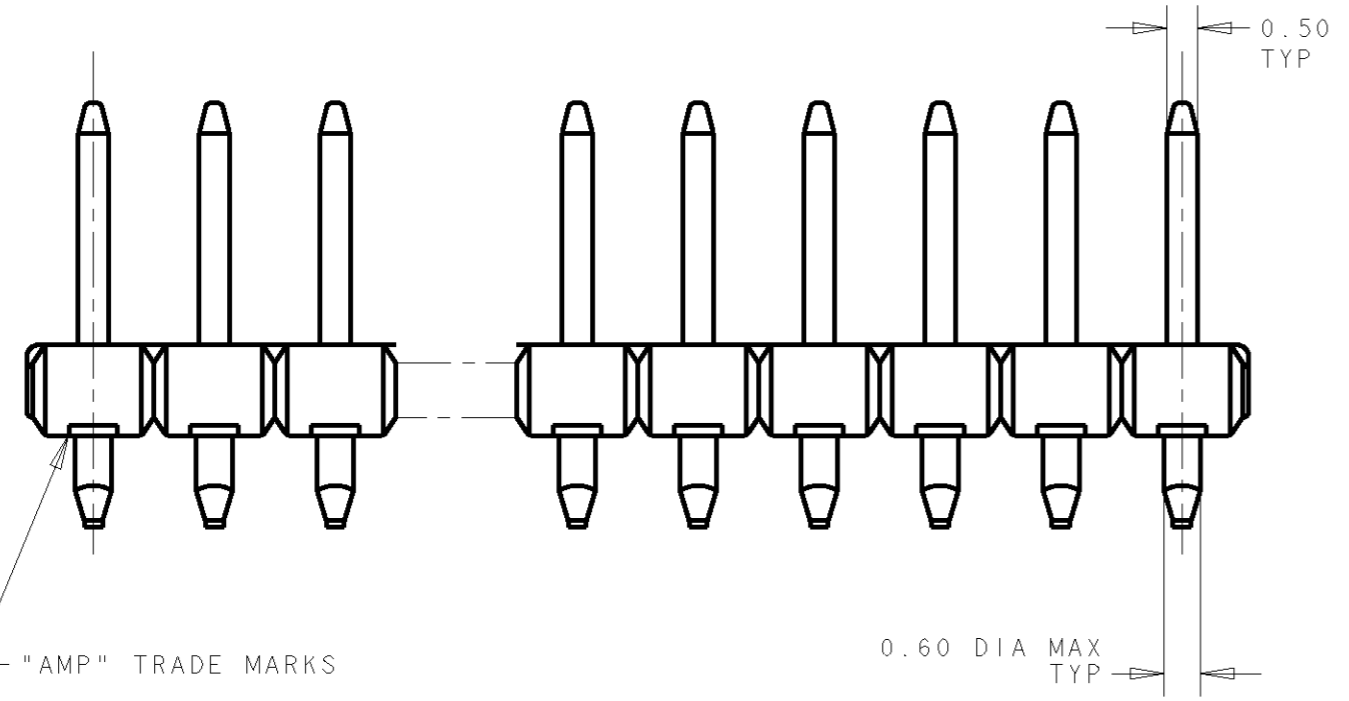
THIS DRAWING IS UNPUBLISHED. RELEASED FOR PUBLICATION  
 © COPYRIGHT BY ALL RIGHTS RESERVED.

LOC	DIST	REVISIONS			
P	LTR	DESCRIPTION	DATE	DWN	APVD
DY	-	P REVISED PER ECO-11-005139	19MAR11	RK	HMR



NOTES:  
 1 MATERIAL HOUSING: THERMOPLASTIC, UL94V-0, POST: BRASS  
 2 FINISH CONTACT AREA, 'D' MIN Au ON NICKEL 0.0013 MIN ALL OVER POST TINE: 0.001 MIN MATTE TIN

⊕ 0.6 TOTAL TYP POST TIP



0.00076	48	24	2	2	5-	-0
0.0002	46	23	2	2	4-	-9
	44	22	50	50	4-	-8
	42	21	48	48	4-	-7
	40	20	46	46	4-	-6
	38	19	44	44	4-	-5
	36	18	42	42	4-	-4
	34	17	40	40	4-	-3
	32	16	38	38	4-	-2
	30	15	36	36	4-	-1
	28	14	34	34	4-	-0
	26	13	32	32	3-	-9
	24	12	30	30	3-	-8
	22	11	28	28	3-	-7
	20	10	26	26	3-	-6
	18	9	24	24	3-	-5
	16	8	22	22	3-	-4
	14	7	20	20	3-	-3
	12	6	18	18	3-	-2
	10	5	16	16	3-	-1
	8	4	14	14	3-	-0
	6	3	12	12	2-	-9
	4	2	10	10	2-	-8
	2	1	8	8	2-	-7
	2	1	6	6	2-	-6
0.00076	48	24	4	4	2-	-5
	46	23	4	4	2-	-4
	44	22	48	48	2-	-3
	42	21	46	46	2-	-2
	40	20	44	44	2-	-1
	38	19	42	42	2-	-0
	36	18	40	40	1-	-9
	34	17	38	38	1-	-8
	32	16	36	36	1-	-7
	30	15	34	34	1-	-6
	28	14	32	32	1-	-5
	26	13	30	30	1-	-4
	24	12	26	26	1-	-2
	22	11	24	24	1-	-1
	20	10	22	22	1-	-0
	18	9	20	20		-9
	16	8	18	18		-8
	12	6	14	14		-6
	8	4	10	10		-4
0.0002	2	1	4	4	5178751-1	
"D"	"C"	"B" SPACES	"A" REF	NO OF POS	ASS'Y P/N	

DIMENSIONS: mm		TOLERANCES UNLESS OTHERWISE SPECIFIED:		DWN WYLEE 5APR05		TE Connectivity	
0 PLC ±		1 PLC ±		CHK VINCENT TAN		NAME AMPMODU 2mm PITCH POST HEADER, V-TYPE, L=1.5	
2 PLC ±		3 PLC ±		APVD SE LEONG		SIZE A2	
4 PLC ±		ANGLES ±		PRODUCT SPEC -		CAGE CODE 00779	
FINISH 2		FINISH 2		APPLICATION SPEC -		DRAWING NO 5178751	
GENERAL TOLERANCE		MATERIAL 1		WEIGHT -		SCALE 8:1	
0<+ 10 : ±0.2				CUSTOMER DRAWING		SHEET OF REV P	
10<+ 30 : ±0.25							
30<+ 100 : ±0.3							
ANGLES : ±3°							