

REVISIONS		DATE	DWN	APVD
ÄNDERUNGEN				
P	LTR	DESCRIPTION		
		BESCHREIBUNG		
	A2	DESCRIPTION CORRECTED FROM SOLDER TO SCREW TERMINAL IN TITLE BLOCK	13NOV2014	CR JK

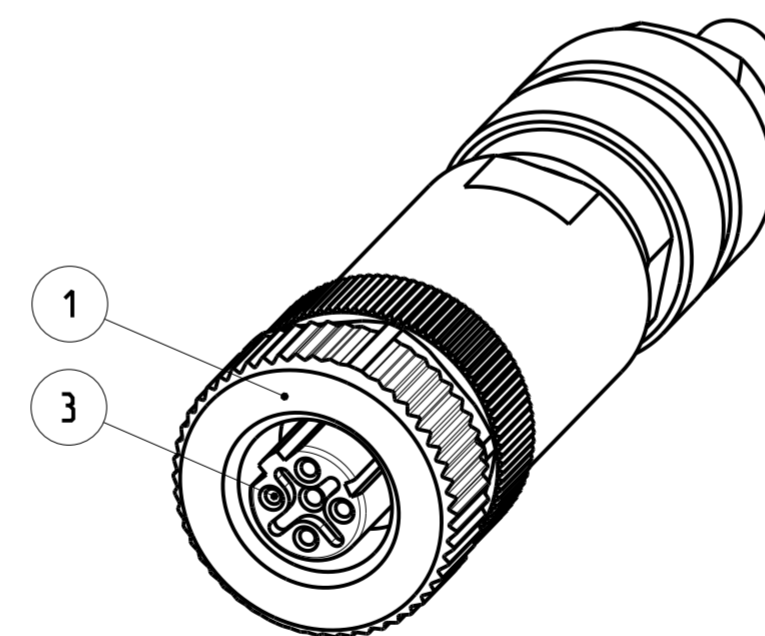
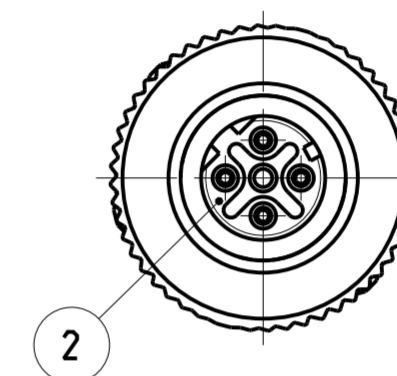
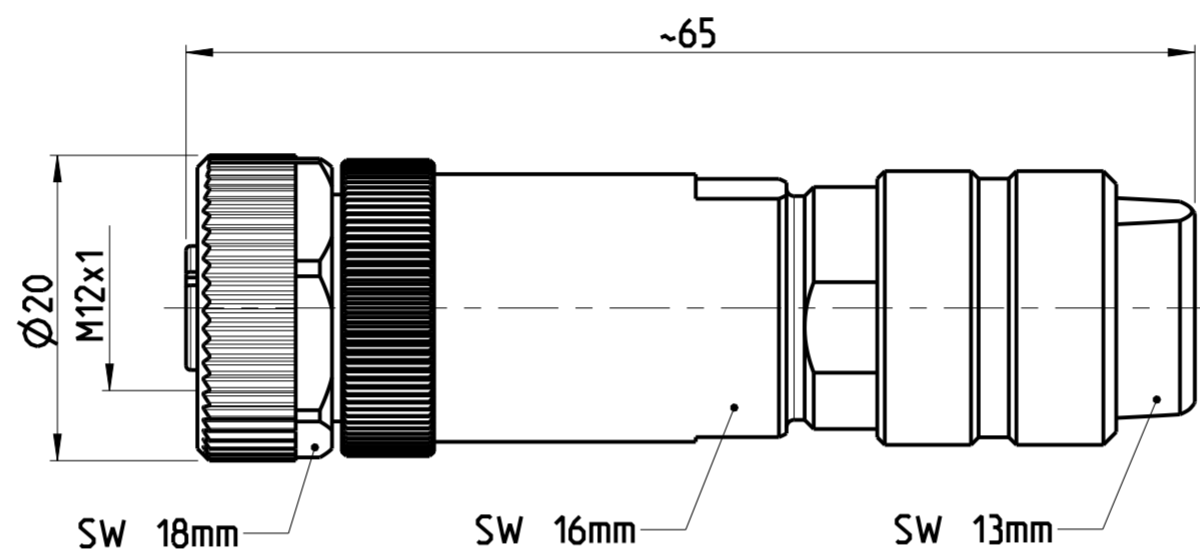
1 MATERIAL: ITEM NO. 1: HOUSING - ZINC DIECASTING, NICKEL PLATED
 ITEM NO. 2: CONTACT BODY - PA
 ITEM NO. 3: CONTACT - CuZn (brass)

2 CONTACT FINISH - Au (gold)

3 ALL DIMENSIONS ARE FOR NOMINAL REFERENCE ONLY UNLESS OTHERWISE STATED

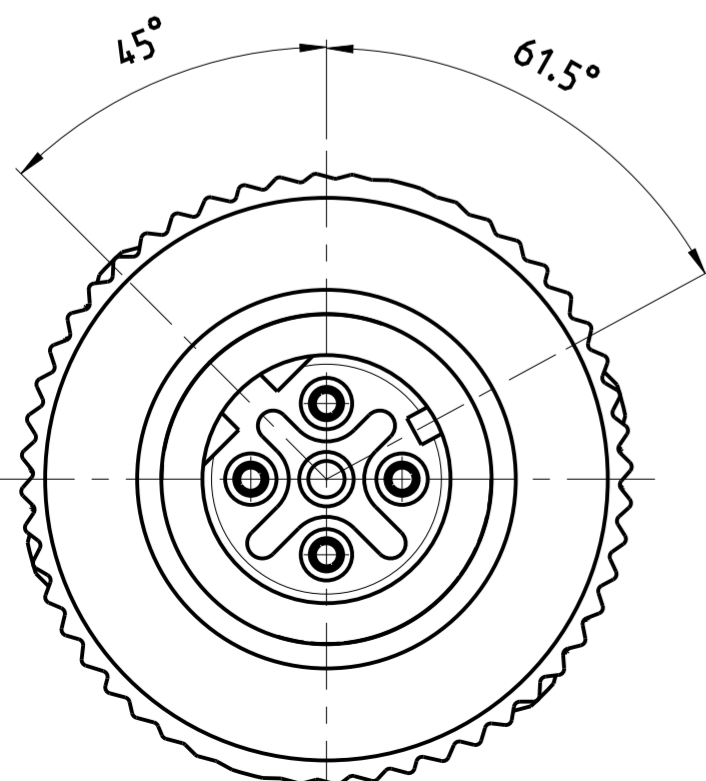
4 MEASUREMENT REFERENCE ONLY

5 PACKAGING: 1 PIECE IN A BAG



PIN ARRANGEMENT
D-CODING (SCALE 4:1)

3-2271121-2



TECHNICAL DATA	3-2271121-2
RATED VOLTAGE	250V
RATED IMPULSE VOLTAGE	2500V
POLLUTION DEGREE	3
OVERVOLTAGE CATEGORY	II
MATERIAL GROUP	III
RATED CURRENT	4A
VOLUME RESISTIVITY	≤ 3mΩ
DEGREE OF PROTECTION	IP67
UPPER TEMPERATURE	+85 °C
LOWER TEMPERATURE	-40 °C

5-8	18 / 0.75mm ²	△ △	4	3-2271121-2
CABLE FEED-THROUGH mm	WIRES AWG / mm ²	MATERIAL	NUMBER OF POLES	TE-PART-NO.

DIESE ZEICHNUNG IST EIN KONTROLLIERTES DOKUMENT. BEMASSUNGEN UND TOLERANZEN GEMAESS GPS (ISO STANDARDS).
 THIS DRAWING IS A CONTROLLED DOCUMENT. DIMENSIONING AND TOLERANCING PER GPS (ISO STANDARDS).

DIMENSIONS: MASSE/MASSSTAB: (MM)	TOLERANCES UNLESS OTHERWISE SPECIFIED: ALLGEMEINTOLERANZEN	DWN YASHKUMAR 28APR2014	CHK M.STRELOW 28APR2014	APVD C.SCHREITLINGER 28APR2014
0 PLC ±	1 PLC ±	2 PLC ±	3 PLC ±	4 PLC ±
ANGLES/WINKEL	FINISH/OBERFLÄCHE/FARBE	PRODUCT SPEC 108-19483	APPLICATION SPEC 114-32127	WEIGHT GEWICHT
MATERIAL		Customer Drawing	/KUNDENZEICHNUNG	SCALE MASSSTAB 2:1

TE Connectivity		NAME M12 RECEPTACLE, STRAIGHT FIELD INSTALLABLE, SHIELDED CONNECTOR, SCREW TERMINALS, D-CODING	
		SIZE A2	CAGE CODE 00779
DRAWING NO. ZEICHNUNGS-NR. G-2271121		RESTRICTED TO NUR FÜR	
SHEET BLATT 1 OF 1		REV A2	

SIZE ISO 14405 (E)