

1

2

3

4

5

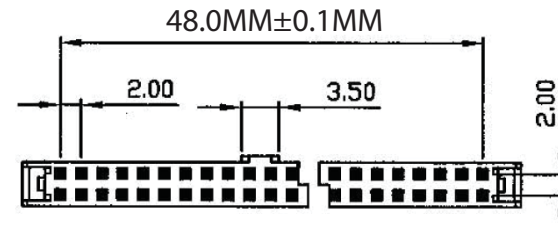
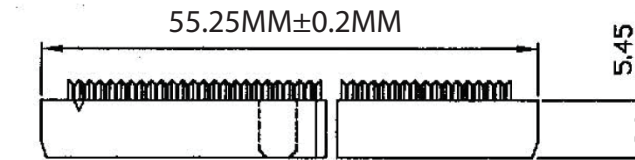
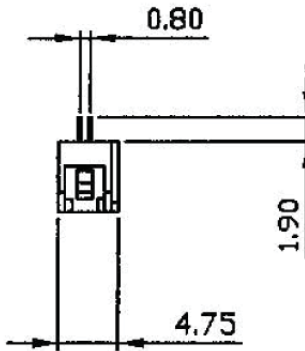
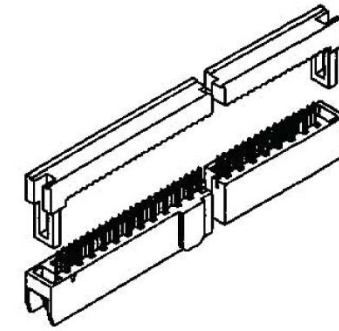
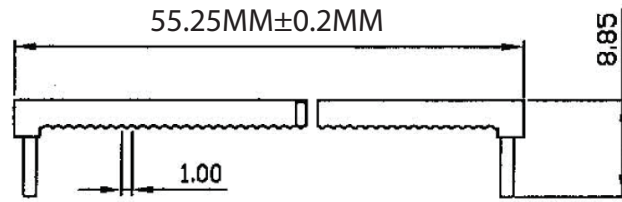
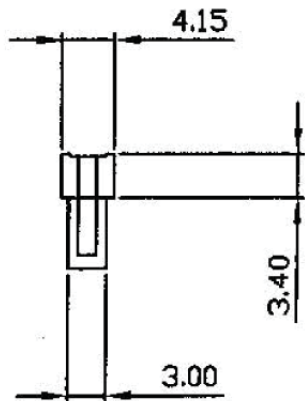
6

7

A

A

I.D.C. Socket Dual-Row, No SR



Materials:

- Insulator: P.B.T. 30% Glass Fiber, UL94V-0
- Contact Material: Phosphor Bronze
- Gold Flash over Nickel

Electrical:

- Current Rating: 1 Amp
- Insulation Resistance: 1,000MΩ Min.
- Dielectric Withstanding, 500V AC
- Operating Temperature: -55°C ~ +105°C

Unit: MM±0.3MM

B

B

C

C

D

D

E

E

F

F

G

G

Scale	1:1					Name		Item No.	AWP2-50-7240-T-R		
TOLERANCE						Drawn	10.19.11	Chappell	Title		
X.X	±0.40					Approved			IDC-Socket, Pitch 2.0MM, 50 Contacts		
X.XX	±0.25								Central Guide Lug w/o Strain Relief, Gold Flash		
X.XXX	±0.15								Drawing No.		
Angle	±3°									rev00	
										Replace	Sheet
		Modification	Date	Name							



H

H

1

2

3

4

5

6

7