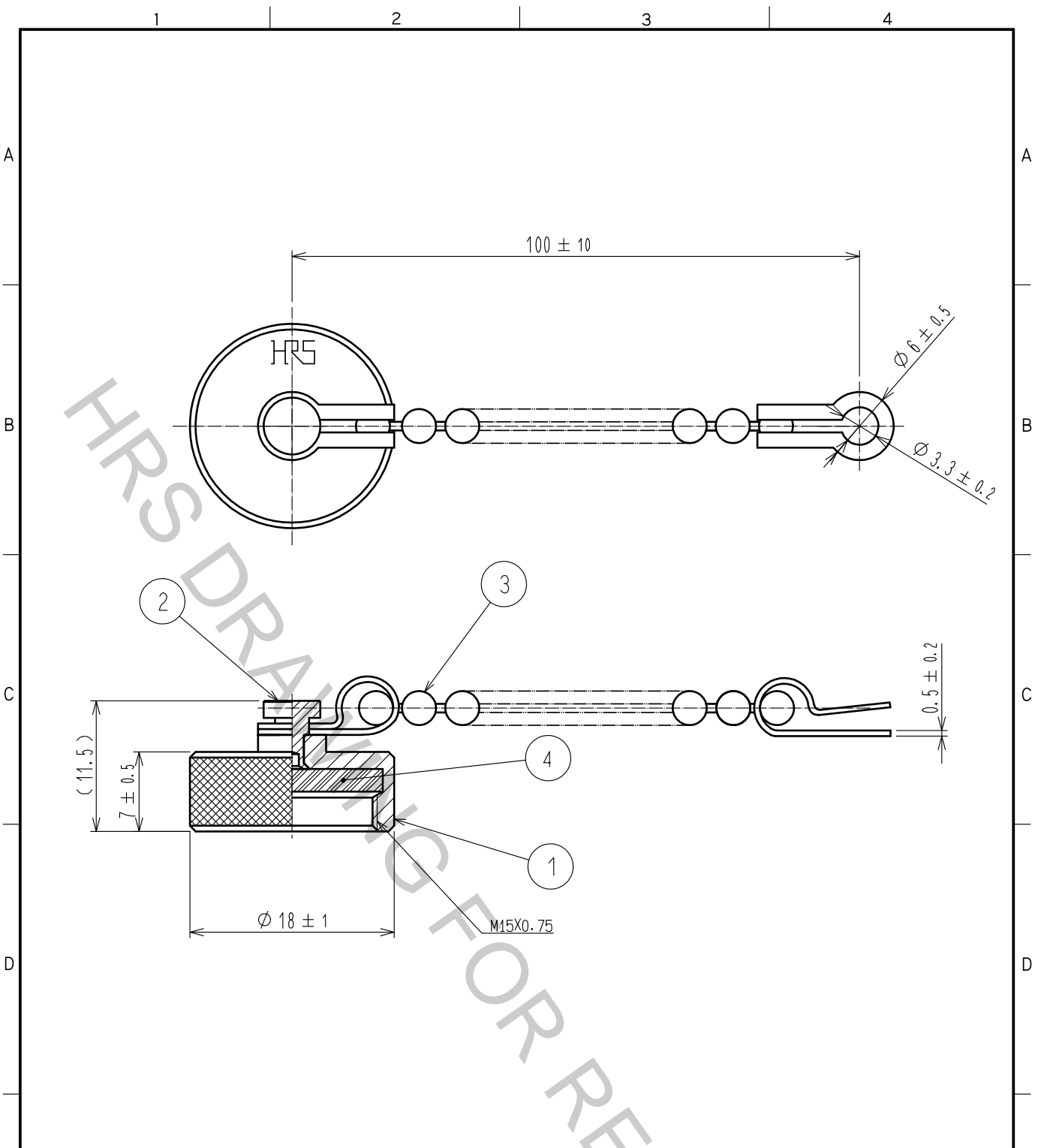


Aug.1.2018 Copyright 2018 HIROSE ELECTRIC CO., LTD. All Rights Reserved.
 In case that the application demands a high level of reliability, such as automotive,
 please contact a company representative for further information.



NOTE 1. THIS PRODUCT IS A CAP FOR HR22-12WRTR※-※(※). AND IT IS APPLICABLE REGARDLESS OF GIVEN ALPHABETS AND/OR NUMBERS SHOWN AT ※.

2	Brass	Nickel plating	4	Chloroprene rubber	(Black)			
1	Brass	Nickel plating	3	Brass	Nickel plating			
NO.	MATERIAL	FINISH . REMARKS	NO.	MATERIAL	FINISH . REMARKS			
UNITS mm		SCALE 2 : 1	COUNT 	DESCRIPTION OF REVISIONS	DESIGNED	CHECKED	DATE	
HIROSE ELECTRIC CO., LTD.		APPROVED	·HY. KOBAYASHI	18.02.22	DRAWING NO.	EDC-110521-31-00		
		CHECKED	·HY. KOBAYASHI	18.02.22	PART NO.	HR22-12WTR-C(31)		
		DESIGNED	·HY. KISHI	18.02.21	CODE NO.	CL122-0029-8-31		1/1
		DRAWN	·MK. INOUE	18.02.06				