

DO NOT SCALE

DIMENSIONS IN mm

METRIC

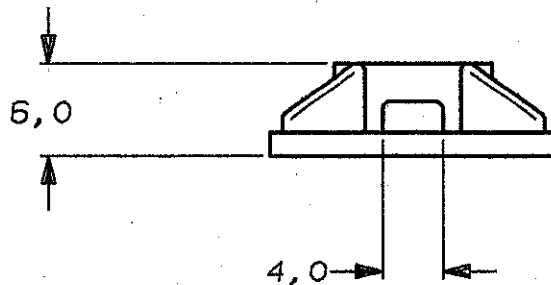
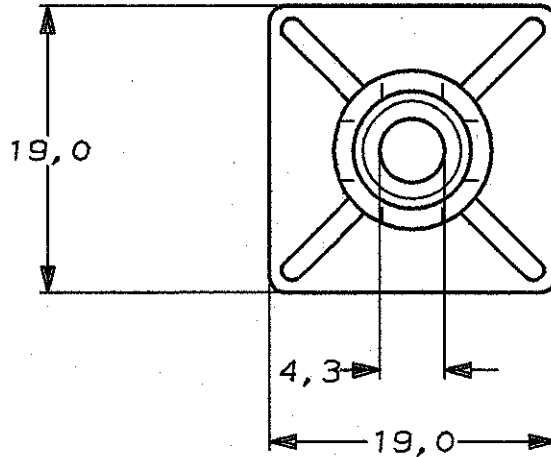
THIRD ANGLE

PROJECTION



NOTES:

- 1 MAX. CABLE TIE WIDTH 3,6.
- 2 TENSILE STRENGTH 210 kPa
- 3 APPL. TEMP. RANGE +5 - +50°C.



FINISH		MATERIAL		PARTNUMBER	QTY
BLACK		POLYAMIDE 6/6		2-100733-2	100
NATURAL		POLYAMIDE 6/6		2-100733-1	100
-		-		CUSTOMER DRAWING FOR REFERENCE ONLY WILL NOT BE UPDATED	
-		-		© COPYRIGHT 19- BY AMP HOLLAND B.V. ALL INTERNATIONAL RIGHTS RESERVED. AMP PRODUCTS MAY BE COVERED BY U.S. AND FOREIGN AND/OR PATENTS PENDING.	
-		-		THIS DRAWING IS UNPUBLISHED RELEASED FOR PUBLICATION _____, 19____	
-		-		AMP AMP HOLLAND B.V. 's-Hertogenbosch, The Netherlands.	
0		H-9856		NAME MOUNTING BASE.	
LTR.		REVISION RECORD		DR. CHK. DATE	
DR. : R. DAAMEN		CHK. : R. VOS.		APP. : L.V. SOEST.	
DATE: 14-08-92		DATE: -		DATE: -	
DWG. No.		REV. LTR.		SHEET	
C-100733		0		1 OF 1	
				A4	