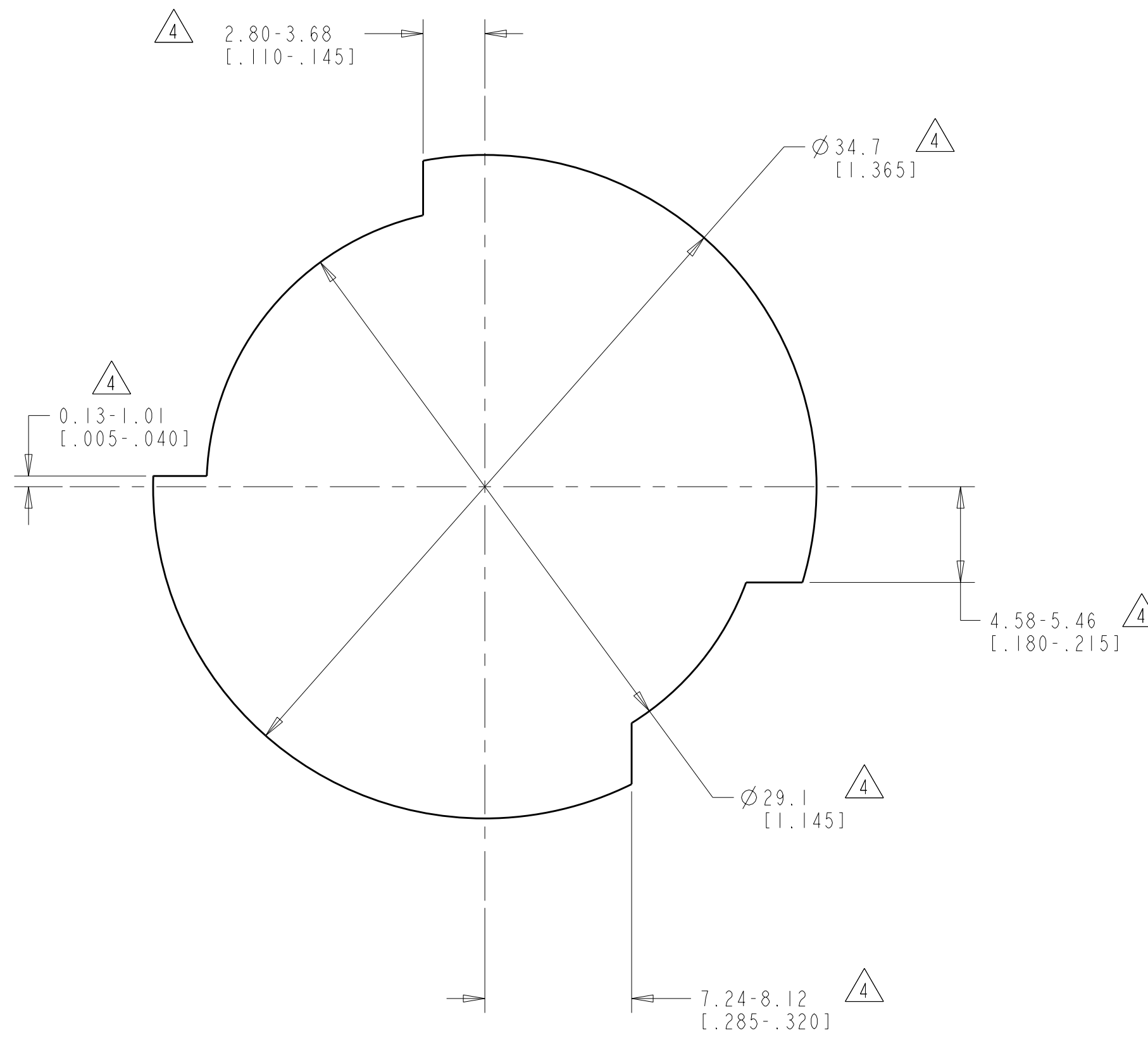
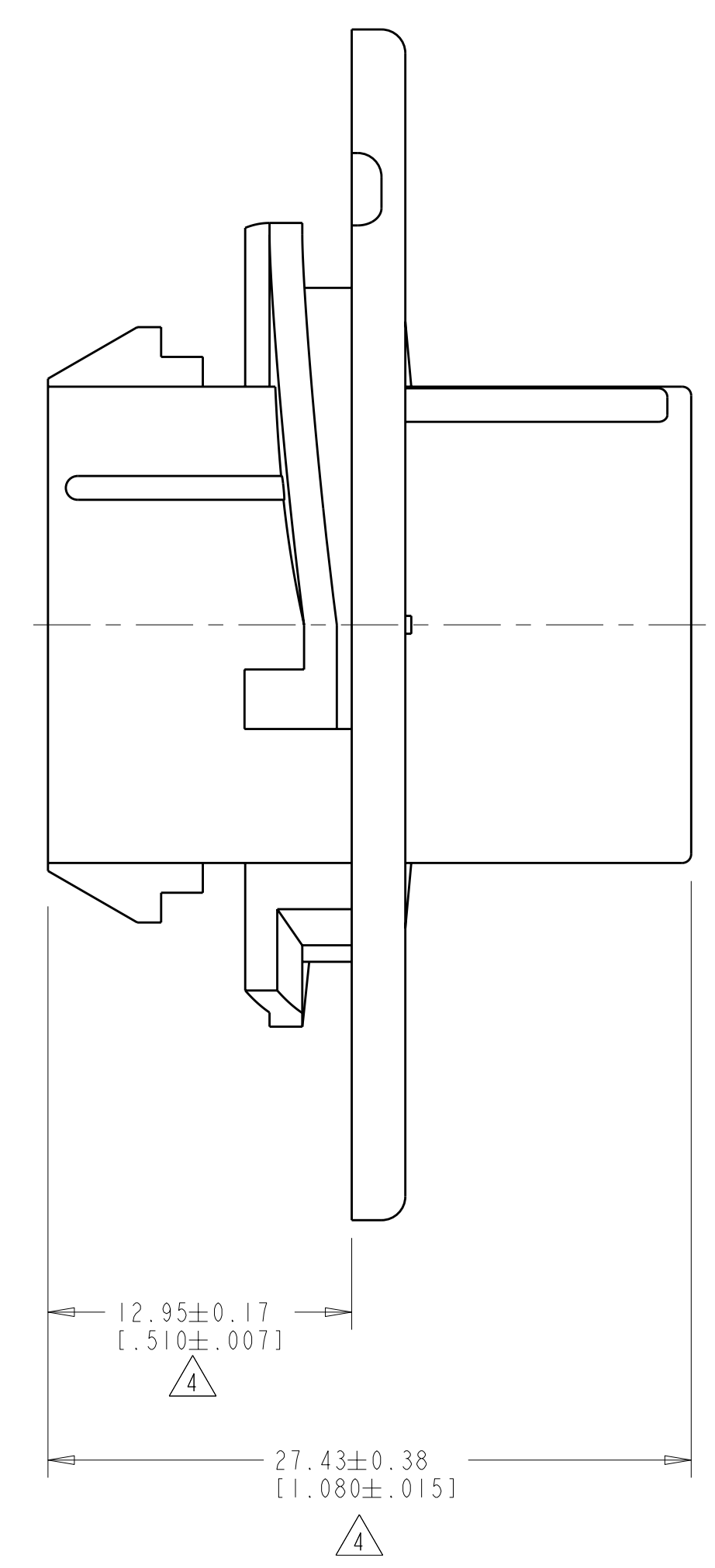
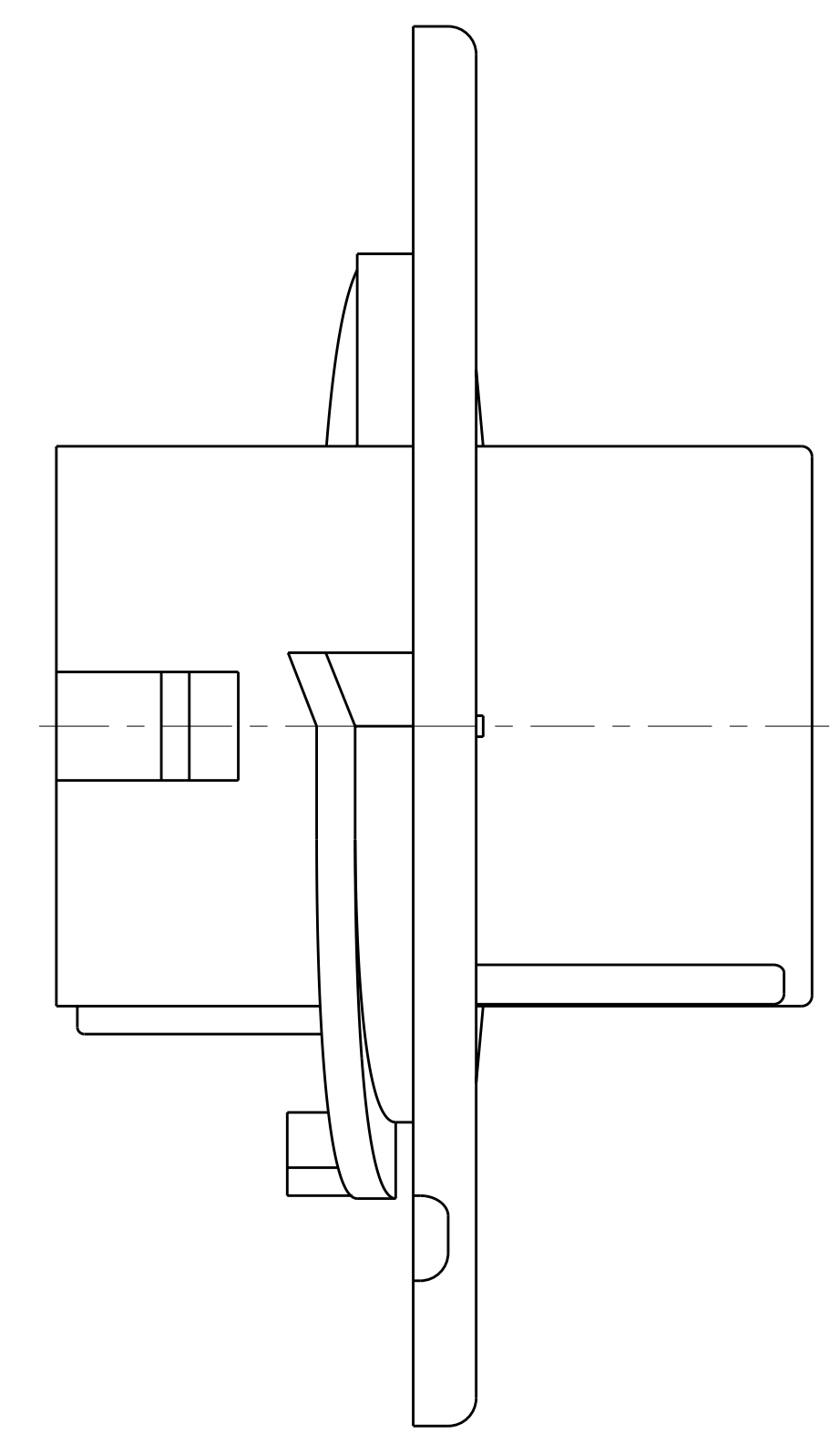
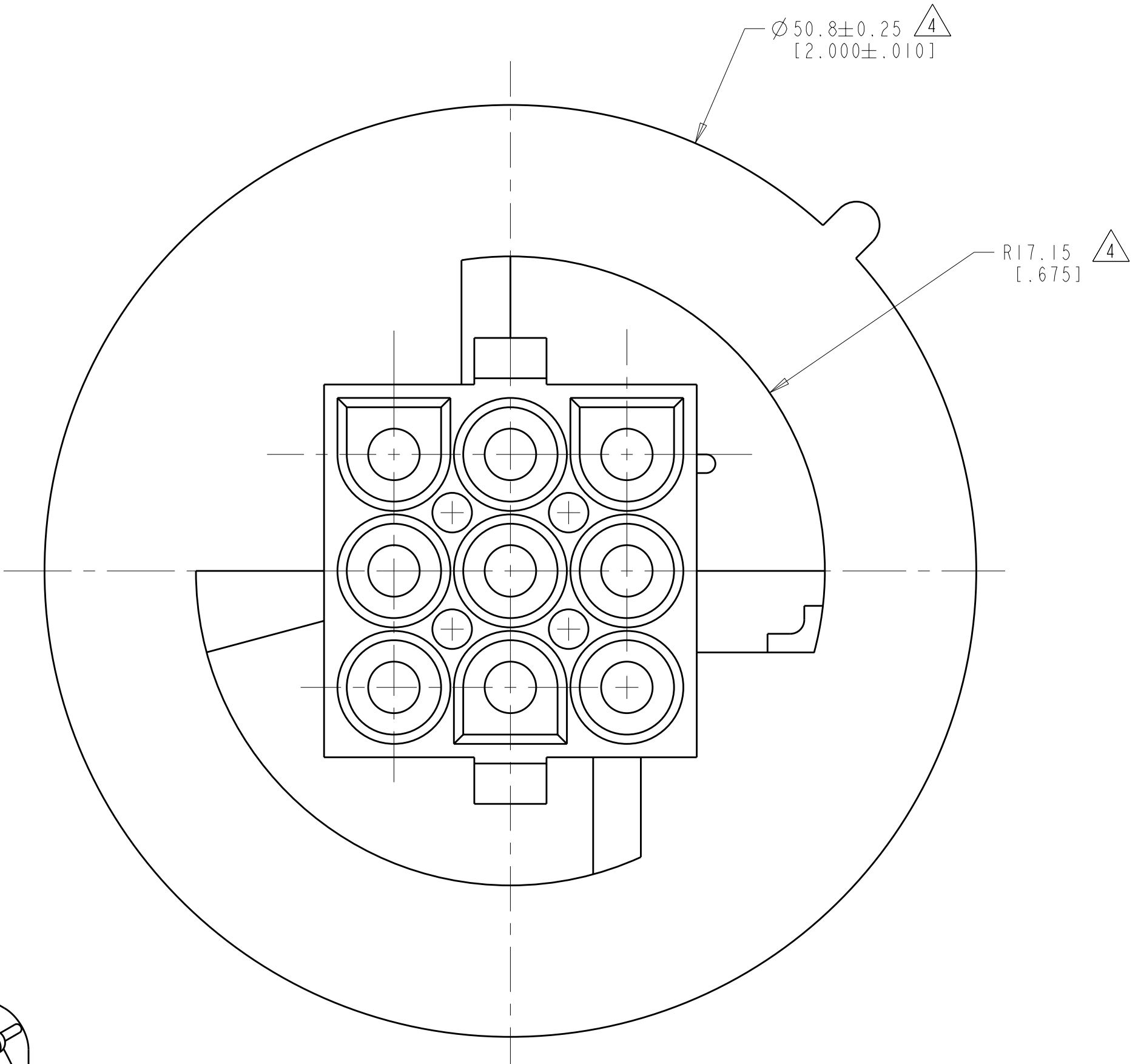


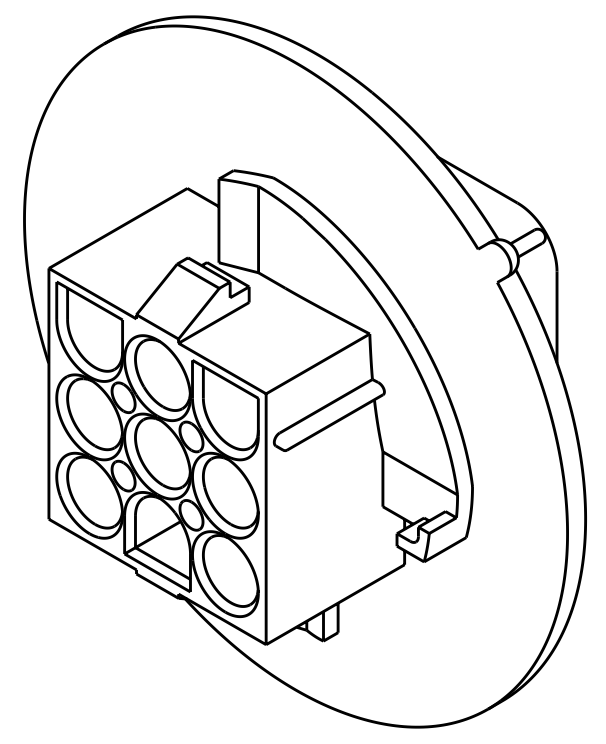
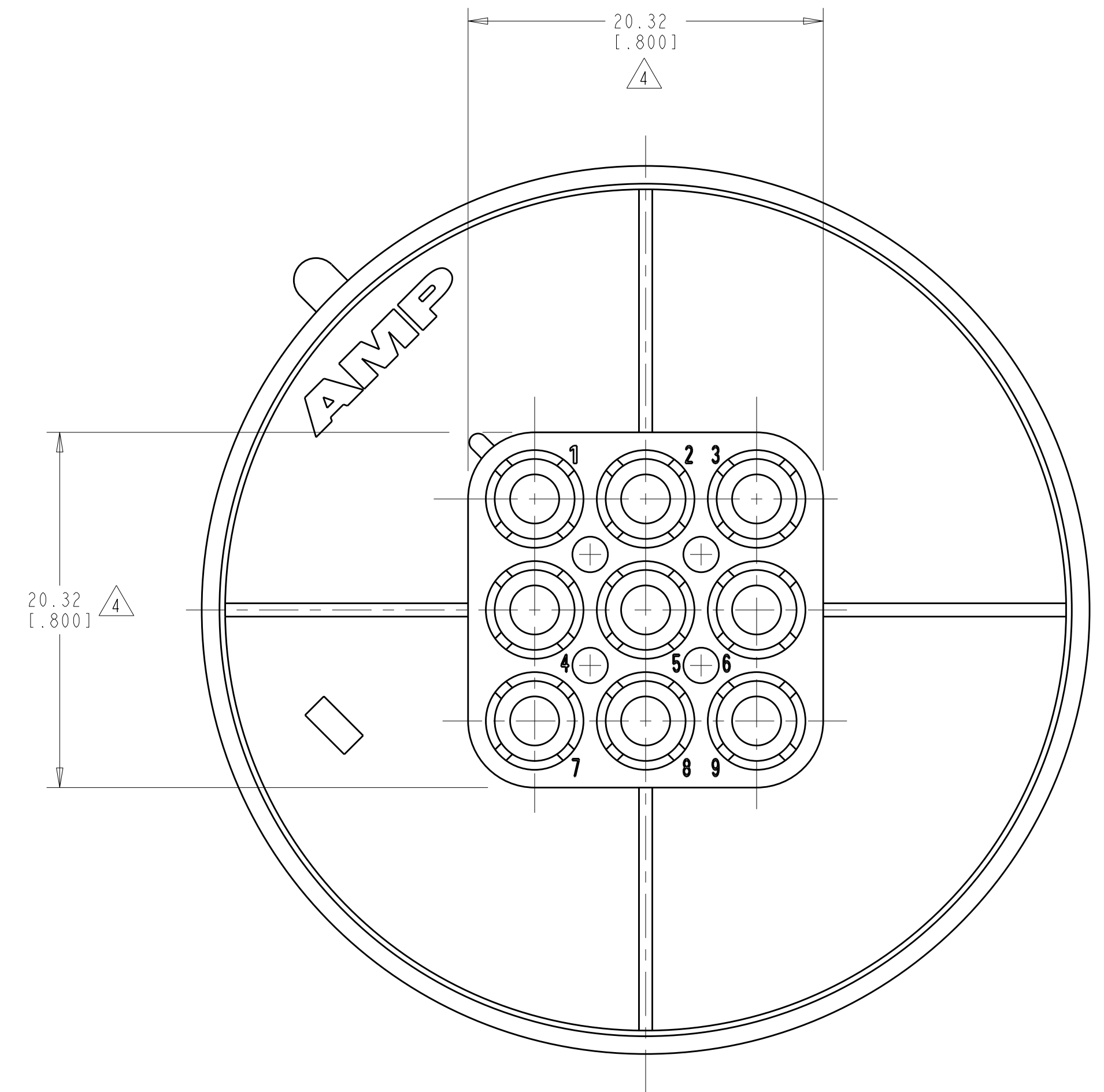
LOC	DIST	REV	DATE	BY	CHK	APPV	DESCRIPTION
CM	00	L	03MAR2011	HMR	TM		REVISED PER ECR-10-022954



RECOMMENDED CUT OUT



- MATES WITH APPROPRIATE UNIVERSAL MATE-N-LOK™ PLUG.
 - RECOMMENDED PANEL THICKNESS 0.76 - 2.29 [0.030 - .090].
 - PANEL MUST BE PUNCHED SO THAT THE HOUSING ENTERS THE PANEL IN THE SAME DIRECTION AS THE PUNCH.
- ⚠ DIMENSIONS INDICATED ARE REFERENCE. ADDITIONAL GROWTH DUE TO SUBSEQUENT MOISTURE ABSORPTION MAY OCCUR.



3-DIMENSIONAL MODEL
SCALE 2:1

COLOR	PART NUMBER
BLACK	1-794715-9
GRAY	1-794715-8
BLUE	1-794715-6
GREEN	1-794715-5
YELLOW	1-794715-4
ORANGE	1-794715-3
RED	1-794715-2
BROWN	1-794715-1
NATURAL	794715-1

DIMENSIONS: mm [INCHES] TOLERANCES UNLESS OTHERWISE SPECIFIED: 9 PLC ± 1 PLC ±0.13 (.005) 5 PLC ± 4 PLC ± ANGLES ±40° 30'		DWN R. WHITAKER 06-OCT-1999 CHK M. TRULL 06-OCT-1999 APPV M. TRULL 06-OCT-1999 PRODUCT SPEC APPLICATION SPEC WEIGHT CUSTOMER DRAWING		AMP Incorporated Harrisburg, PA 17105-3608 CAP. 9 CIRCUIT, UNIVERSAL MATE-N-LOK(TM), SPECIAL SIZE CAGE CODE DRAWING NO. RESTRICTED TO A 00779 C-794715 SCALE 4:1 SHEET 1 OF 1 REV L	
---	--	--	--	--	--

