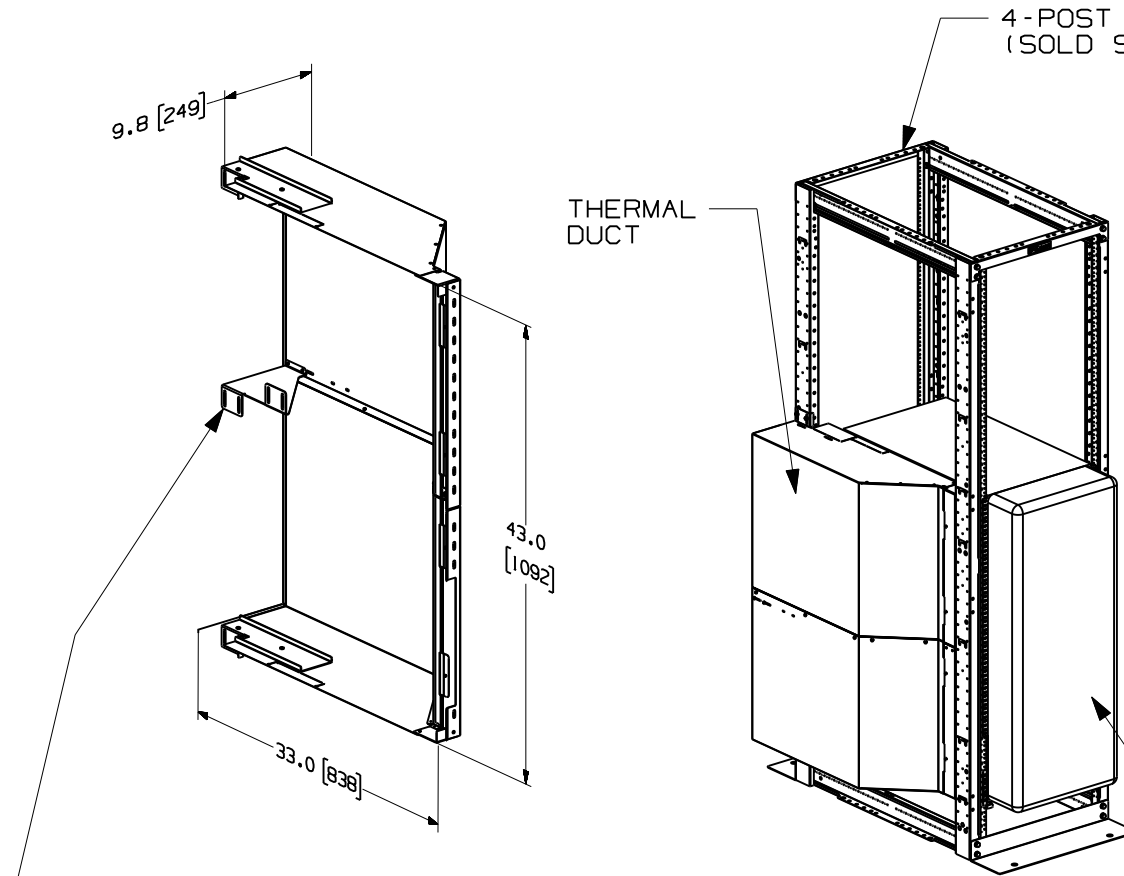


THIS COPY IS PROVIDED ON A RESTRICTED BASIS AND IS NOT TO BE USED IN ANY WAY DETRIMENTAL TO THE INTERESTS OF PANDUIT CORP.

PANDUIT P/N	WEIGHT
R4PAE2	30.7 LBS/ EA. (14.0 kg/ EA.)



NOTES:

- VISIT OUR ON-LINE CATALOG AT [WWW.PANDUIT.COM](http://WWW.PANDUIT.COM) FOR A CURRENT LIST OF PRODUCTS APPLICABLE FOR USE WITH THIS PART.
- COMPONENTS:
  - (1) TOP DUCT SECTION
  - (1) BOTTOM DUCT SECTION
  - (1) TOP FRONT MOUNTING BRACKET
  - (1) BOTTOM FRONT MOUNTING BRACKET
  - (2) REAR MOUNTING BRACKETS
  - (1) REAR CENTER MOUNTING BRACKET
  - (12) #8-32 X 1/4" SCREWS
  - (2) PACKS OF (4) #12-24 SCREWS
  - (2) #10-32 X 1/2" SCREWS
  - (2) #10-32 NUTS WITH STAR WASHERS
- DIMENSIONS IN PARENTHESIS ARE METRIC.
- MOUNTING BRACKETS ARE ADJUSTABLE SO THAT THE DUCT MAY FIT 30", 36", OR 42" DEEP 4 POST RACK.

SLOTS IN DUCT AND REVERSIBLE CENTER BRACKET ALLOW DUCT TO BE USE ON 30", 36" AND 42" 4 POST RACKS

MODEL FILENAME	V10679JF/01
CAD FILENAME/LAYERS	V10679JF_DC/01A
<h1>PANDUIT</h1> CORP. TINLEY PARK, ILLINOIS	
EXHAUST DUCT FOR A 4 POST RACK AND 7018 SWITCH (R4PAE2) CUSTOMER DRAWING	

UNLESS OTHERWISE SPECIFIED,  
 DIMENSIONAL TOLERANCES ARE:  
 (.X) ±                      (.XXX) ±  
 (.XX) ±                     ANGLES ±

UNLESS OTHERWISE SPECIFIED,  
 ALL DIMENSIONS ARE GIVEN  
 IN INCHES, THIRD ANGLE PROJECTION.

DRAWN BY BAME	MAT'L:  STEEL	SCALE NONE
DATE 5-31-11		DRAWING NO. V10679JF-DC
CHK'D		DWG A SIZE

REV	DATE	BY	CHK	DESCRIPTION	ECN	R	CUST	SUP	OTH
O1A	5-31-11	BAME		DRAWING RELEASED	V10679JF-DC				