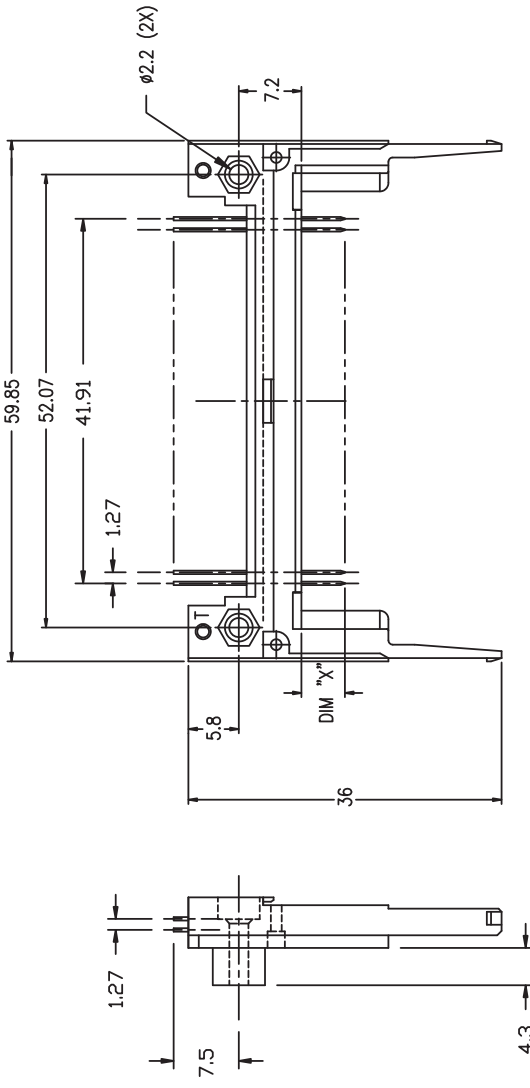
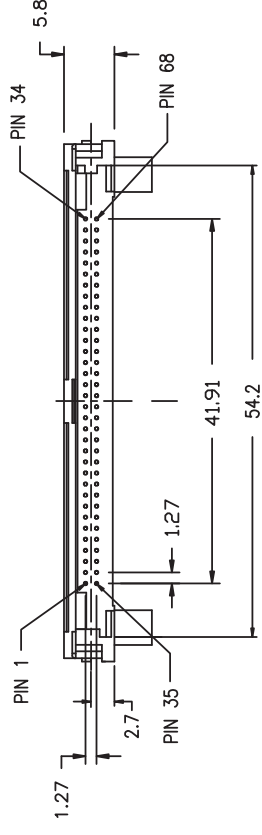


PRODUCT NO.	DIM "X"		
	4.25±0.1	3.5±0.1	5.0±0.1
73590-001	OTHERS	36,67	1,17,34,35,51,68
73590-001LF	OTHERS	36,67	1,17,34,35,51,68



NOTES

- ① MATERIAL HOUSING : LCP UL94V-0 BLACK. PIN : PHOSPHOR BRONZE.
- ② FINISH - PIN UNDER PLATING : 0.5um Ni. CONTACT AREA : 0.1um GOLD OVER 0.5um Pd-Ni. SOLDER TAIL : 2.5um Sn-Pb.
- 3 RECOMMENDED SCREW TORQUE 1.0 TO 1.5 MAX in-lbs. (1.2-1.7 cm-kgs). RECOMMENDED HOLD-DOWN: 2mm SCREWS (95121) AND HEX NUTS (92869-001).
- 4 IF LEAD FREE P/N THE HOUSING WILL WITHSTAND EXPOSURE TO 260°C PEAK TEMPERATURE FOR 10 SECONDS IN A WAVE SOLDER APPLICATION WITH A 1.0MM MINIMUM THICK CIRCUIT BOARD.
- 5 IF LEAD FREE P/N THE PRODUCT MEETS EUROPEAN UNION DIRECTIVES AND OTHER COUNTRY REGULATIONS AS DESCRIBED IN GS-22-008
- 6 LEAD FREE P/N PACKAGING MEETS GS-14-920 SPECIFICATION



mat'l. code			tolerances unless otherwise specified			CUSTOMER COPY	
ltr	ecn no	dr	date			projection	title
A	V70945	RHG	7/22/97	linear	.X ±.3		68 POS. EJECT
B	I05-0196	WB	07/05/05	angles	.XX ±.13		HEADER ASSY
				dr	.XXX ±.051		product family
				engr	0° ±2°		PCMCIA
				chr	R.GRAPE 7/22/97		size dwg no
				appd	D BRANN 7/22/97		code
					D BRANN 7/22/97		73590
sheet	revision	B		scale		1:1	A4
index	sheet	1					



www.fciconnect.com

Tous droits strictement reserves. Reproduction ou communication a des tiers interdite. Property of ©BERG ELECTRONICS. Copyright Berg Electronics Inc. whatever is not permitted without written authority from the proprietor. Reproduction or issue to third parties in any form is not permitted without written authority from the proprietor. Property of ©BERG ELECTRONICS. Copyright Berg Electronics Inc.