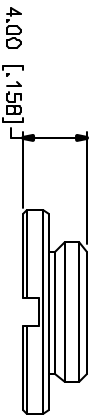
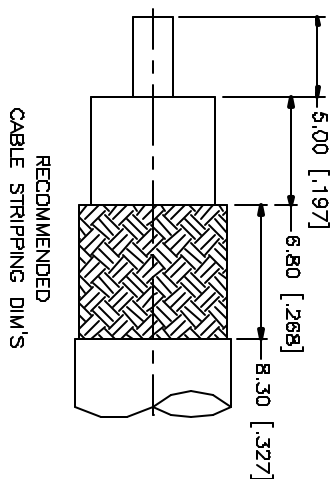
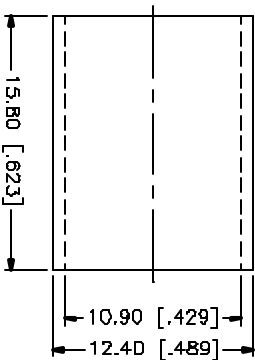
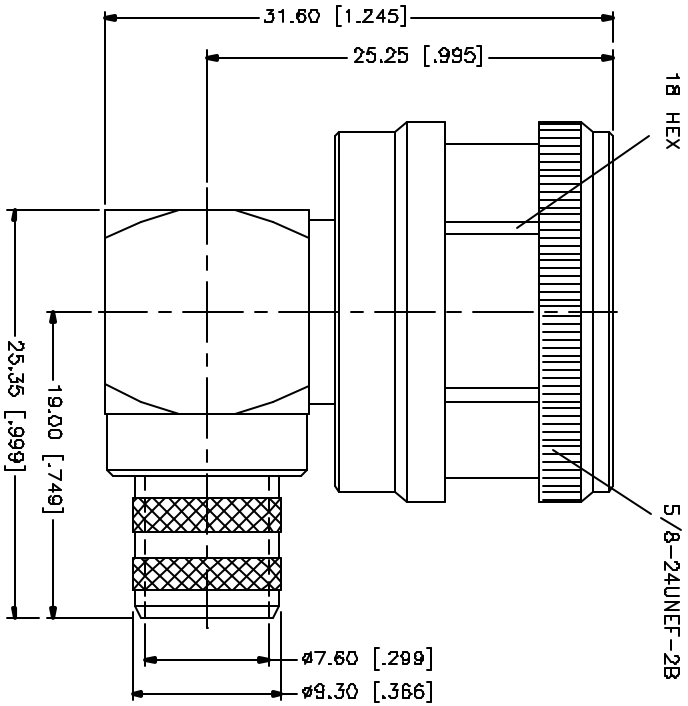


REV.	DATE
NC	07/25/04

DESCRIPTION
INITIAL RELEASE



NOTES:

1. CRIMPED FERRULE
HEX CRIMP SIZE .429"
2. CONTACT PIN TO SOLDER

DESCRIPTION	MATERIAL	FINISH	QTY	UNLESS OTHERWISE SPECIFIED DIMENSIONS ARE IN MILLIMETERS (INCHES IN PARENS) AND FOR EXTERNAL REFERENCE ONLY. UNLESS OTHERWISE SPECIFIED DIMENSIONS ARE IN MILLIMETERS (INCHES IN PARENS) AND FOR EXTERNAL REFERENCE ONLY. UNLESS OTHERWISE SPECIFIED DIMENSIONS ARE IN MILLIMETERS (INCHES IN PARENS) AND FOR EXTERNAL REFERENCE ONLY.
1	COOPER	NEXCOTE	1	0.5 - .8mm ± 0.20mm
2	BRASS	NEXCOTE	1	B - .50mm ± 0.20mm
3	BRASS	NEXCOTE	1	3D - 1.20mm ± 0.50mm
4	BRASS	GOLD	1	UNLESS OTHERWISE SPECIFIED DIMENSIONS ARE IN MILLIMETERS (INCHES IN PARENS) AND FOR EXTERNAL REFERENCE ONLY.
5	TEFLON	NATURAL	1	.020 - .315 ± ± 0.007"
6	BRASS	NEXCOTE	1	.315 - 1.180 ± ± 0.015"
7	BRASS	NEXCOTE	1	1.180 - 4.724 ± ± 0.020"

APPROVALS	DATE
DRAWN G.R.S.	07/25/04
CHECKED	
RESED	
SHEET 1 OF 1	

Amphenol Connex

PART DESCRIPTION
**N R/A CRIMP PLUG
(FOR LMR 400 CABLE)**

PART NO. **172176-10**

QAD FILE C:/172/172176-10.DWG DWG. NO. 172176-10.DWG REV. NC SIZE A SCALE NA