

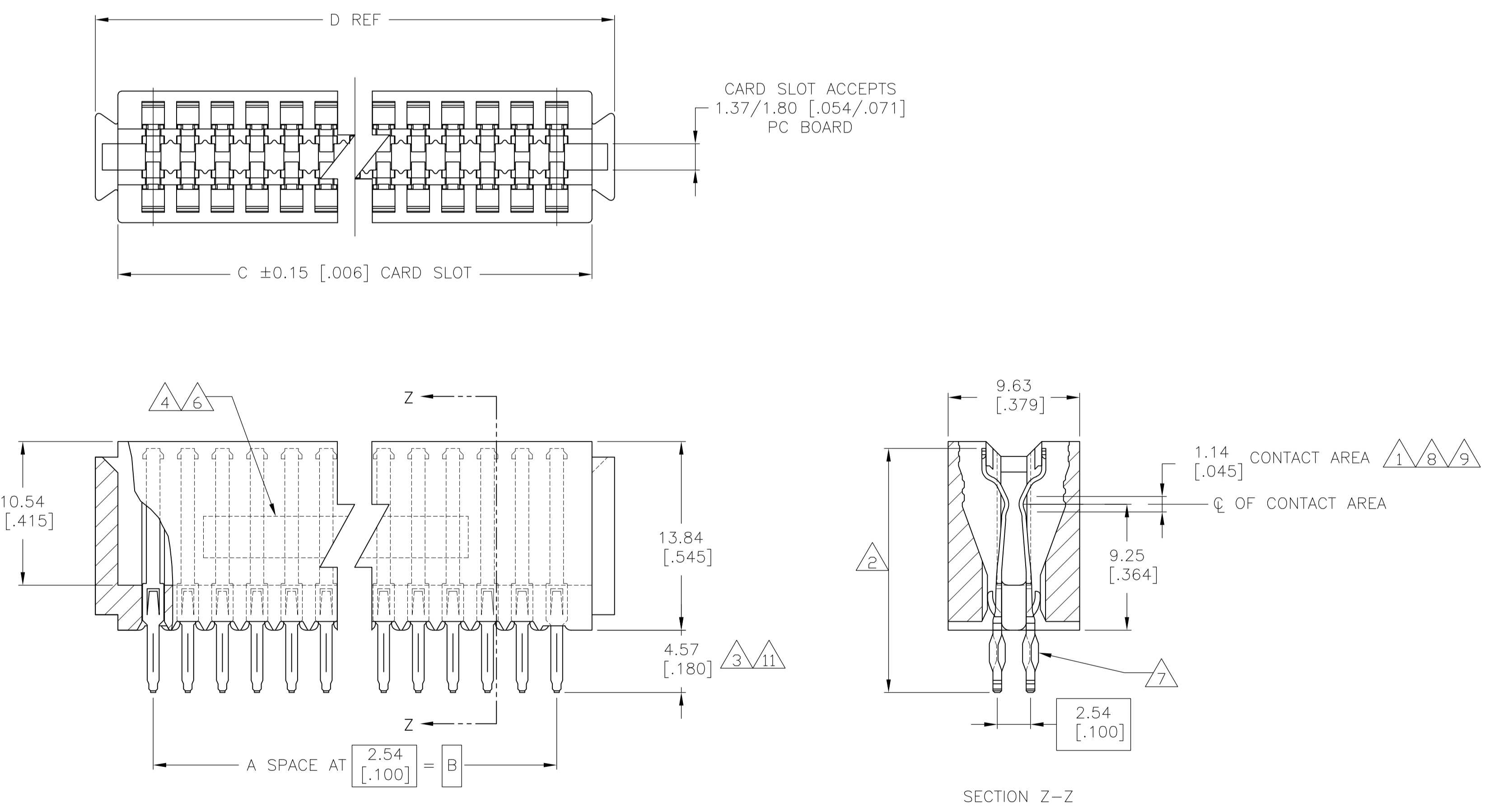
LOC	DIST	REV	DATE	BY	CHK
AD	00	V	17NOV05	BSV	MM
		V1	01SEP09	KK	AEG

- 1 GOLD PLATE .00076[.000030] MIN THICK
- 2 NICKEL PL .00127[.000050] MIN THK PER QQ-N-290
- 3 SOLDER PL .00076[.000030] MIN THK.
- 4 STAMPED P/N & DATE CODE
- 5. OPTIONAL: CARD GUIDE (BASE NO 117169)
- 6 ALL PARTS ASSEMBLED IN MEXICO MUST BE STAMPED "ASSY IN MEXICO".THE WORD "MEXICO" CAN BE SUBSTITUTED ONLY WHERE PART SIZE PROHIBITS STAMPING "ASSY IN MEXICO", INK PER 115-9009, APPROX WHERE SHOWN, SIDE OPTIONAL
- 7 ACTION PIN REQUIRES 2.13[.084] MIN THK PC BOARD

REQ'D DRILL SIZE	HOLE DIA ±.03[.001]	PLATING THICKNESS		HOLE DIAMETER		COPPER HARDNESS (KNOOP)	PAD DIA MIN
		COPPER	TIN/LEAD	AFTER PLATING	AFTER REFLOW		
1.15mm	1.15 [.0453]	0.03-0.08 [.001-.003]	0.008 MIN [.0003] MIN	0.94-1.09 [.037-.043]	0.914-1.09 [.0036-.043]	150 MAX	1.57 [.062]
1.15mm	1.15 [.0453]	NOT PLATED THRU					1.65 [.065]

- 8 .00076[.000030] MIN THICK GOLD PLATE
- 9 .00076[.000030] MIN GOLD OVER .00127[.000050] MIN NICKEL PER QQ-N-290
- 10 PRELIMINARY - NOT RELEASED FOR PRODUCTION
- 11 SOLDER PL .00076[.000030] MIN MATTE TIN PLATE
- 12 OBSOLETE PARTS: OBSOLETE CIS STREAMLINING PER D.RENAUD/D.SINISI

	158.34 [6.234]	155.04 [6.104]	149.86 [5.900]	-59	11	60	9-119734-6
	132.94 [5.234]	129.64 [5.104]	124.46 [4.900]	-49	11	50	8-119734-6
	107.54 [4.234]	104.24 [4.104]	99.06 [3.900]	-39	11	40	7-119734-6
	94.84 [3.734]	91.54 [3.604]	86.36 [3.400]	-34	11	35	7-119734-1
	77.06 [3.034]	73.76 [2.904]	68.58 [2.700]	-27	11	28	6-119734-4
	69.44 [2.734]	66.14 [2.604]	60.96 [2.400]	24	11	25	6-119734-1
	56.74 [2.234]	53.44 [2.104]	48.26 [1.900]	-19	11	20	5-119734-6
	107.54 [4.234]	104.24 [4.104]	99.06 [3.900]	-39	11	40	4-119734-8
	107.54 [4.234]	104.24 [4.104]	99.06 [3.900]	-39	11	40	4-119734-7
	158.34 [6.234]	155.04 [6.104]	149.86 [5.900]	-59	11	60	4-119734-6
							4-119734-5
							4-119734-4
							4-119734-3
							4-119734-2
							4-119734-1
							4-119734-0
							3-119734-9
							3-119734-8
							3-119734-7
							3-119734-6
							3-119734-5
							3-119734-4
							3-119734-3
							3-119734-2
							3-119734-0
							3-119734-0
							2-119734-9
							2-119734-8
							2-119734-7
							2-119734-6
							2-119734-5
							2-119734-4
							2-119734-3
							2-119734-2
							2-119734-1
							2-119734-0
							1-119734-9
							1-119734-8
							1-119734-7
							1-119734-6
							1-119734-5
							1-119734-4
							1-119734-3
							1-119734-2
							1-119734-1
							1-119734-0
							119734-9
							119734-8
							119734-7
							119734-6
							119734-5
							119734-4
							119734-3
							119734-2
							119734-1
							119734-0
							119734-9
							119734-8
							119734-7
							119734-6
							119734-5
							119734-4
							119734-3
							119734-2
							119734-1
							119734-0



MATERIAL: HOUSING: VALOX 420 SEO, BLACK CONTACT; PHOSPHOR BRONZE

THIS DRAWING IS A CONTROLLED DOCUMENT. DIMENSIONS: mm [INCHES]. TOLERANCES UNLESS OTHERWISE SPECIFIED: 0 PLC ± .010, 1 PLC ± .010, 2 PLC ± .010, 3 PLC ± .010, 4 PLC ± .010. ANGLES ± .010. MATERIAL: - FINISH: SEE TABLE.

DWN: B. BAKERMANS, CHK: H. ROSE, APP'D: H. ROSE. Tyco Electronics Corporation, Harrisburg, Pa 17105-3608. CONNECTOR, AMP PACE, .100 X .100. SIZE: 114-26002. WEIGHT: - A1 00779 C=119734. CUSTOMER DRAWING. SCALE: 4:1. SHEET 1 OF 1. REV: V1.