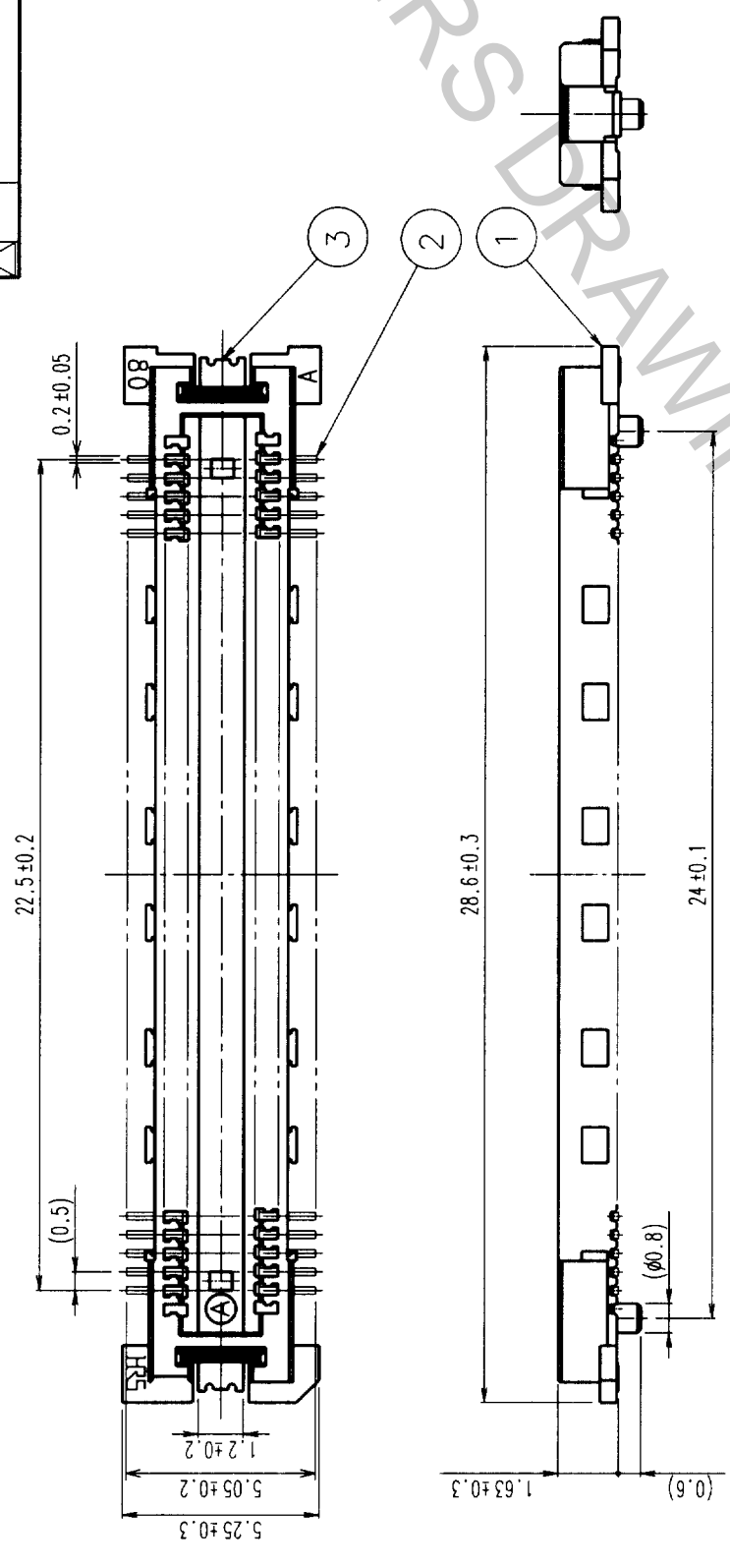
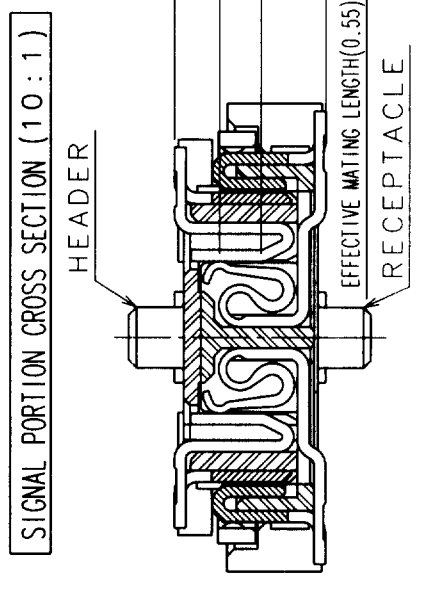
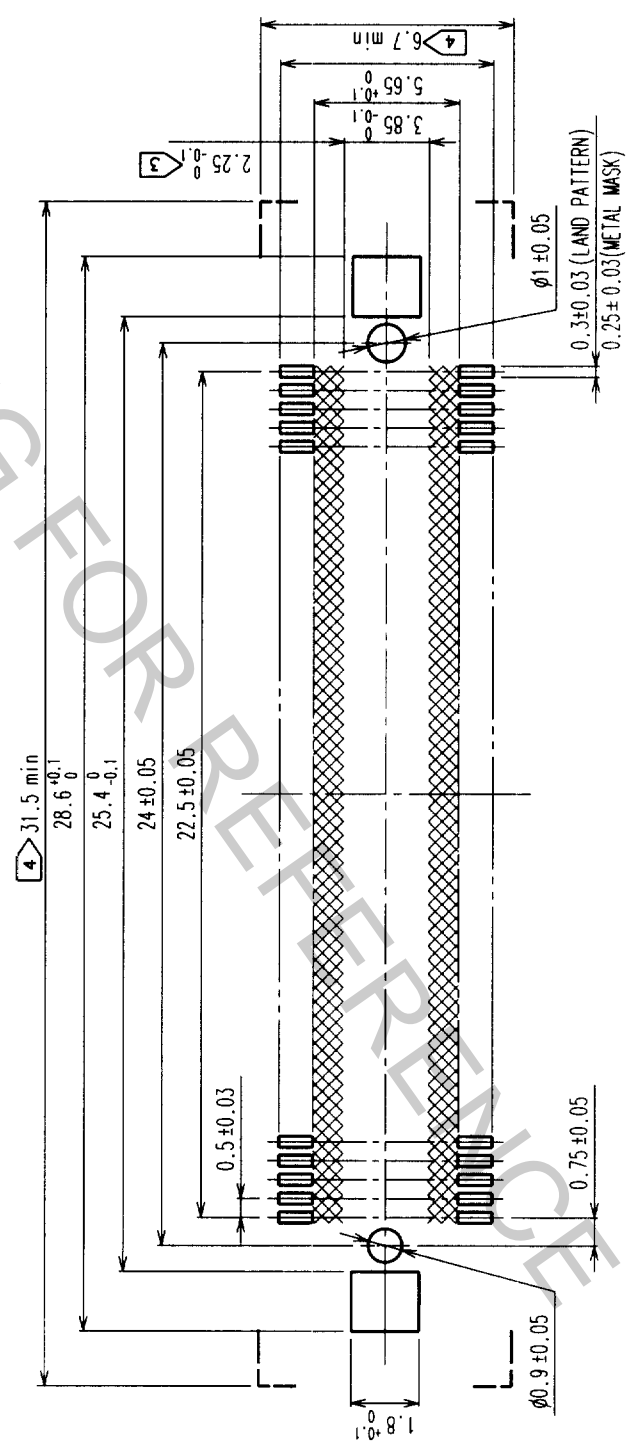


COUNT	DESCRIPTION OF REVISIONS	BY	CHKD	DATE	COUNT	DESCRIPTION OF REVISIONS	BY	CHKD	DATE
△					△				
△					△				
△					△				



RECOMMENDED LAND PATTERN DIMENSION OF PCB

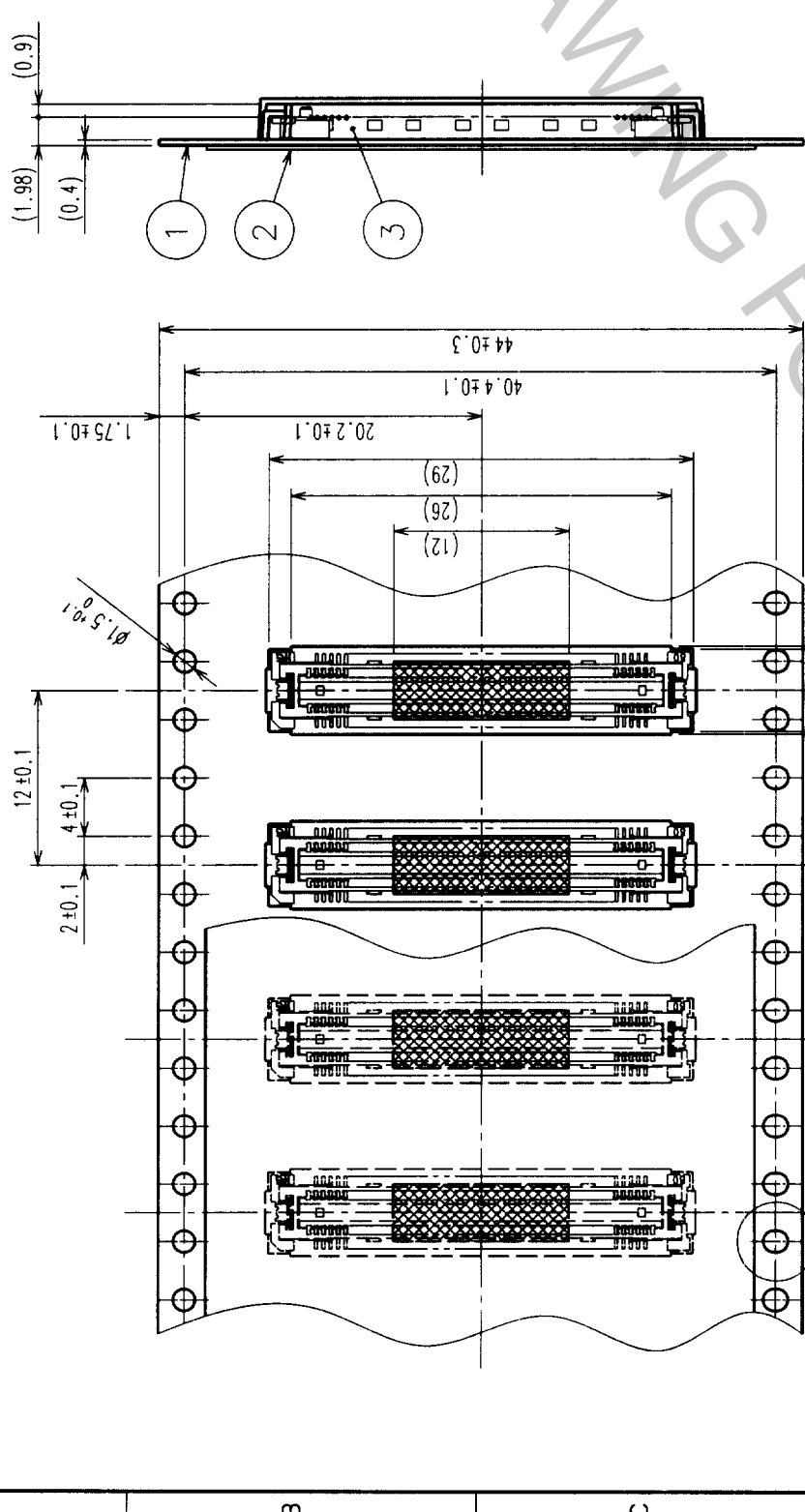


2	COPPER ALLOY	CONTACT AREA: GOLD (0.1μm) OVER NICKEL LEAD: GOLD FLASH OVER NICKEL
1	LCP	BEIGE UL94V-0
NO.	MATERIAL	FINISH, REMARKS
3	PHOSPHOR BRONZE	TIN PLATED
NO.	MATERIAL	FINISH, REMARKS
DESIGNED	CHECKED	APPROVED
RELEASED		
DRAWN		CL
PART NO.		FX11LA-92P-SV (22)
DRAWING NO.		EDC3-152101-02
SCALE		5 : 1
UNITS		mm
CODE NO.		CL573-0043-4-22
FORM NO.		8 FORM NO. 229

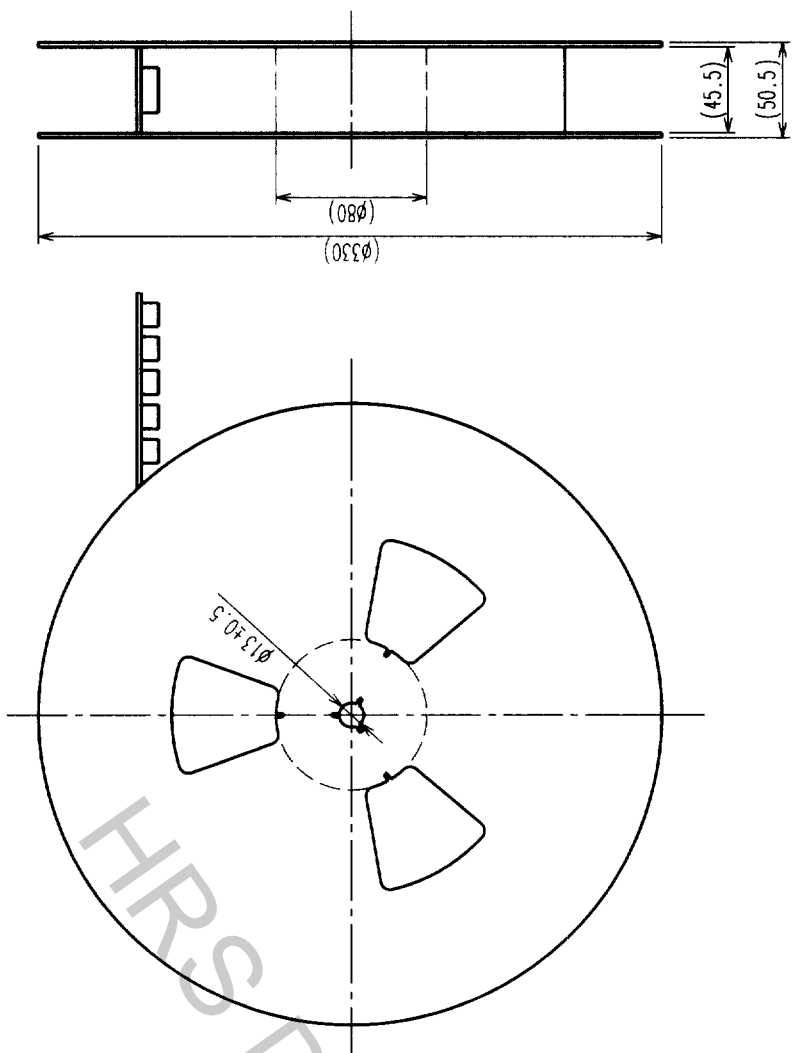
- NOTES
- SMT LEAD-COPLANARITY: 0.1 MAX.
  - THIS PRODUCT HAS NO POLARITY TO PATTERN FOR MOUNTING. MAKE SURE WIDTH OF PATTERN IS WITHIN THAT OF LAND, OR LEAD MAY TOUCH PATTERN. (THIS APPLIES TO HATCHED AREA.)
  - DO NOT MOUNT OTHER DEVICES ONTO [ ] AREA, OR MATING PAIR CANNOT BE MATED.
  - TO BE EMBOSSED CARRIER TAPED AS SPECIFIED IN SHEET 2.

TO	
PCK	

COUNT	DESCRIPTION OF REVISIONS	BY	CHKD	DATE	COUNT	DESCRIPTION OF REVISIONS	BY	CHKD	DATE
△					△				
△					△				
△					△				



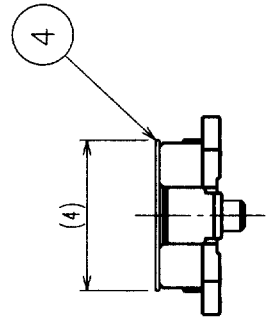
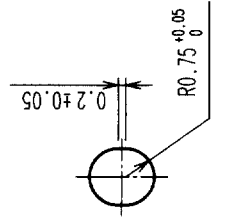
REELED DIMENSION (Free)



- NOTES
- 1 REEL: 1000 CONNECTORS.
  - 2 MINIMUM 10 COMPARTMENTS FROM BOTH REEL ENDS REMAIN EMPTY.
  - 3 THIS PRODUCT HAS NO POLARITY TO TAPE AND REEL PACKAGING.

DETAIL FOR VACUUM PICKUP (5:1)

A (5:1)



2	PET	TOP COVER TAPE	4	POLYIMIDE	(TAPE FOR VACUUM PICKUP)
1	PS	EMBOSSED CARRIER TAPE	3	(CONNECTOR)	
NO.	MATERIAL	FINISH, REMARKS	NO.	MATERIAL	FINISH, REMARKS
DRAWING FOR PACKING					
CODE NO. (OLD)		DRAWN		DESIGNED	CHECKED
CL		M. Saitoh		M. Saitoh	M. Saitoh
		2016.09.28		2016.09.28	2016.10.28
DRAWING NO.		PART NO.		APPROVED	
EDC3-152101-02		FX11LA-92P-SV(22)		Y. Ishiyama	
SCALE		UNITS		RELEASED	
2:1		mm			
HIROSE ELECTRIC CO., LTD		CODE NO.		CL573-0043-4-22	
		2			

TO	
PCK	