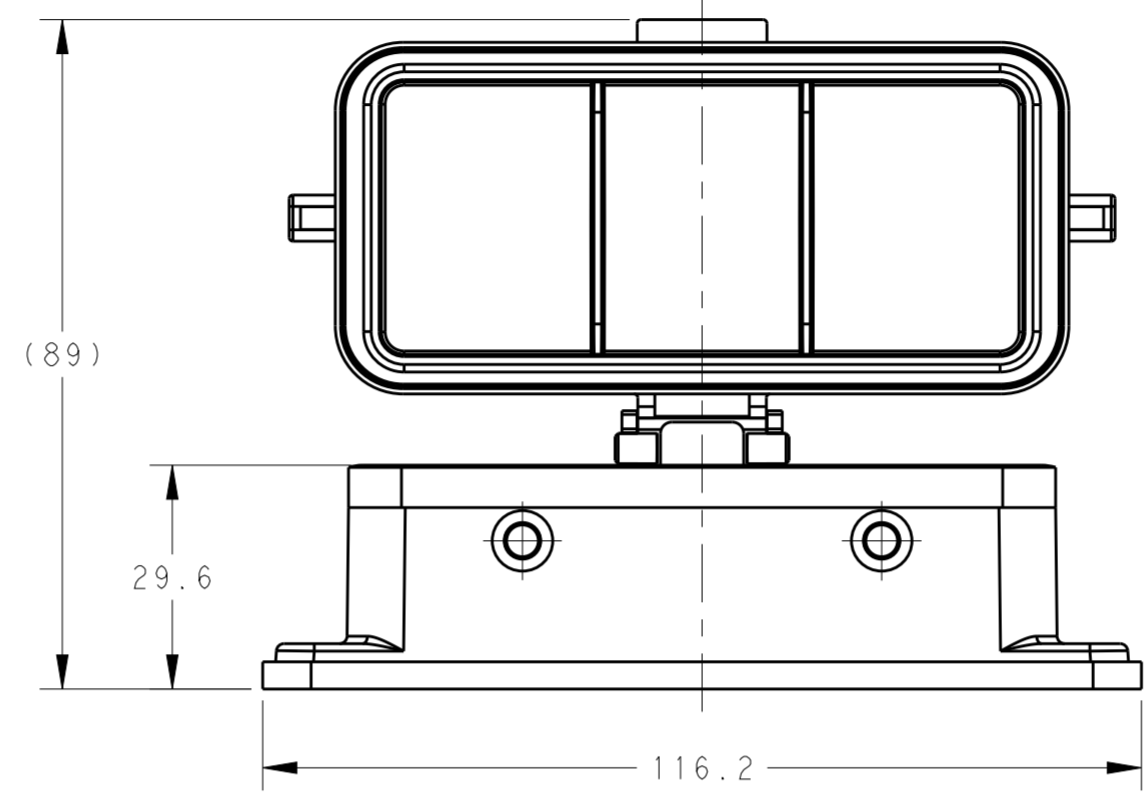
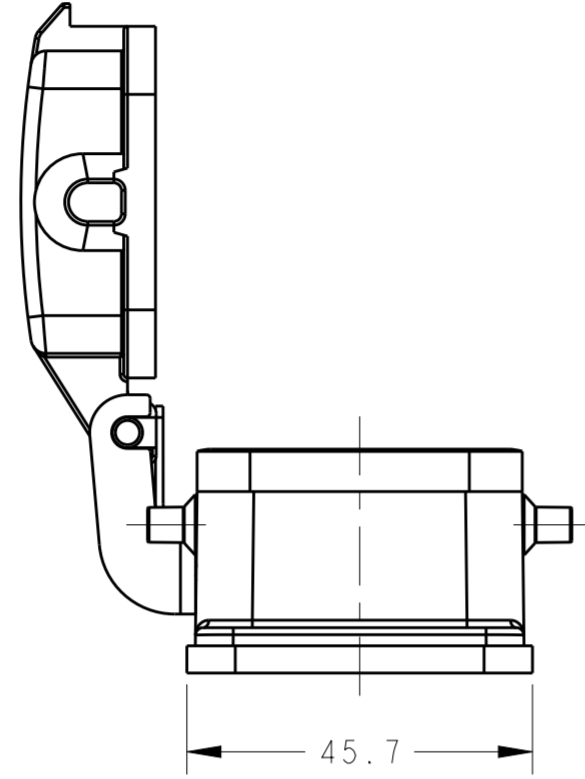
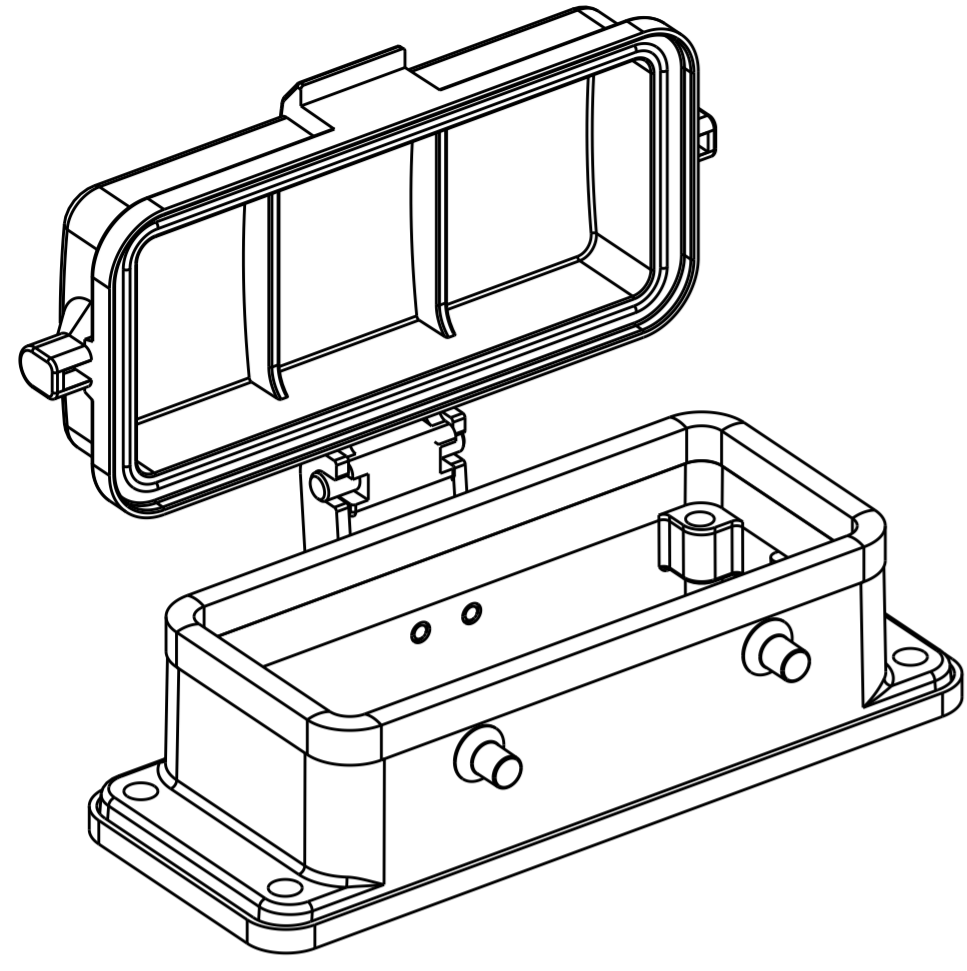


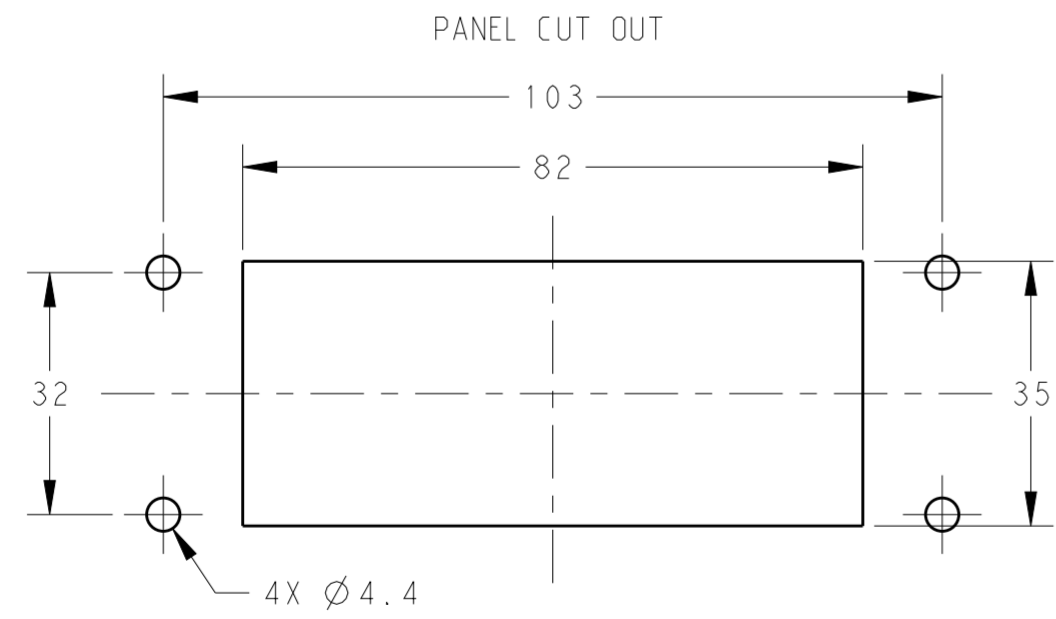
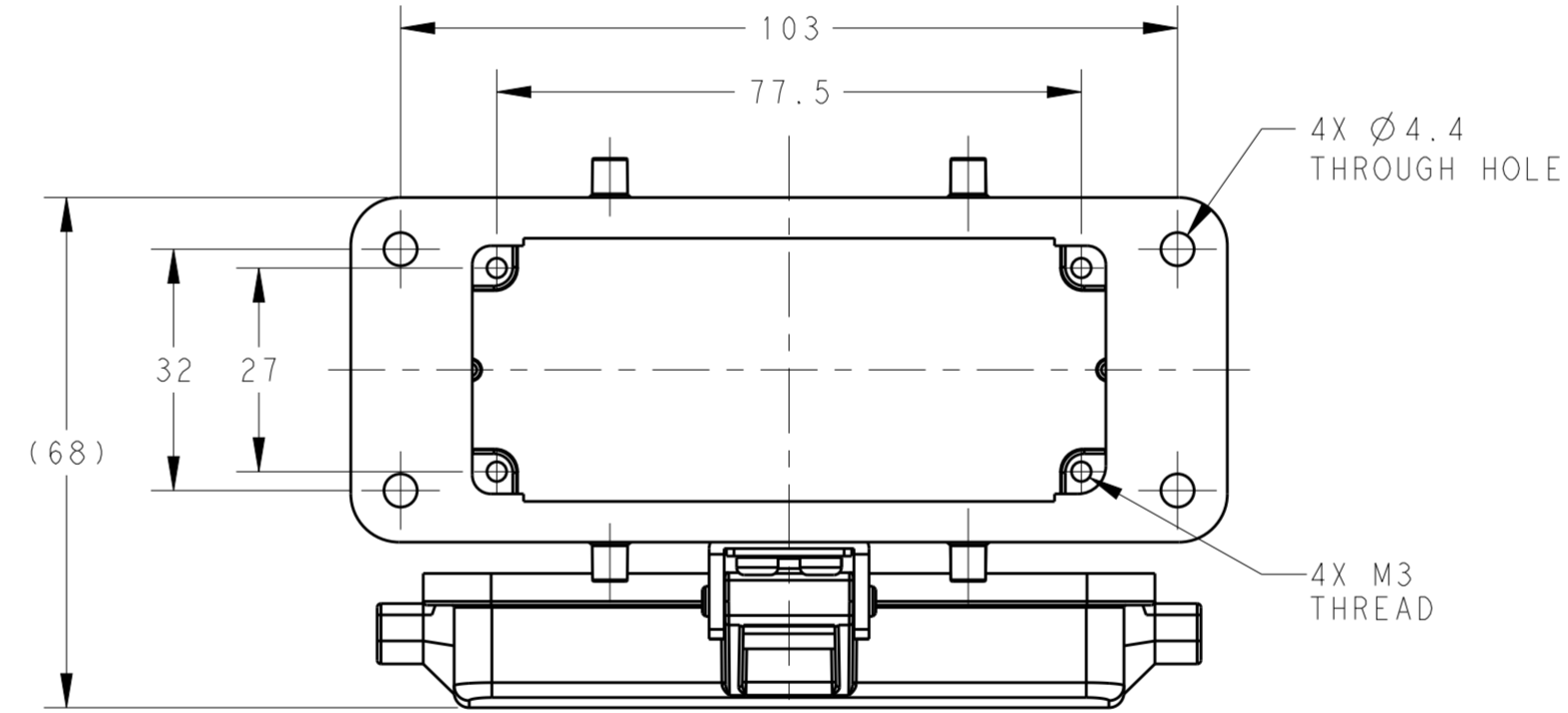
THIS DRAWING IS UNPUBLISHED. RELEASED FOR PUBLICATION 20
 © COPYRIGHT 20 BY - ALL RIGHTS RESERVED.

REVISIONS				
P	LTR	DESCRIPTION	DATE	APVD
	A	INITIAL	17NOV2014	DW CW



NOTES:
 1. TECHNICAL CHARACTERISTICS:
 HOUSING MATERIAL:
 DIE CAST ALUMINIUM ALLOY
 SURFACE:
 POWDER COATED, RAL7037
 SEAL MATERIAL: NBR
 OPERATION TEMPERATURE:
 -40-+125°C
 DEGREE OF PROTECTION:
 IP65 (MATED)

注释:
 1. 技术参数:
 下壳材料: 铝合金
 表面处理: 粉末涂层, RAL7037
 密封材料: NBR
 工作温度: -40-+125°C
 防护等级: IP65(配合)



H16B-AD-BO	T1430160000-000
DESCRIPTION	PART NUMBER

THIS DRAWING IS A CONTROLLED DOCUMENT.		DWN David Wang 17NOV2014	STE TE Connectivity	
		CHK Chris Wang 17NOV2014		
		APVD Xiang Xu 17NOV2014	NAME H16B-AD-BO	
DIMENSIONS: mm		PRODUCT SPEC 108-137013	SIZE CAGE CODE DRAWING NO RESTRICTED TO	
TOLERANCES UNLESS OTHERWISE SPECIFIED:		APPLICATION SPEC 114-137013	A200779 C-T1430160000000	
0 PLC ±		WEIGHT -	SCALE 1:1 SHEET 1 OF 1 REV A	
1 PLC ±		Customer Drawing		
2 PLC ±				
3 PLC ±				
4 PLC ±				
ANGLES ±				
FINISH -				
-				