
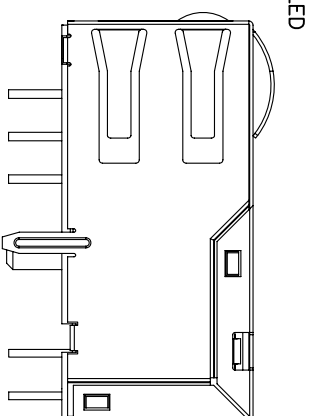
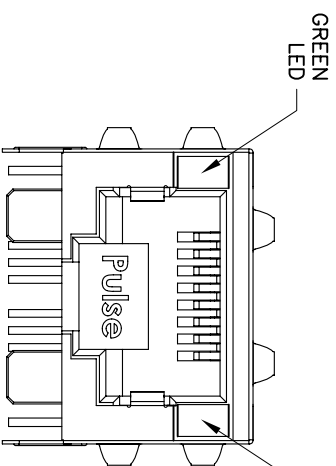
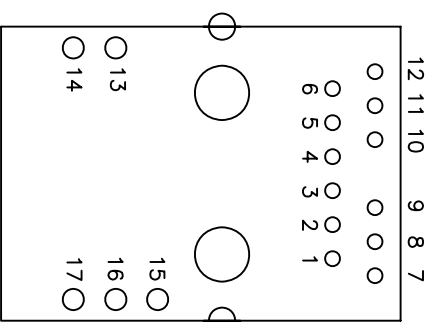
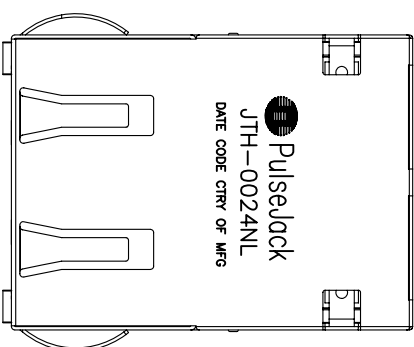


NOTES: UNLESS OTHERWISE SPECIFIED

| | |
|---------|--|
| NOTICE: | THIS IS A ROHS COMPLIANT COMPONENT/PRODUCT. ALL ENGINEERING CHANGES MUST HAVE PRIOR APPROVAL BY THE DESIGN CENTER. |
| RoHS |  |

- 1.
2. PLASTIC HOUSING: THERMOPLASTIC MATERIAL WITH FLAMMABILITY RATING UL 94V-0 OR BETTER.
3. CONTACT BASE MATERIAL: PHOSPHOR BRONZE.
4. CONTACTS UNDERPLATE: 50 MICRONS DUCTILE NICKEL.
5. CONTACTS PLATING: 50 MICRO-INCH GOLD PLATING.
6. SOLDER TAIL PLATING MATERIAL: 200-500 UNINCHES 100% TIN, MATTE FINISH.
7. METAL SHIELD: NICKEL PLATING ON COPPER ALLOY.
8. JACK CAVITY CONFORMS TO FCC RULES AND REGULATIONS PART 68 SUBPART F.
9. PCB PLATING: EG.
10. SOLDERABILITY: CONFORMS TO ANSI/J-STD-002, IPC/EIA J-STD-003A.
11. OPERATING TEMPERATURE: 0°C TO +70°C
12. STORAGE TEMPERATURE: -20°C TO +125°C
13. JEDEC MOISTURE: LEVEL 1.
14. REVISION: MX1, MX2, ARE PRELIMINARY.

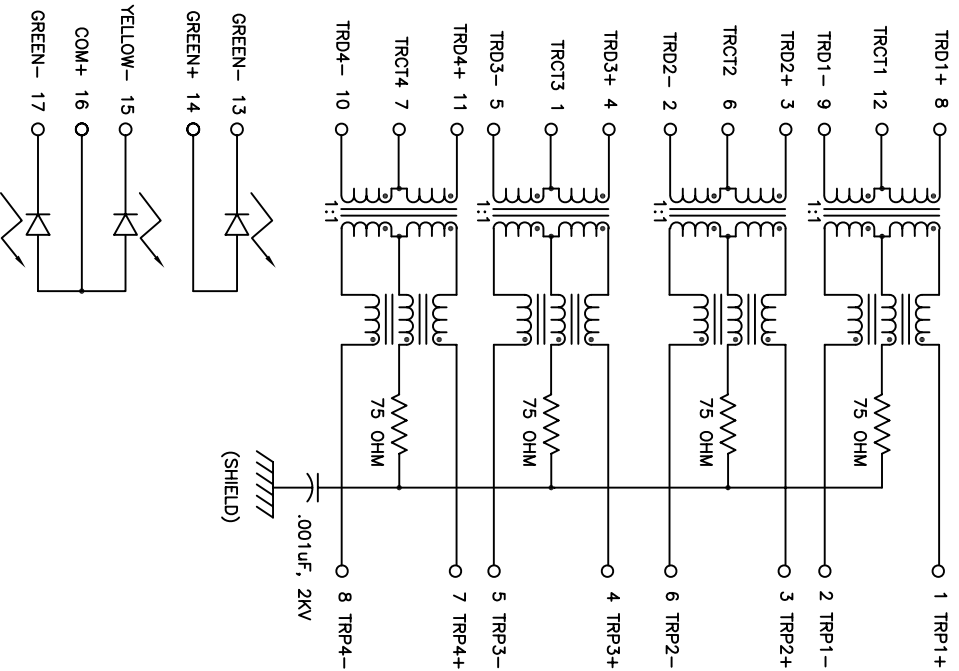


PACKAGE OUTLINE

© Copyright, 2010. Pulse Engineering, Inc. All rights reserved. Drawing specifications subject to change without notice. (11/02/10)

| | | | | | |
|--|----------------------|---------------|----------|---------------------|------|
| PULSE CONFIDENTIAL & PROPRIETARY | PRODUCT DESCRIPTION | PS DRAWING | SHEET: 1 | DWG. NO. / PART NO. | REV. |
| | CONN,RJ45,1X1,10G,G2 | PS-2484.009-B | | JTH-0024NL | M10 |

PCB SIDE



SCHEMATIC

CABLE SIDE

ELECTRICAL CHARACTERISTICS AT +25°C UNLESS OTHERWISE SPECIFIED

| PARAMETER | SPECIFICATIONS | |
|--|------------------------------|---------------------------|
| | 100 KHz | 1-400 MHz |
| INSERTION LOSS | -3.0 DB MAX | -2.0 DB MAX (-1.4 DB TYP) |
| RETURN LOSS (Z OUT = 100 OHM ± 1%) | 1-40 MHz | 40 MHz-500 MHz |
| | -18 DB MIN | -17 + 10*LOG (f/40) |
| INDUCTANCE (OCL) | 120 uH MIN @ 100 KHz, 100 mV | |
| CROSSTALK, ADJACENT CHANNELS | 1-100 MHz | 100-500 MHz |
| | -28 DB MIN | -19 DB MIN |
| COMMON MODE REJECTION RATIO | 1-100 MHz | 100-300 MHz 300-500 MHz |
| | -35 DB MIN | -30 DB MIN -25 DB MIN |
| COMMON TO DIFFERENTIAL MODE REJECTION (CDMR) | 1-250 MHz | 250-500 MHz |
| | -30 DB MIN | -22 DB MIN |
| INPUT - OUTPUT ISOLATION | 2250 VDC MIN @ 60 SECONDS | |

NOTE: f IS FREQUENCY IN MHZ.

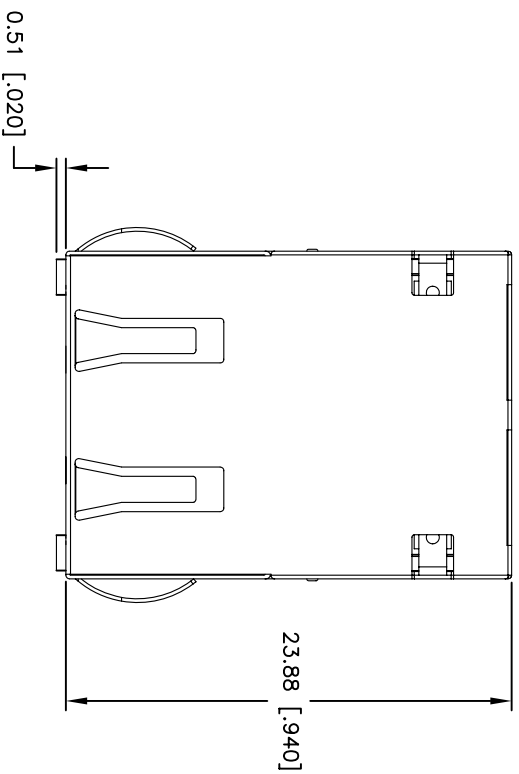
| EMITTED COLOR | GREEN | YELLOW | GREEN |
|-----------------------------|-----------|------------|-----------|
| WAVE LENGTH (nm) | 570 | 588 | 570 |
| POWER DISSIPATION (Pd) | 85 mW MAX | 100 mW MAX | 85 mW MAX |
| DC FORWARD CURRENT | 25 mA MAX | 30 mA MAX | 25 mA MAX |
| FORWARD VOLTAGE (VF) @ 20mA | 2.2 V TYP | 2.1 V TYP | 2.2 V TYP |

NOTE: PER VENDOR'S SPECIFICATION

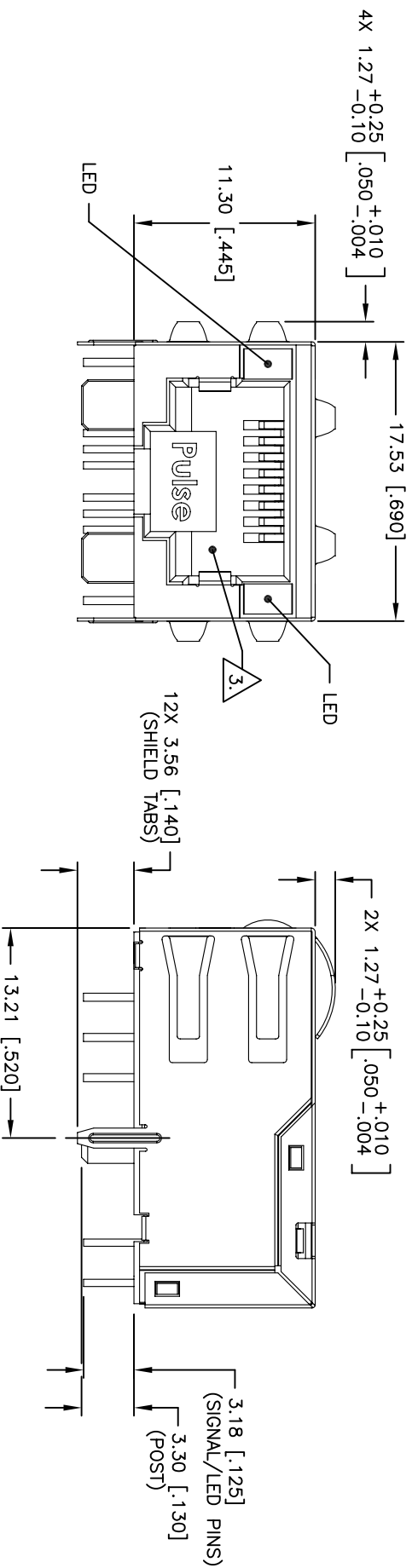
BICOLOR

© Copyright, 2010. Pulse Engineering, Inc. All rights reserved. Drawing specifications subject to change without notice. (11/02/10)

| PULSE CONFIDENTIAL & PROPRIETARY | PRODUCT DESCRIPTION | PS DRAWING | SHEET: | DWG. NO./ PART NO. | REV. |
|--|----------------------|---------------|--------|--------------------|------|
| | CONN,RJ45,1X1,10G,G2 | PS-2484.009-B | 2 | JTH-0024NL | M10 |



ALL DIMENSION ARE SHOWN IN METRIC.
DIMENSIONS SHOWN IN BRACKETS ARE
INCHES. UNLESS OTHERWISE SPECIFIED,
THE FOLLOWING TOLERANCES APPLY:
X.XX [.XXX] = ±0.25 [±.010]

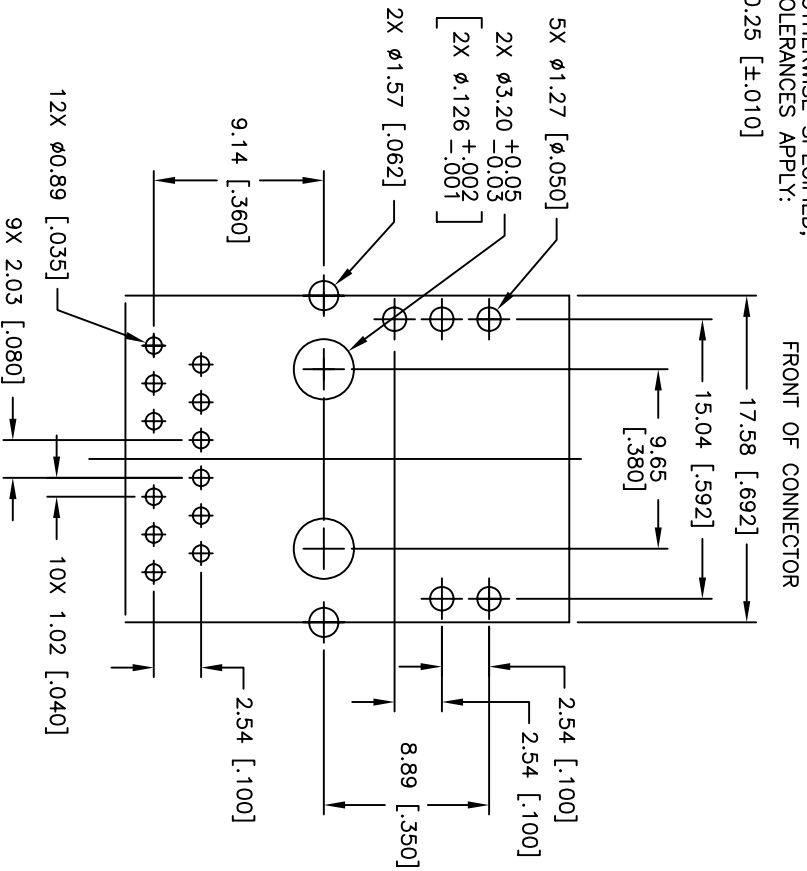


© Copyright, 2010. Pulse Engineering, Inc. All rights reserved. Drawing specifications subject to change without notice. (11/02/10)

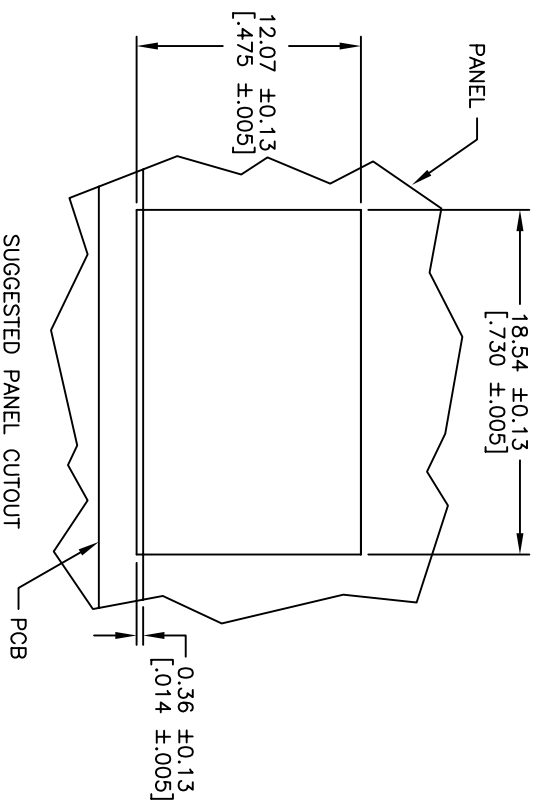
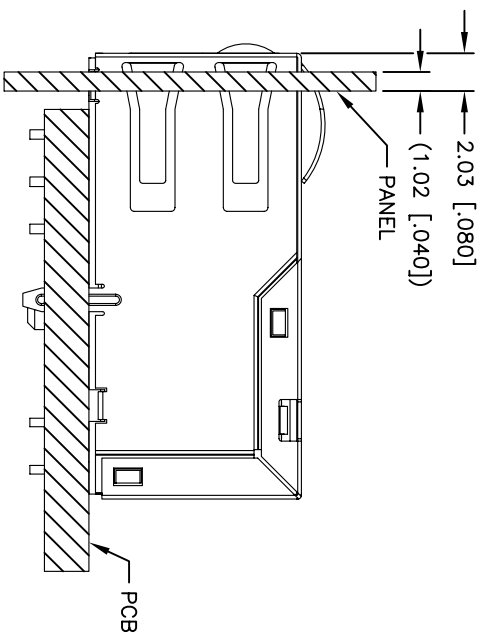
| | | | | | |
|--|----------------------|---------------|--------|---------------------|------|
| PULSE CONFIDENTIAL & PROPRIETARY | PRODUCT DESCRIPTION | PS DRAWING | SHEET: | DWG. NO. / PART NO. | REV. |
| | CONN,RJ45,1X1,10G,G2 | PS-2484.009-B | 3 | JTH-0024NL | M10 |

ALL DIMENSION ARE SHOWN IN METRIC.
DIMENSIONS SHOWN IN BRACKETS ARE
INCHES, UNLESS OTHERWISE SPECIFIED,
THE FOLLOWING TOLERANCES APPLY:

X.XX [.XXX] = ± 0.25 [$\pm .010$]



SUGGESTED FOOTPRINT (COMPONENT SIDE SHOWN)
DIMENSIONAL TOLERANCE: (UNLESS OTHERWISE SPECIFIED)
.XX [.XXX] = ± 0.05 [.002]



© Copyright, 2010. Pulse Engineering, Inc. All rights reserved. Drawing specifications subject to change without notice. (11/02/10)

| PULSE CONFIDENTIAL & PROPRIETARY | PRODUCT DESCRIPTION | PS DRAWING | SHEET: | DWG. NO. / PART NO. | REV. |
|--|----------------------|---------------|--------|---------------------|------|
| | CONN,RJ45,1X1,10G,G2 | PS-2484.009-B | 4 | JTH-0024NL | M10 |