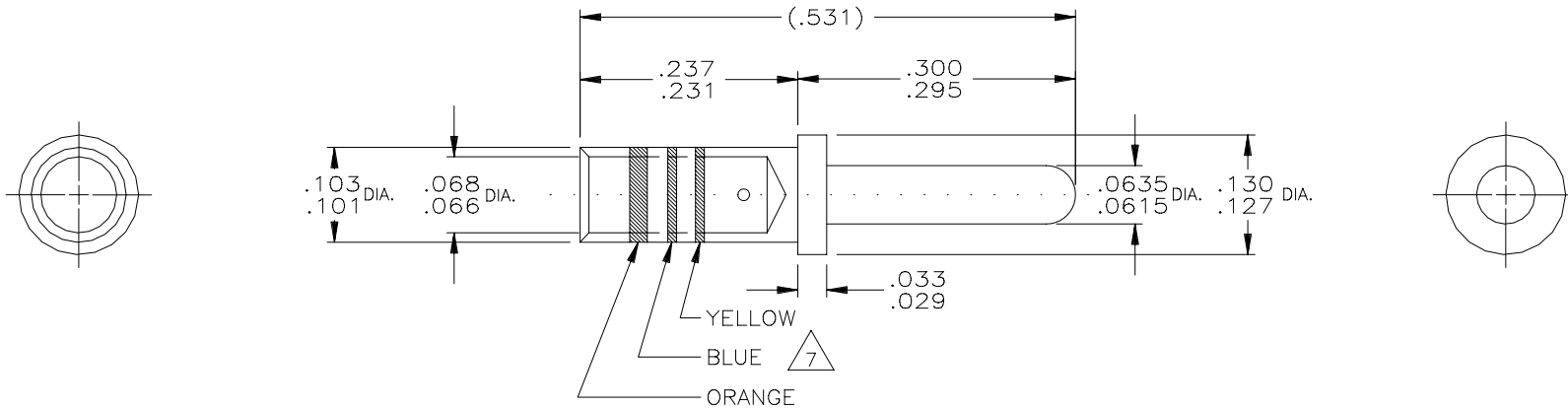


REVISIONS			
LTR	DESCRIPTION	DATE	APPROVED
C	REVISED PER ECN T-012837	8-5-86	J.B.



NOTES:

- THIS CONTACT IS DESIGNED TO MEET ALL REQUIREMENTS OF MIL-C-39029/58, SIZE 16 (BIN CODE NO. 364).
- MINIMUM SEPERATION FORCE USING MS3197-16X1 TEST PIN, 2 OZ. MAXIMUM ENGAGEMENT FORCE USING MS3197-16Y1 TEST PIN, 30 OZ.
- DIMENSIONS SHOWN HEREON ARE FOR REFERENCE ONLY.
- RECOMMENDED WIRE STRIP LENGTH .210 - .250.
- CRIMP TOOL RECOMMENDATION:
 - A - TOOL NO. M22520/1-01
 - B - POSITIONER M22520/1

- WEIGHT: .0007 LBS. (.318 GR) MAX.
- PART IS MARKED WITH COLOR STRIPES AS SHOWN OR WITH THE BIN CODE NO. IN ACCORDANCE WITH MIL-C-39029.

**If this document is printed it becomes uncontrolled.
Check with the web for latest revision.**

SPECIFICATION CONTROL DRAWING © Raychem Corporation 1985

UNLESS OTHERWISE SPECIFIED DIMENSIONS ARE IN INCHES. METRIC DIMENSIONS ARE IN BRACKETS.	DRAWN	HAWKINGS	12-17-84	Raychem			RAYCHEM CORPORATION 300 CONSTITUTION DRIVE MENLO PARK, CALIFORNIA 94025
	CHECKED	J.B.		TITLE			
	APPROVED	J.BLAIR	1-24-85	CONTACT, PIN, SIZE 16 MTCP SERIES			
	APPROVED	J.CAMERON	2-11-85				
DECIMALS	.XXX ±	[mm]	CAD NAME				
	.XX ±	[mm]	005200-1				
ANGLES	.X ±		THIRD ANGLE PROJECTION				
WEIGHT	△ 6 lbs [g]	DO NOT SCALE THIS DRAWING					
			SIZE	CODE IDENT. NO.	DWG. NO.	REV	
			C	06090	CTA-0079	C	
						SHEET 1 OF 1	

DWG. NO. CTA-0079 SHEET 1