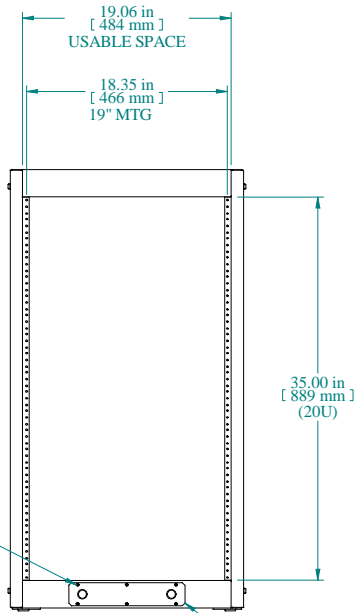


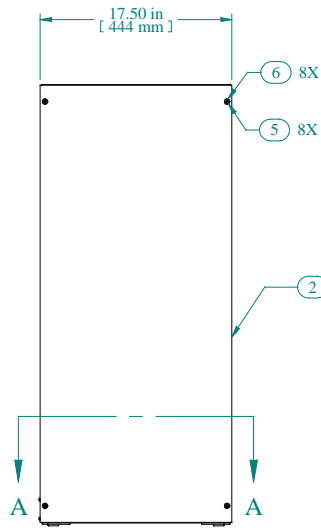
SECTION A-A



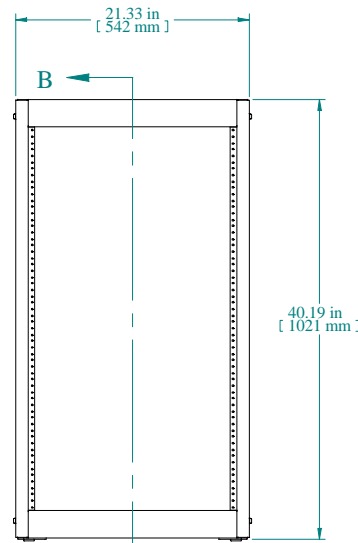
TOP VIEW ①



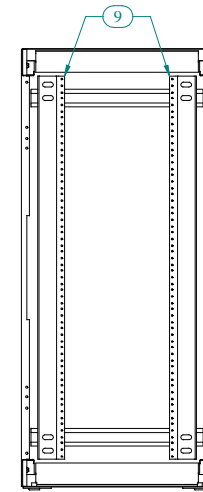
REAR VIEW



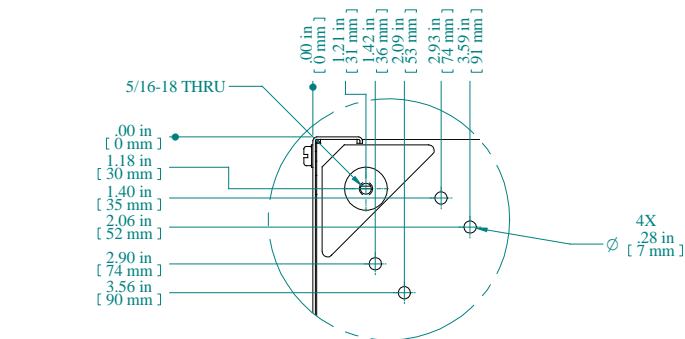
L.S. VIEW



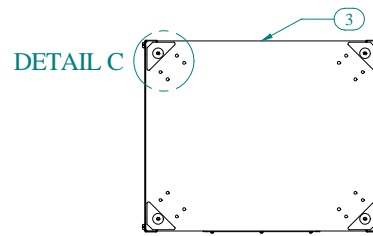
FRONT VIEW



SECTION B-B



DETAIL C



BOTTOM VIEW

Item Number	Title	Quantity
1	REFK - TOP PANEL	1
2	REFK - SIDE PANEL	2
3	REFK - BOTTOM PANEL	1
4	NUT 1/4-20 KEP	8
5	SCREW 1/4-20 X 1/2	8
6	FLAT NYLON WASHER 1/4" LD.	8
7	SCREW 6-32X1/4 SELF TAPPING	6
8	REFK - GLAND PLATE	1
9	COMBINATION RAILS TAPPED (PAIR)	2

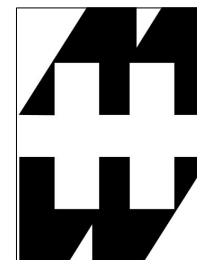
PART NUMBERS

REFK1903517BK1	PAINTED BLACK TEXTURED
REFK1903517CG1	PAINTED CONT. GRAY TEXTURED
REFK1903517LG1	PAINTED RAL7035 TEXTURED

NOTES

Shipped knockdown for handling ease & protection.

Data subject to change without notice. Isometric drawing not to scale.



**HAMMOND
MANUFACTURING™**

www.hammondmfg.com

PART NO. REFK1903517