



PART NAME

NEMA DIE CAST ALUM. ENCLOSURE W/MTG. BRKT

PART No.

AN-2819-A & AN-2819-AB

REVISION DATE

9-30-15

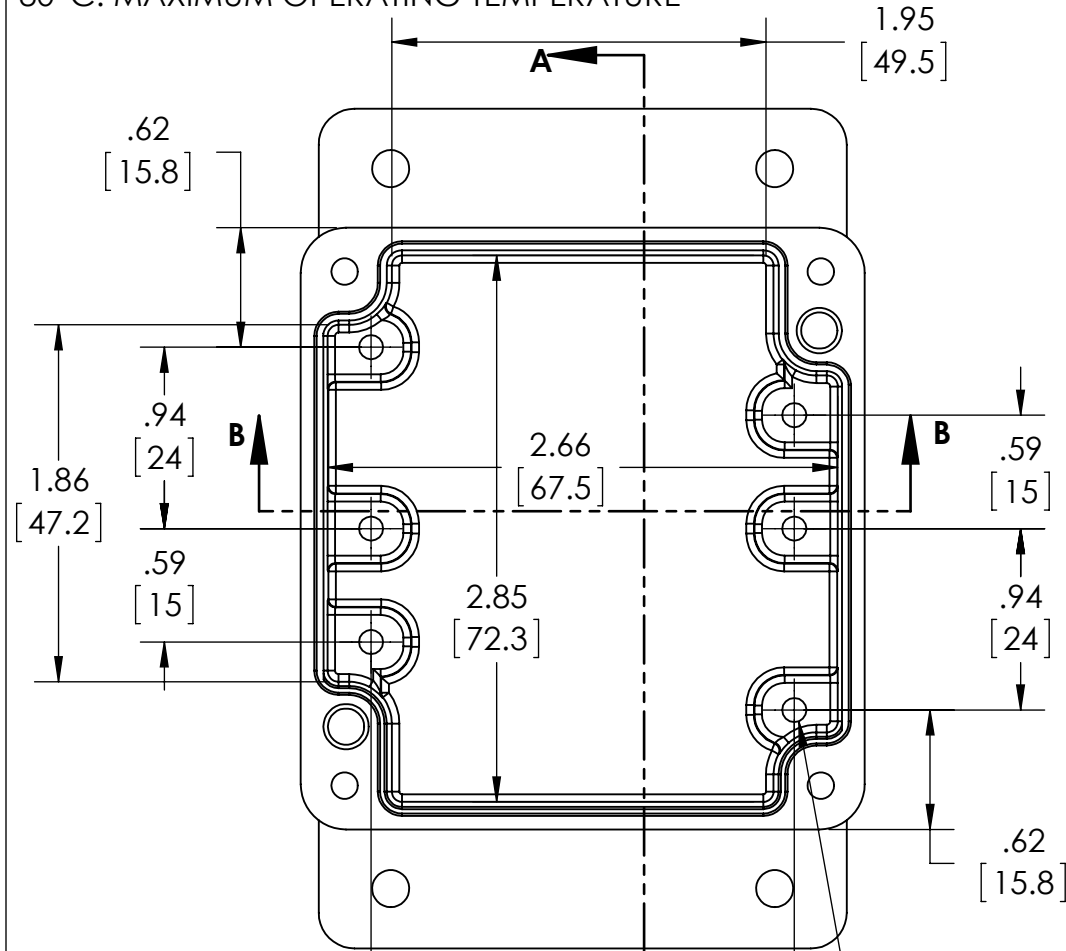
UL LISTED FOR U.S. AND CANADA - FILE #E194432

UPDATE REPLACES PART NO. AN-2819 & AN-2819-B

**DRAWING FOR REFERENCE**  
WE RESERVE THE RIGHT TO MAKE CHANGES TO OUR STANDARD PRODUCTS. PLEASE CONSULT WITH BUD INDUSTRIES PRIOR TO USING THIS DRAWING FOR DESIGN PURPOSE.

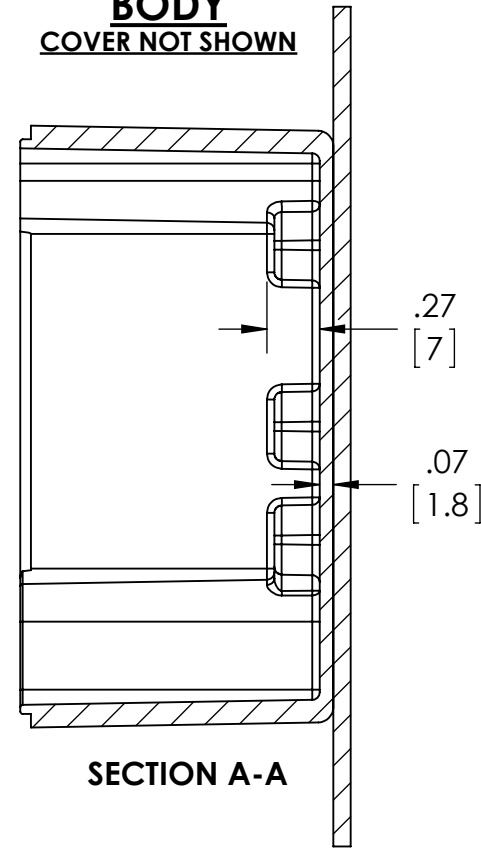
TYPE RATING 4, 4X, 6, 6P, 12 AND 13, COMPARE TO IP-68

80°C. MAXIMUM OPERATING TEMPERATURE

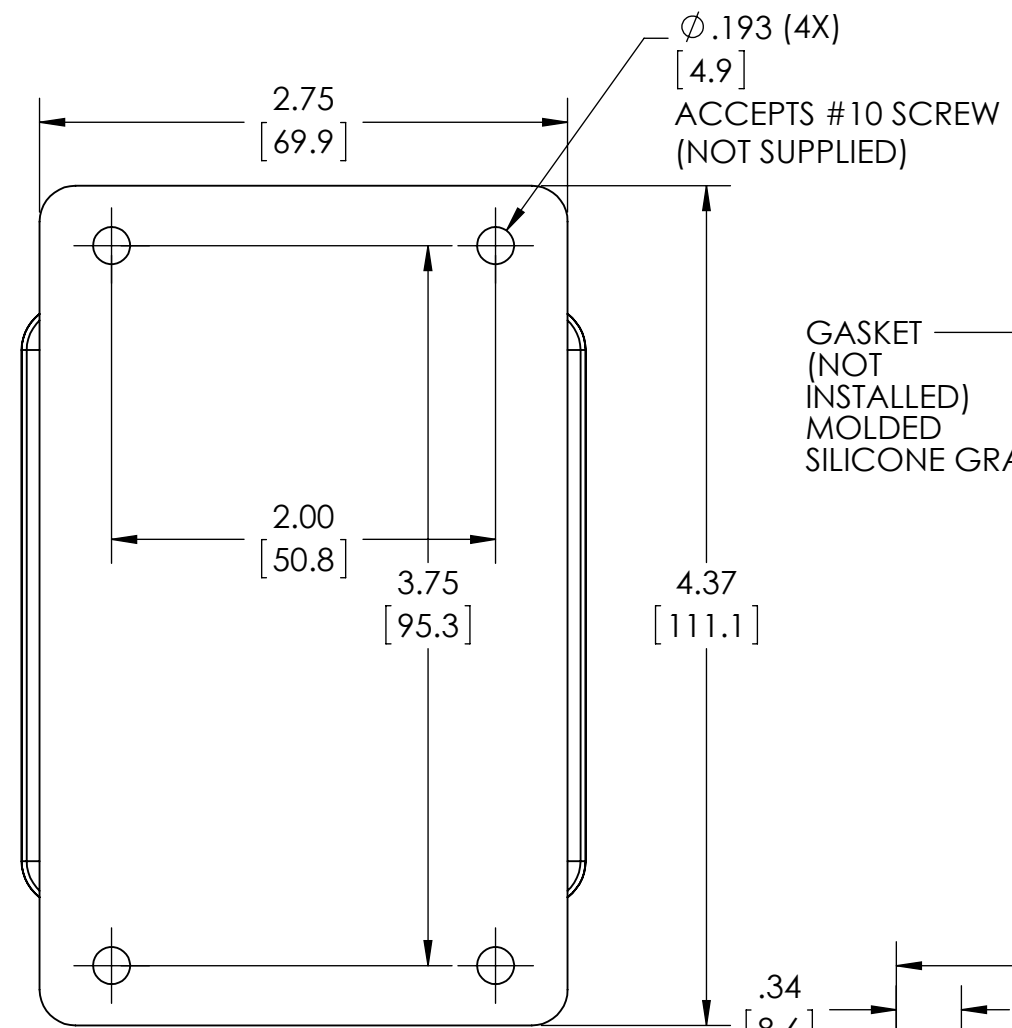


$\phi$ .126 x .240 DEEP (6X)  
[3.2] [6.0]  
ACCEPTS M3.5 x 6mm LG.  
OR #6 x 1/4" LG.  
SELF-TAPPING SCREW  
(NOT SUPPLIED - FOR PCB  
MOUNTING)

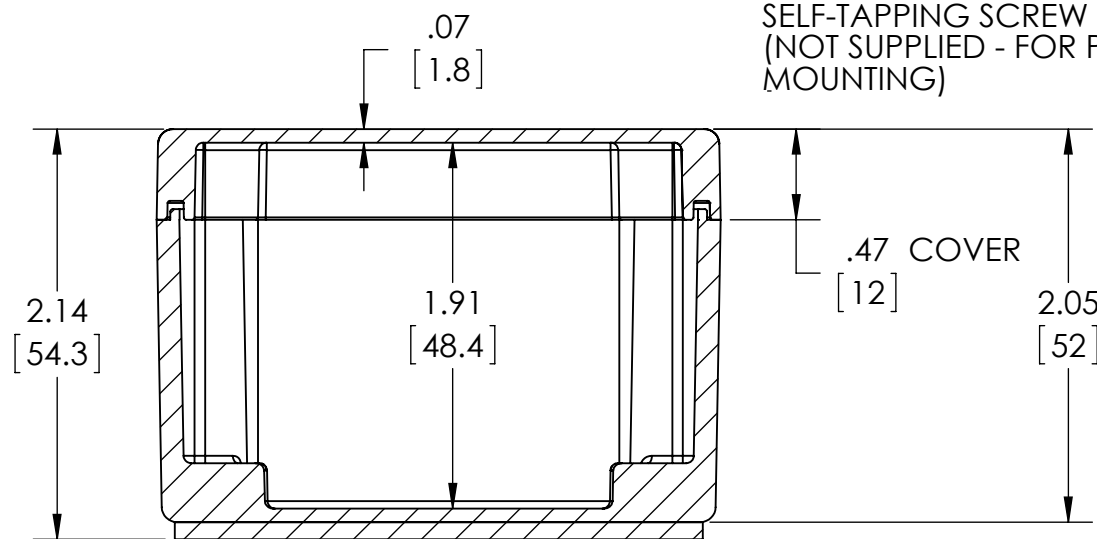
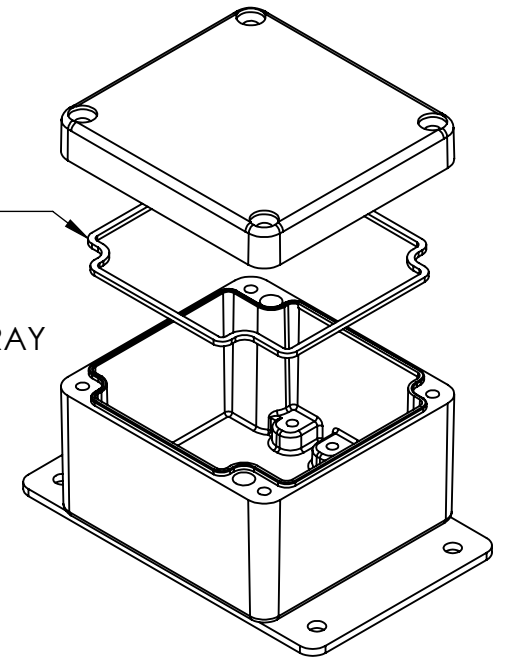
**BODY  
COVER NOT SHOWN**



**SECTION A-A**



GASKET  
(NOT  
INSTALLED)  
MOLDED  
SILICONE GRAY



**SECTION B-B**

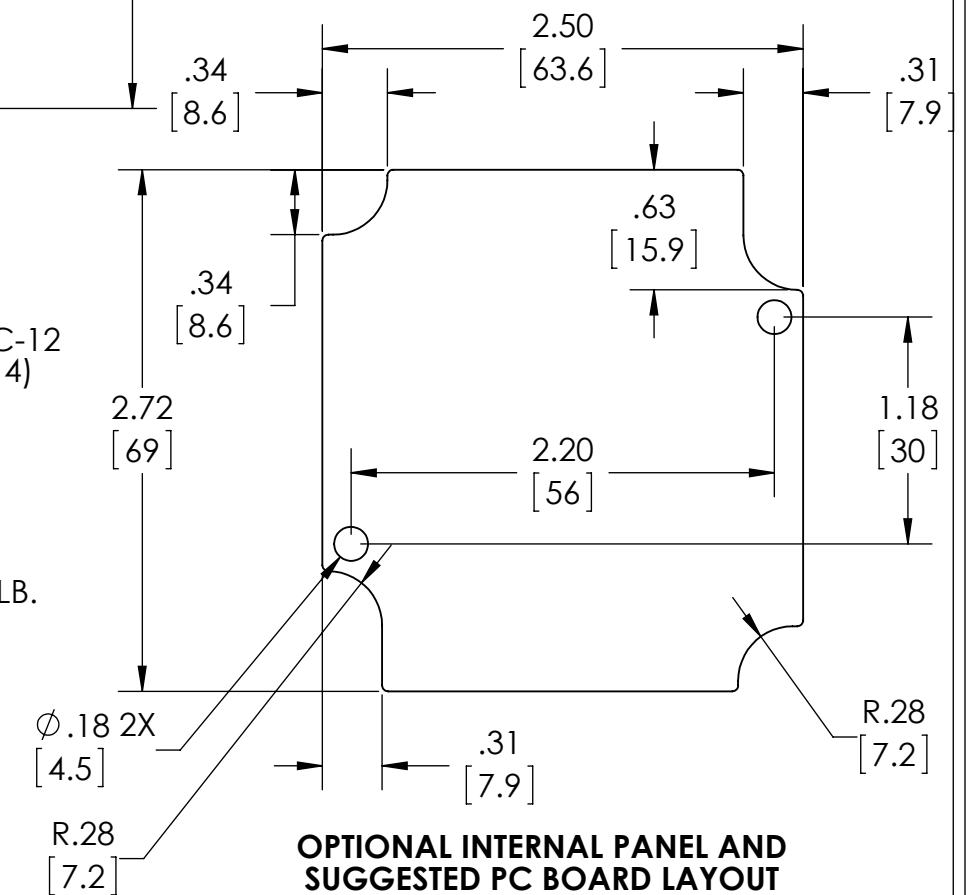
MATERIAL: BODY & COVER - ALUMINUM ALLOY #ADC-12  
MOUNTING BRACKET - .09 THK. ALUMINUM (3003-H14)

FINISH: NATURAL (SUFFIX -A)  
SMOOTH BLACK POWDERCOAT (SUFFIX -AB)

FOUR (4) M4x0.7 x 20mm (.79") LG. 90°CSK. HEAD  
STAINLESS STEEL CAPTIVE SCREWS SUPPLIED FOR  
ASSEMBLY OF COVER TO BODY. APPLY AT 12 IN./LB.  
OF TORQUE.

OUTSIDE AND INSIDE DRAFT ANGLE: 1°  
DIMENSIONS ARE INCH[MM]

OPTIONAL ACCESSORIES:  
PCB MOUNTING KIT #57-58  
INTERNAL PANEL #ANX-91319  
REPLACEMENT GASKET #1319GSKTSC



**OPTIONAL INTERNAL PANEL AND  
SUGGESTED PC BOARD LAYOUT**