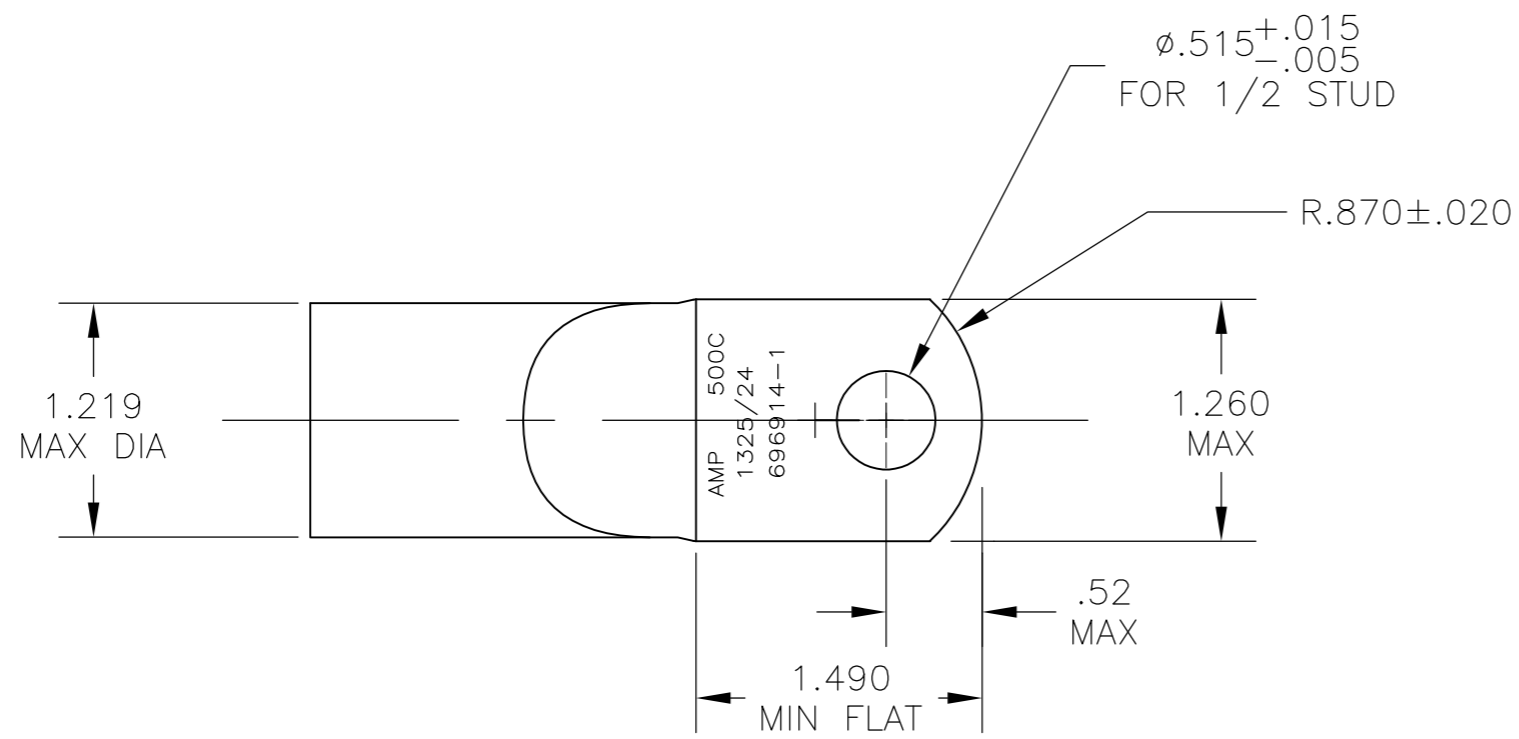
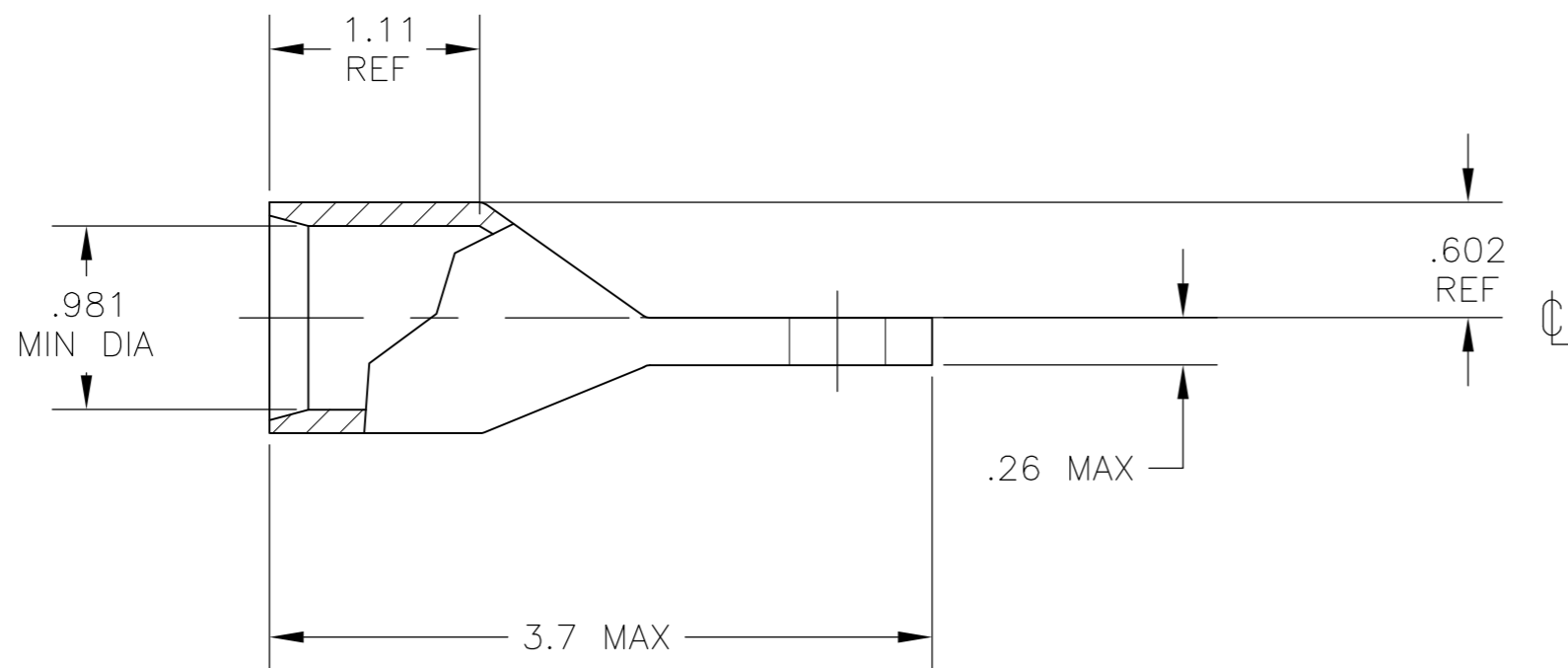


THIS DRAWING IS UNPUBLISHED. RELEASED FOR PUBLICATION
 © COPYRIGHT BY TYCO ELECTRONICS CORPORATION. ALL RIGHTS RESERVED.

LOC	DIST	REVISIONS					
G	86	P	LTR	DESCRIPTION	DATE	DWN	APVD
		A		REL PER ECR 08-004692	28FEB08	JR	RL



- ① TIN PL .000150 MIN THK PER ASTM B-545
- ② CIRCULAR MIL RANGE: 450-550 MCM
- ③ COPPER PER ASTM B-75, ANNEALED
- ④ PREPRODUCTION - FASR REQUIRED



④ 696914-1
 PART NO.

THIS DRAWING IS A CONTROLLED DOCUMENT.		DWN	JR RUTH	07DEC05	Tyco Electronics Corporation Harrisburg, PA 17105-3608								
DIMENSIONS: INCHES		CHK	MJ SPICER	07DEC05									
TOLERANCES UNLESS OTHERWISE SPECIFIED:		APVD	MJ SPICER	07DEC05									
0 PLC ± - 1 PLC ± - 2 PLC ± .020 3 PLC ± - 4 PLC ± - ANGLES ± -		PRODUCT SPEC	NAME			TERMINAL, AMPPOWER, WIRE SIZE: 253.0mm[500]MCM							
MATERIAL	③	FINISH	①	WEIGHT	-	SIZE	A2	CAGE CODE	00779	DRAWING NO	④=696914	RESTRICTED TO	-
CUSTOMER DRAWING		SCALE	1:1	SHEET	1 of 1	REV	A						

696914