

D2E097-BE11-77

# AC centrifugal fan

forward curved, dual inlet

with housing (flange)

## ebm-papst Mulfingen GmbH & Co. KG

Bachmühle 2 · D-74673 Mulfingen

Phone +49 7938 81-0

Fax +49 7938 81-110

info1@de.ebmpapst.com

www.ebmpapst.com

Limited partnership · Headquarters Mulfingen

County court Stuttgart · HRA 590344

General partner: Elektrobau Mulfingen GmbH · Headquarters Mulfingen

County court Stuttgart · HRB 590142

## Nominal data

Type	D2E097-BE11-77	
Motor	M2E042-CA	
Phase		1~
Nominal voltage	VAC	115
Frequency	Hz	60
Type of data definition		fa
Valid for approval / standard		UL 2111
Speed	min <sup>-1</sup>	1100
Power input	W	50
Current draw	A	0.43
Motor capacitor	µF	6
Capacitor voltage	VDB	220
Capacitor standard		UL
Max. ambient temperature	°C	-

ml = max. load · me = max. efficiency · fa = running at free air · cs = customer specs · cu = customer unit  
Subject to alterations



# AC centrifugal fan

forward curved, dual inlet  
with housing (flange)

## Technical features

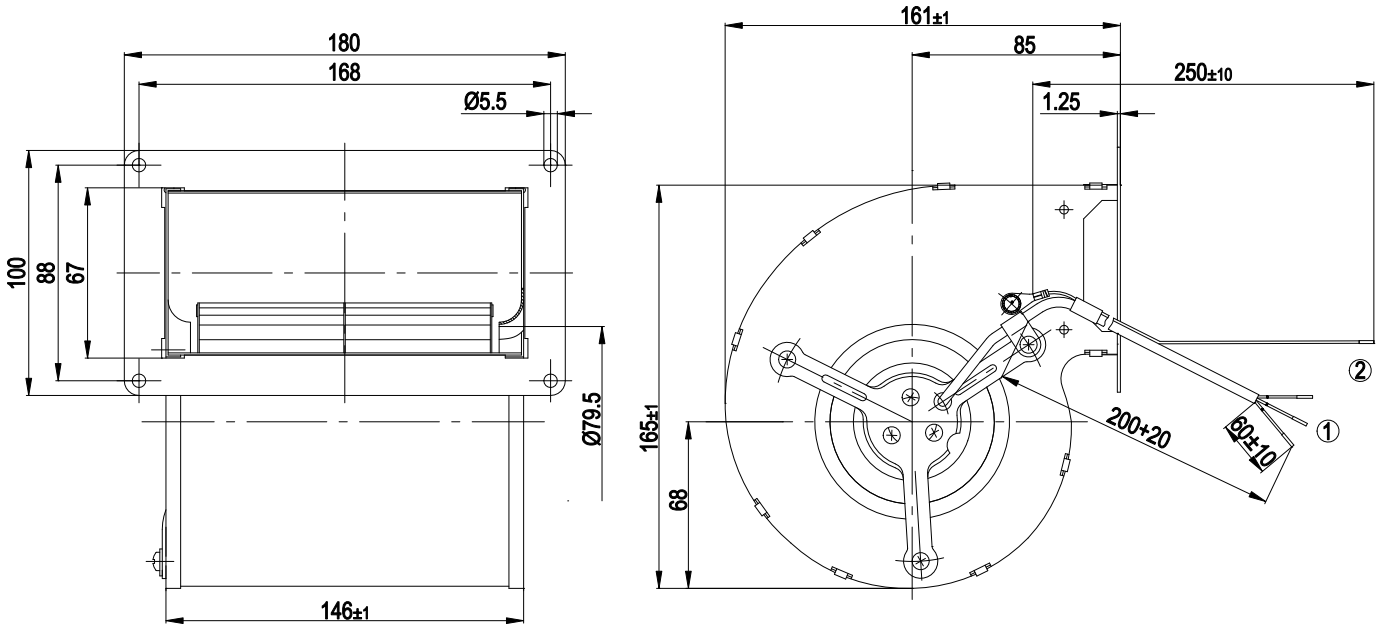
<b>Mass</b>	1.48 kg
<b>Size</b>	97 mm
<b>Surface of rotor</b>	Partially cast in aluminium
<b>Material of impeller</b>	Sheet steel, hot-dip galvanised
<b>Housing material</b>	Sheet steel, hot-dip galvanised
<b>Motor suspension</b>	Motor mounted via brackets on one side
<b>Direction of rotation</b>	Counter-clockwise, seen on rotor
<b>Type of protection</b>	IP 22
<b>Insulation class</b>	"B"
<b>Max. permissible ambient motor temp. (transp./ storage)</b>	+ 80 °C
<b>Min. permissible ambient motor temp. (transp./storage)</b>	- 40 °C
<b>Mounting position</b>	Any
<b>Condensate discharge holes</b>	None
<b>Operation mode</b>	S1
<b>Motor bearing</b>	Ball bearing
<b>Leakage current</b>	< 0.75 mA
<b>Motor protection</b>	Thermal overload protector (TOP) wired internally
<b>Protection class</b>	I (if protective earth is connected by customer)
<b>Product conforming to standard</b>	EN 60335-1; CE
<b>Approval</b>	UL 507; CSA C22.2 Nr.113



# AC centrifugal fan

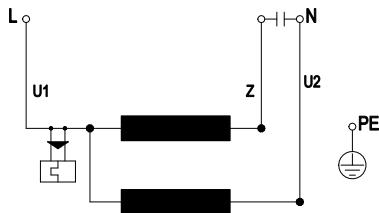
forward curved, dual inlet  
with housing (flange)

## Product drawing



- |   |   |
|---|---|
| 1 | Connection line PVC, 3x brass lead tips crimped |
| 2 | Lead wire AWG 20, 1 x brass lead tips crimped   |

## Connection screen



U1	blue	Z	brown	U2	black
PE	green/yellow				

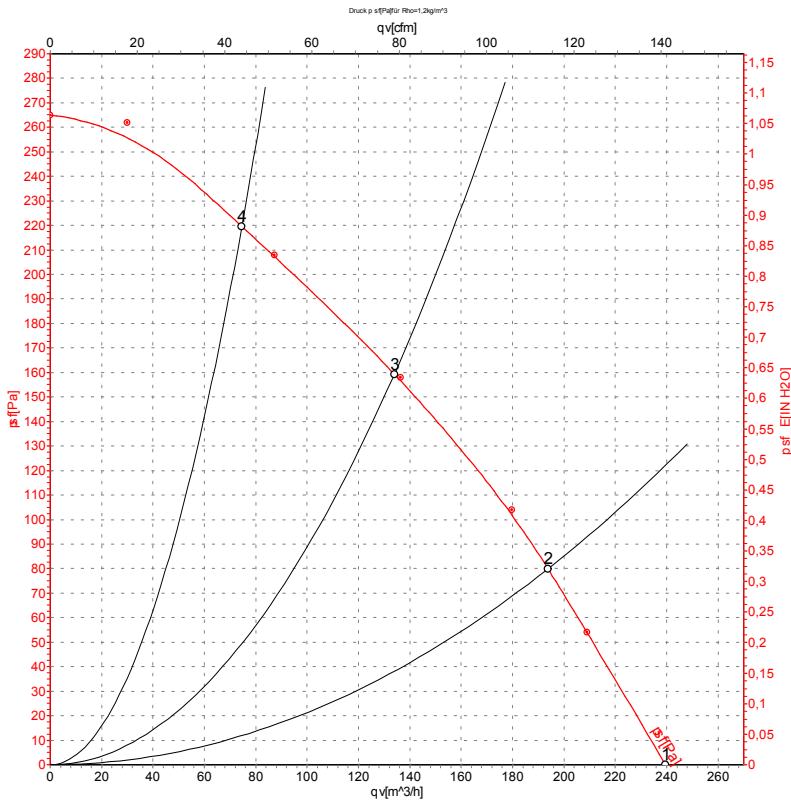


# AC centrifugal fan

forward curved, dual inlet

with housing (flange)

## Charts: Air flow 60 Hz



Measurement: LU-4344

Air performance measured as per ISO 5801 Installation category A. For detailed information on the measuring set-up, please contact ebm-papst. Suction-side noise levels: L<sub>wA</sub> measured as per ISO 13347 / L<sub>pA</sub> measured with 1m distance to fan axis. The values given are valid under the measuring conditions mentioned above and may vary according to the actual installation situation. With any deviation from the standard set-up, the specific values have to be checked and reviewed with the unit installed.

## Measured values

	U	f	n	P <sub>e</sub>	I	qV	p <sub>sf</sub>
	V	Hz	min <sup>-1</sup>	W	A	m <sup>3</sup> /h	Pa
1	115	60	1100	50	0.43	240	0
2	115	60	1725	43	0.41	195	80
3	115	60	2330	39	0.37	135	160
4	115	60	2675	37	0.34	75	220

