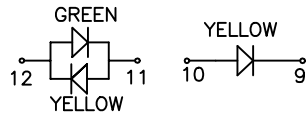
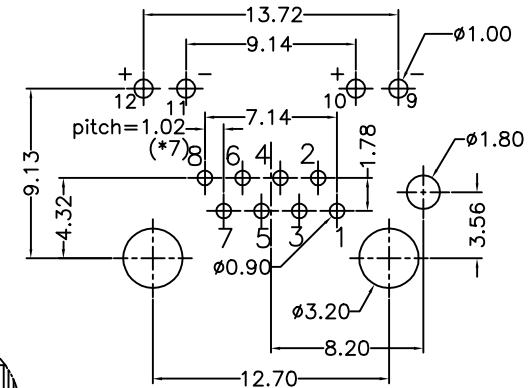
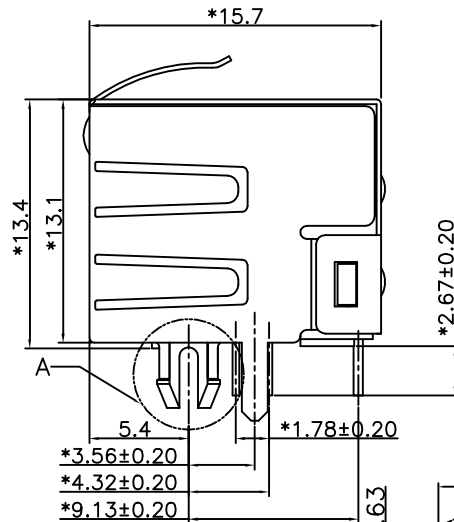
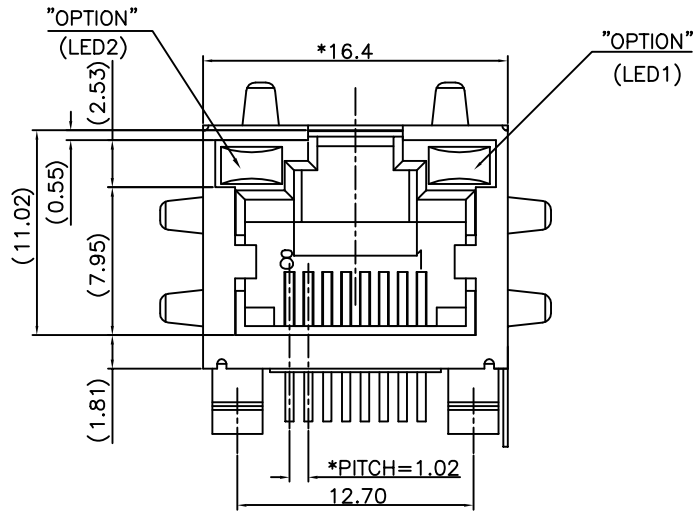
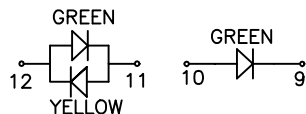


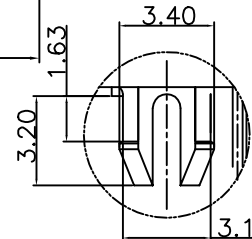
REVISION RECORD				
REV	ECO	DESCRIPTION	DRFT	CHKD



PART NUMBER: E5J88-JXLXVX-L



PART NUMBER: E5J88-KXLXVX-L



SCALE 1.5:1

PC Board Layout (t=1.60mm)
Component Side Shown

NOTES:

ELECTRICAL:

- VOLTAGE RATING : 125 VAC RMS.
- CURRENT RATING : 1.5 AMP.
- CONTACT RESISTANCE : 30 MILLIOHMS MAX.
- INSULATION RESISTANCE: 1000 MEGOHMS MIN @ 500 VDC.
- DIELECTRIC STRENGTH : 1000 VAC RMS 60Hz, 1MIN.
- LED RATINGS: FORWARD VOLTAGE: 2.2 VOLTS TYPICAL.
REVERSE VOLTAGE: 5 VOLTS MINIMUM.
- OPERATING: 750 CYCLES MIN.

MECHANICAL:

- HOUSING MATERIAL : FR52 UL94V-0. COLOR-BLACK.
- INSERT MATERIAL : FR52 UL94V-0. COLOR-BLACK.
- BACK PLATE MATERIAL : FR52. COLOR-BLACK.
- LED SIZE : 3.2*2.0*7.0*P=2.54mm.
- SHIELD MATERIAL : COPPER ALLOY 0.25mm THICKNESS PLATING NI.
- CONTACT MATERIAL : PHOSPHOR BRONZE 0.35mm THICKNESS OR Ø0.46.
- PLATING : GOLD PLATING OVER NICKEL.
- PCB RETENTION PRE-SOLDER : 1 LB MIN.
- PCB RETENTION POST-SOLDER: 10 LBS MIN.

ENVIRONMENTAL:

- STORAGE : -40°C TO +85°C.
 - OPERATION: -40°C TO +85°C.
 - WAVE SOLDERING TEMPERATURE: 255~265°C(5~10 SECONDS)
- MATES WITH MODULAR PLUG CONFORMING TO
FCC PART 68, SUBPART F.
CUL FILE No:E163191

PART NUMBER: E 5 J 8 8 - X X L J V X-L

- 1-LED1:GREEN ,LED2:YELLOW
- 2-LED1:GREEN ,LED2:GREEN
- 3-LED1:YELLOW ,LED2:GREEN
- 5-LED1:RED ,LED2:GREEN
- 7-LED1:YELLOW ,LED2:YELLOW
- J-LED1:G+Y ,LED2:YELLOW
- E-LED1:GREEN ,LED2:RED
- K-LED1:G+Y ,LED2:GREEN

PLATING: 1-3u" 2-6u"
3-15u" 4-30u" 5-50u"
J-W/O LOGO FR52

- 1-NO TAB
- 2-TOP TABS.
- 3-SIDE TABS.
- 4-TOP TABS & SIDE TABS.

<p>← MM (INCH) →</p> <p>TOLERANCES EXCEPT AS NOTED</p> <p>MM ±</p> <p>.0 ± 0.20 ±</p> <p>.00 ± 0.15 ±</p> <p>.000 ± 0.075 ±</p> <p>ANGLES ±</p> <p>THIRD ANGLE PROJECTION</p>		<p>DFTO YANGLAN DATE 07/22/05</p> <p>CHKD/MAKE DATE2005/07/23</p> <p>MFO DATE</p> <p>APPV/LUSHENG DATE2005/07/23</p> <p>MATERIAL :</p> <p>FINISH :</p> <p>SCALE : 3:1</p>	<p>FULL RISE ELECTRONIC CO., LTD</p> <p>TITLE</p> <p>RJ45 SIDE ENTRY LED JACK</p> <p>DRAWING NO. GE5J3152-LA</p> <p>/PART NO. SEE NOTE</p> <p>DO NOT SCALE DRAWING</p>	<p>SIZE</p> <p>A3</p> <p>REV</p> <p>0</p> <p>SHEET 1 OF 1</p>
---	--	---	--	---