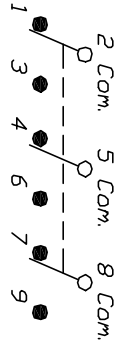
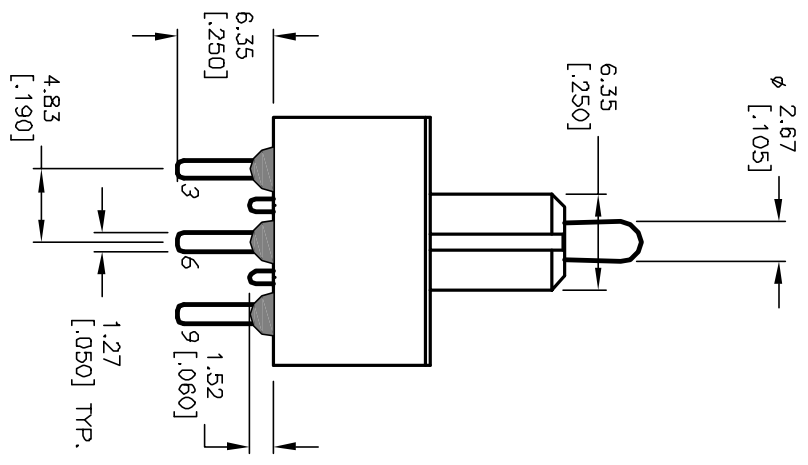
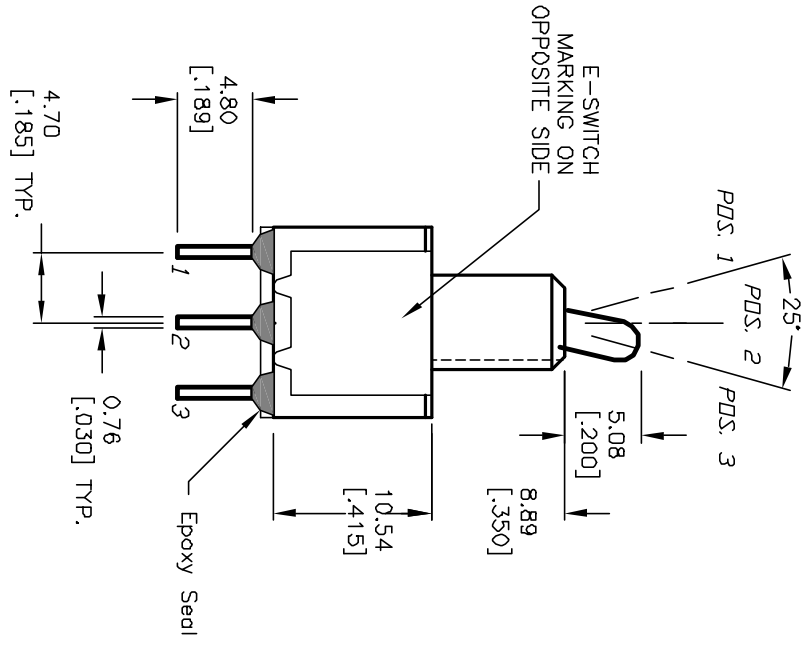
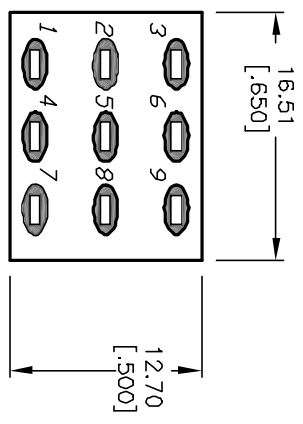
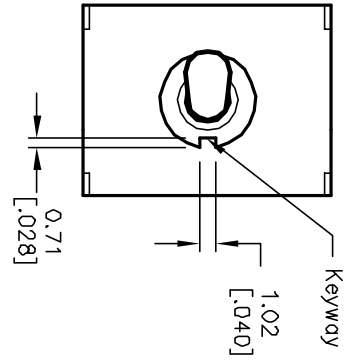


| SWITCH FUNCTION | | |
|-----------------|--------|----------------|
| POS. 1 | POS. 2 | POS. 3 |
| | | |
| 2-3,5-6 8-9 | NONE | 2-1,5-4 8-7 |



- NOTES:
1. ALL DIMENSIONS IN MM [INCH]
 2. GENERAL TOLERANCE: X.X=±0.4
X.XX=±0.25
 3. TERM. NOS. FOR REF. ONLY
 4. RATING: 5A @120VAC or 28VDC;
2A @250VAC
 5. MATERIALS: FIXED TERM. & MOVING CONTACT:
Copper Alloy W/Silver plate
 6. ELECTRICAL LIFE: 50,000 make-and-break
cycles at full load.
 7. INSULATION RESISTANCE: 1,000M ohm min.
 8. DIELECTRIC STRENGTH: 1000V RMS @sea level
 9. OPERATING TEMP.: -30°C to 85°C



E-SWITCH®

| | | | | |
|--------|---------------|-------------------------|----------|------|
| REV. A | ECN No. 12518 | RELEASED FOR PRODUCTION | 10/28/02 | CJB |
| | | DESCRIPTION | DATE | CHKD |

| | | | | | |
|-----------------------|-------|----------|----|---------|-----|
| TITLE | SCALE | DATE | DR | DWG | REV |
| 100 3P-1 T2 B2 M2 Q E | 2:1 | 10/28/02 | CB | T131029 | A |

THE INFORMATION CONTAINED IN THIS DOCUMENT IS PROPRIETARY TO E-SWITCH AND IS NOT TO BE COPIED OR TRANSMITTED