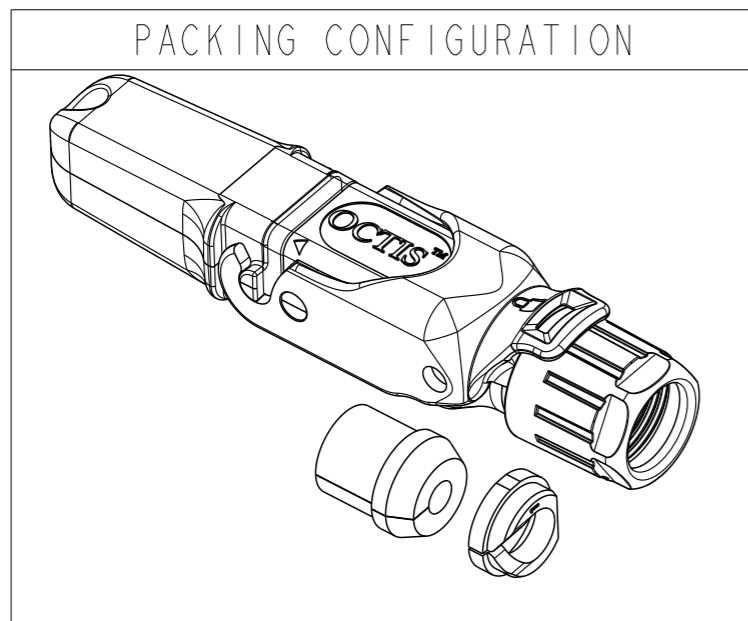
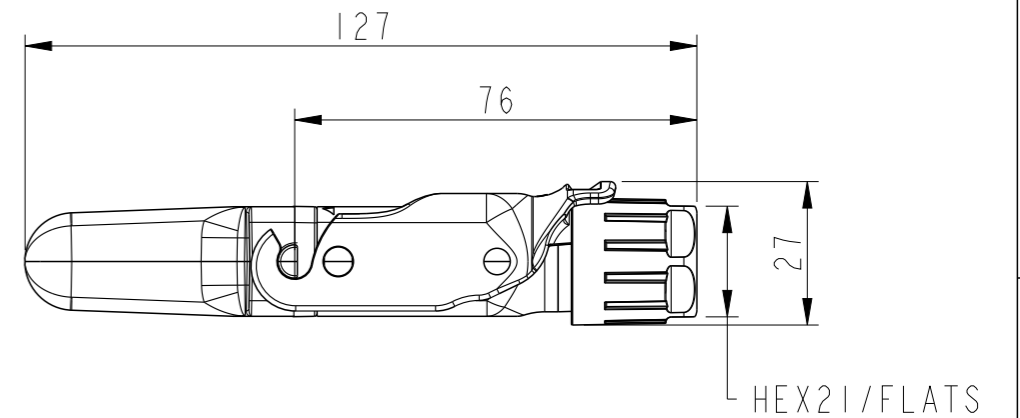
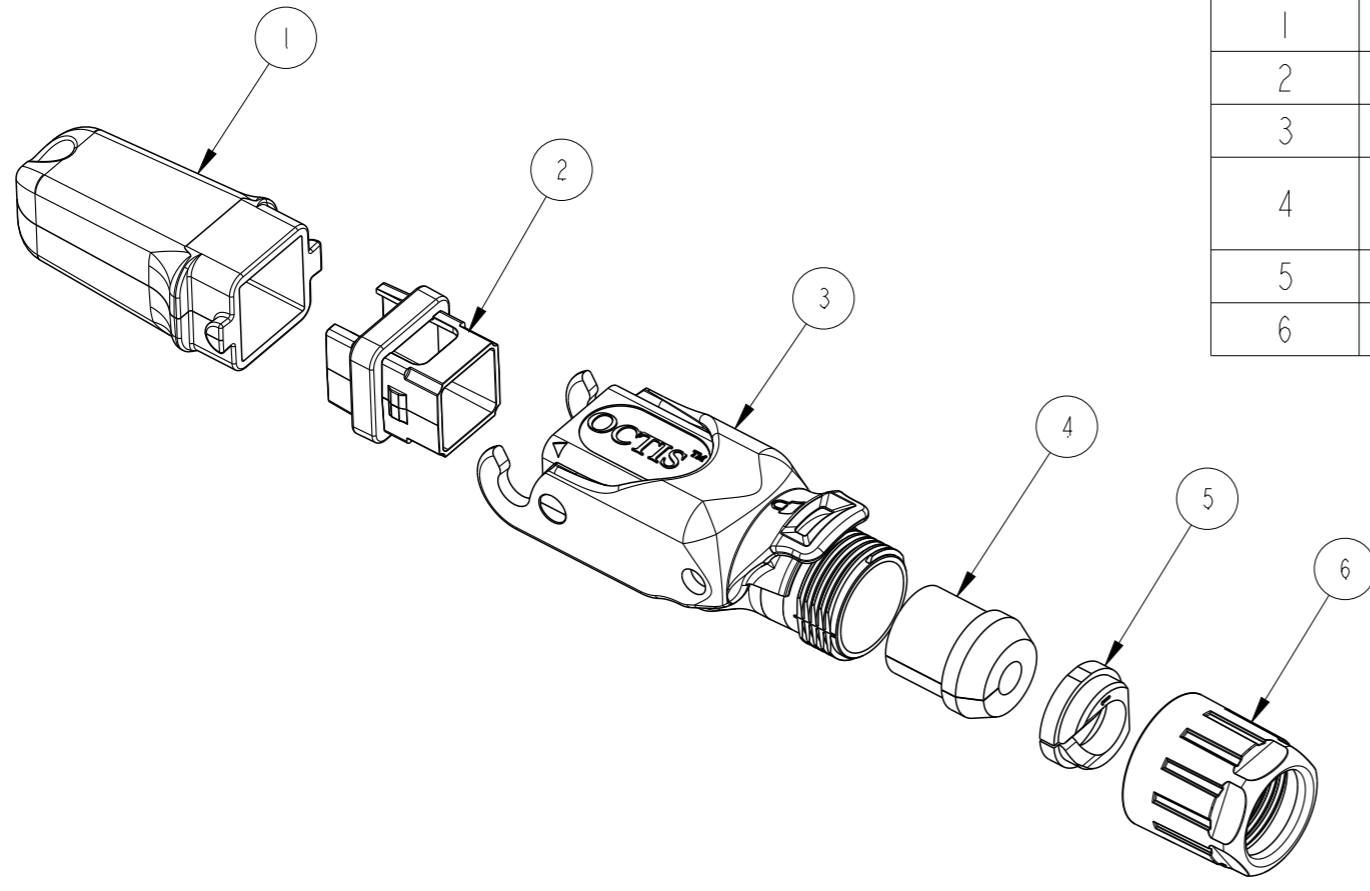


PART NUMBER
SEE TABLE

OCTIS UNIVERSAL PLUG KIT, PITCH 26 MM

BOM OF PLUG KIT PART NUMBER: 10145416-XXXLF

SL NO.	COMPONENT	MATERIAL	QTY	COLOUR
1	PLUG CAP	PBT GF	1	BLACK
2	HOLDER SUBSET KIT	PBT GF+SILICONE	1	GREY+BLACK
3	HOUSING SUBSET KIT	PBT GF+IXEF	1	GREY+BLACK
4	SPLIT RUBBER GLAND	SILICONE	-	BLACK (SEE TABLE BELOW)
5	TIGHTENING CONE	PA	1	BLACK
6	GLAND NUT	PBT GF	1	BLUE



AFCI PN	DESCRIPTION	RUBBER GLAND DIA	CABLE SPEC	QTY
10145416-101LF	LC DUPLEX/MPO ADAPTER VERSION	6MM	FOR Ø6MM GLAND- OD 4.6MM MIN TO 5.6MM MAX.	1

* STANDARD RUBBER GLAND DIA OFFERED IS 6MM
OPTIONAL RUBBER GLAND DIA OF 7MM, 8MM, 9MM & 10 MM AVAILABLE ON REQUEST

spec ref	-	dr	Jibin John	2017/11/28	projection	MM	size	A3	scale	1:1
tolerance std	ISO 406 ISO 1101	eng	B T Varghese	2018/01/18			ecn no		-	
TOLERANCES UNLESS OTHERWISE SPECIFIED		chr	-	-			rel level		Released	
surface	linear	0.X	±0.3		product family		OCTIS		rel level	
		0.XX	±0.13		UNIVERSAL PLUGKIT		dwg no		10145416	
		0.XXX	±0.05		OCTIS, PITCH 26 MM		rev		A	
ISO 1302	angular	0°	±2°	cat. no.	Product - Customer Drw		sheet 1 of 2			

GENERAL CHARACTERISTICS

Mechanical		
Mating endurance (cycles)	IEC 61300-2-2	100
Axial Tensile load (N min)	IEC 61300-2-4	150
Vibration	IEC 61300-2-1	-
Recom. coupling torque (N.cm)	-	200 min / 250 max
Weight (g)	-	43.127
Environmental		
Protection class (mated condition)	IEC 60529	IP67(*)
Operating temperature (°C)	IEC 61300-2-22	-40 / +85
Storage temperature (°C)	IEC 61300-2-22	-40 / +85
Humidity (damp heat) (%RH)	IEC 61300-2-19	5 / 95
Salt Mist	IEC 61300-2-26 (ISO21207 method B)	720h (To be tested) (*)
RoHS	-	Compliant
Flammability	UL 94	V0
UVB Resist	ASTM G154	Compliant
Others:		
Cable	IEC 60603-7	For use with standard LC duplex patchcord, MultiMode or SingleMode, standard SFP or SFP+ transceiver
		Diameter Cable tbd ± 0.2 mm
Packaging	-	Unitary in plastic bag. With assembly note

(*) Mated condition

NOTES:

1. 10145416-XXXLF-PLUGKIT CAN BE USED EITHER WITH

- * 10145423-101LF "BULKHEAD LC DUPLEX ADAPTER ASSEMBLY"
- * 10145295-101LF "BULKHEAD MPO ADAPTER ASSEMBLY"

10145416-XXXLF



PRELIMINARY

spec ref	-	dr	Jibin John	2017/11/28	projection	MM	size	A3	scale	1:1
tolerance std	ISO 406 ISO 1101	eng	B T Varghese	2018/01/18		← →	ecn no	-	rel level	Released
TOLERANCES UNLESS OTHERWISE SPECIFIED		chr	-	-						
surface	linear	appr	K-Paul Bijju	2018/01/18	product family	OCTIS	dwg no	10145416	rev	A
	angular				UNIVERSAL PLUGKIT					
ISO 1302	0.X ±0.3 0.XX ±0.13 0.XXX ±0.05				OCTIS, PITCH 26 MM					
	0° ±2°	cat. no.			Product - Customer Drw				sheet 2 of 2	