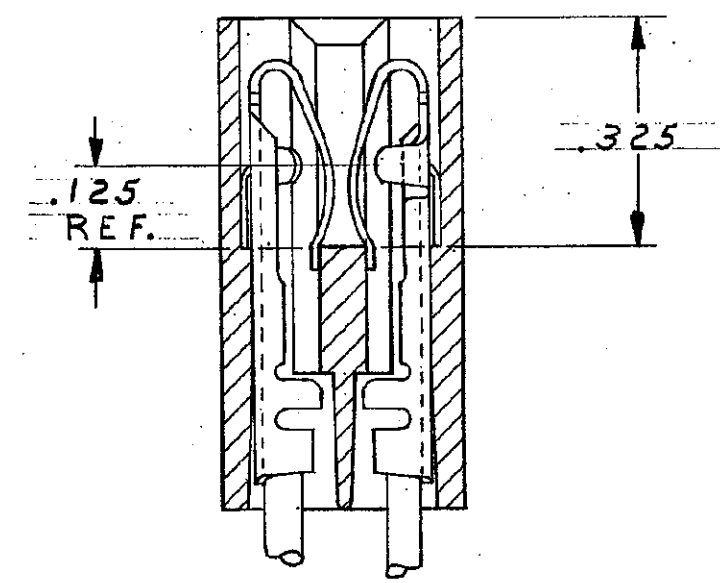
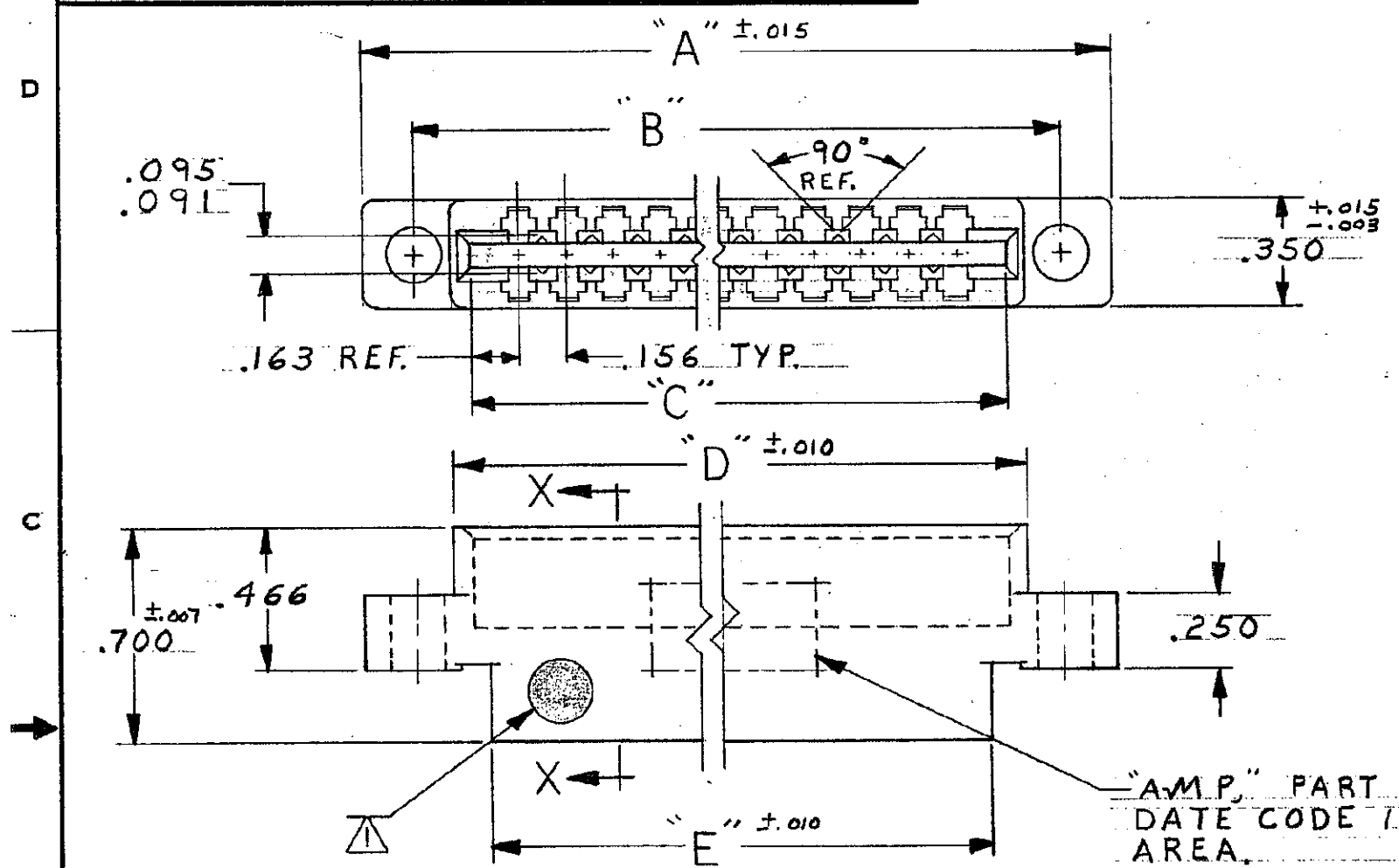


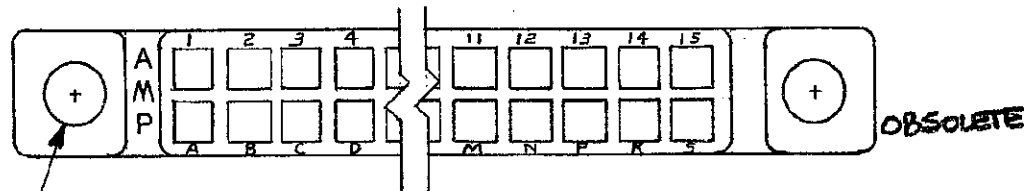
DRAWING MADE IN AMERICAN PROJECTION

© 1961 BY AMP INCORPORATED. ALL RIGHTS RESERVED. AMP PRODUCTS COVERED BY PATENTS AND/OR PATENTS PENDING.

REVISIONS				
ZONE	LTR	DESCRIPTION	DATE	APPROVED
	AD	REDRAWN & REVISED	3270	11-17-71 m.s. d.H.
	AE	REVISED NOTE 1	7490	8-4-81
✓	AF	REV PER AD 1735		7-27-87
✓	AG	REV PER EC 0320-344-47		24 NOV 97 NS



SECTION X-X



.187 DIA. HOLE
2 HOLES

"AMP," PART NO. &
DATE CODE IN THIS
AREA.

- ① STAMP .250 ±.015 DIA. WHITE DOT ON LOWER LEFT HAND CORNER ON EITHER SIDE OF HOUSING
- ② DIALLYL PHTHALATE-GLASS FILLED PER MIL-M-14 F TYPE SDG-F COLOR: BLUE.
- ③ PHENOLIC-COLOR BLACK.

480110-7	3.182	±.007 2.854	2.506	2.621	2.376	① ③
480110-5	3.182	±.007 2.854	2.506	2.621	2.376	③
480110-2	3.187	±.0075 2.8590	2.510	2.625	2.380	②
PART NO.	"A"	"B"	"C"	"D"	"E"	MATERIAL

UNLESS OTHERWISE SPECIFIED DIMENSIONS ARE IN INCHES TOLERANCES ON: DECIMALS ±.005 ANGLES ±	CONTRACT NO.	AMP AMP INCORPORATED HARRISBURG, PENNSYLVANIA
	DR. <i>M. Smith</i> 11-16-71 CHK. <i>D.S. Heide</i> 11-22-71 APPD. <i>John W. Kaufman</i> 11-27-71 REL. <i>R. Sherman</i> 11-23-71	
MATERIAL SEE TABLE	DSGN APPD.	SIZE B
OTHER APPD.	CODE IDENT NO. 00779	NUMBER 480110
	SCALE 2-1 3-1	SHEET 1 OF 1

LOG FT
PRINT LIST
122