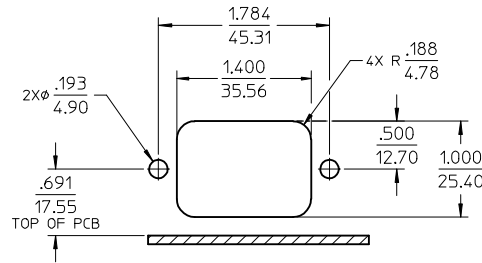
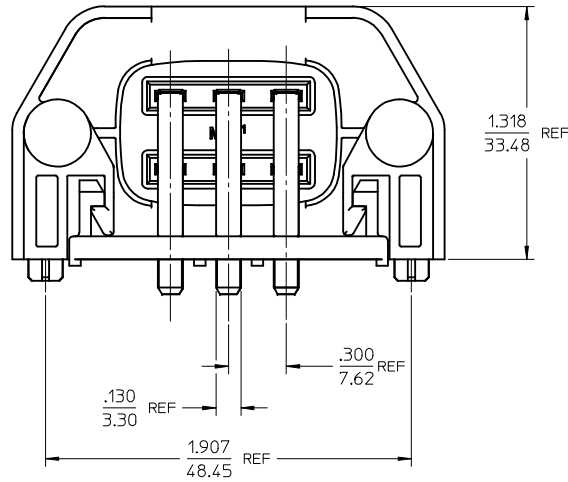


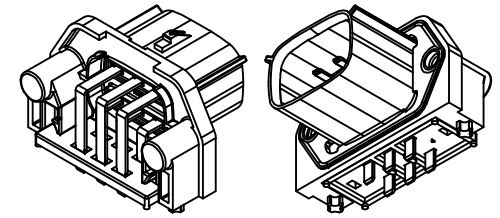
RECOMMENDED PCB LAYOUT
COMPONENT SIDE
TOLERANCES ARE NON-CUMULATIVE

SCALE 1:1

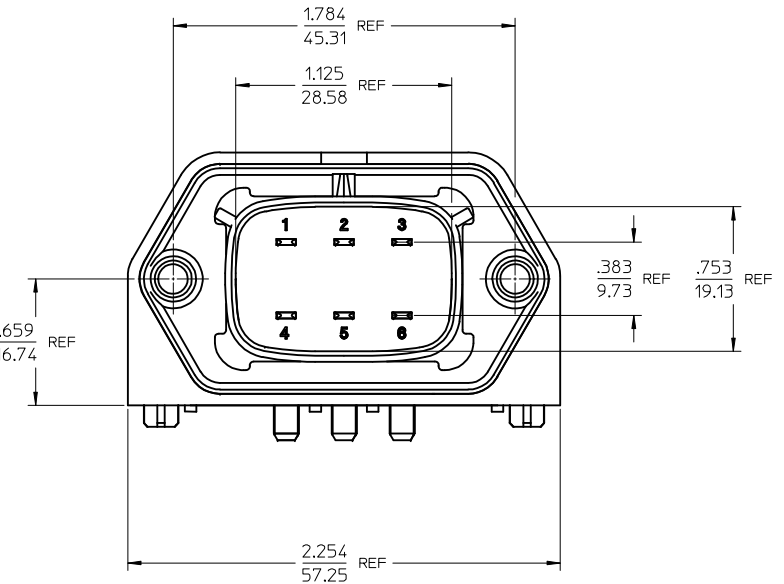
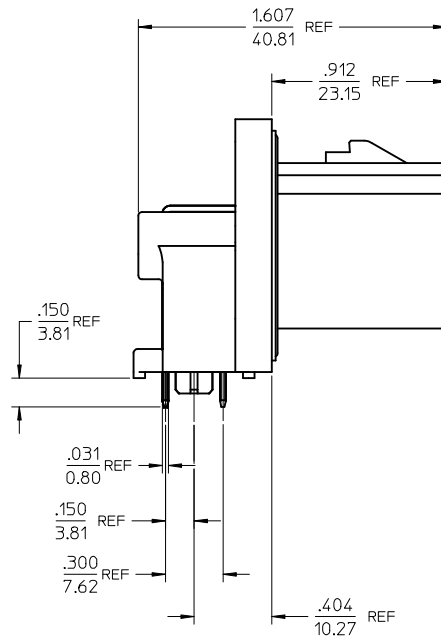


RECOMMENDED PANEL MOUNT OPENING
MAX. PANEL THK .093/2.362

SCALE 1:1



ASSEMBLED VIEW
SCALE 1:1



NOTES:

- MATERIALS:
HOUSING: POLYESTER (PBT), GLASS FILLED, UL94 V-0, COLOR: BLACK
TERMINALS: COPPER ALLOY
- TERMINAL FINISH: 100HM TIN OVER 50HM NICKEL
- PRODUCT SPECIFICATION: PS-19432-001
- PACKAGING SPECIFICATION: PK-19437-001
- MATES WITH: 19432 SERIES RECEPTACLE ASSEMBLIES.
- RECOMMENDED MOUNTING HARDWARE: (2)#10 X .62/15.7 LONG PLASTIC THREAD CUTTING SCREWS. RECOMMENDED TORQUE 15-17 IN-LBS.
SUGGESTED SOURCE: ITW SHAKEPROOF INDUSTRIAL BOSSCREW OR EQUIVALENT.
- ALL MATERIALS ARE ROHS COMPLIANT.

A201526286 EC NO: IPG2015-1818 DRWN: BARDEN 2015/04/22 CHKD: WLEUNG 2015/04/30 APPR: JFMURPHY 2015/07/20 (REV) DESCRIPTION	QUALITY SYMBOLS	GENERAL TOLERANCES (UNLESS SPECIFIED)	DIMENSION STYLE	SCALE	DESIGN UNITS	THIRD ANGLE PROJECTION	
	$\nabla=0$ $\nabla=0$	mm INCH	IN/MM	2:1	INCH		
		4 PLACES ± --- ± --- 3 PLACES ± --- ± .010 2 PLACES ± 0.26 ± .02 1 PLACE ± 0.5 ± ---	DRAWN BY DATE BARDEN 2015/04/22 CHECKED BY DATE WLEUNG 2015/04/30 APPROVED BY DATE JFMURPHY 2015/07/20	TITLE	MX150L RA HDR ASSY 6 WAY, 12-10-8AWG WITH PANEL GASKET		
		ANGULAR ± 3 °	MATERIAL NO. 194370040	DOCUMENT NO. SD-19437-026	MOLEX INCORPORATED		
	DRAFT WHERE APPLICABLE MUST REMAIN WITHIN DIMENSIONS	SIZE C	THIS DRAWING CONTAINS INFORMATION THAT IS PROPRIETARY TO MOLEX INCORPORATED AND SHOULD NOT BE USED WITHOUT WRITTEN PERMISSION				
						SHEET NO. 1 OF 1	