

# VSC3308

## 11.5 Gbps 8 × 8 Crosspoint Switch

Microsemi's multichannel 11.5 Gbps crosspoint switch provides a cost-effective solution for high-speed copper interconnects.

The VSC3308 is the industry's highest performance signal integrity crosspoint solution. The VSC3308 is uniquely capable of addressing a wide array of routing, switching, and signal integrity issues across storage, blade server, video distribution, telecommunications, and Ethernet applications. Featuring an 8 × 8 non-blocking, multicasting switch core with ports running at any rate up to 11.5 Gbps, the VSC3308 architecture provides protocol-transparent operation, allowing each channel to run independently.

The VSC3308 supports a wide frequency range and virtually all data protocols. The VSC3308 incorporates Microsemi's fourth-generation input equalization and pre-emphasis I/O capability for the industry's highest speed and protocol requirements. The device can perform signal fanout, loopback, and protection switching. It can also regenerate signals severely compromised by transmission losses. Microsemi's equalization works independently of the data rate, providing highly effective compensation for deterministic jitter across a wide range of high-speed interconnect applications.

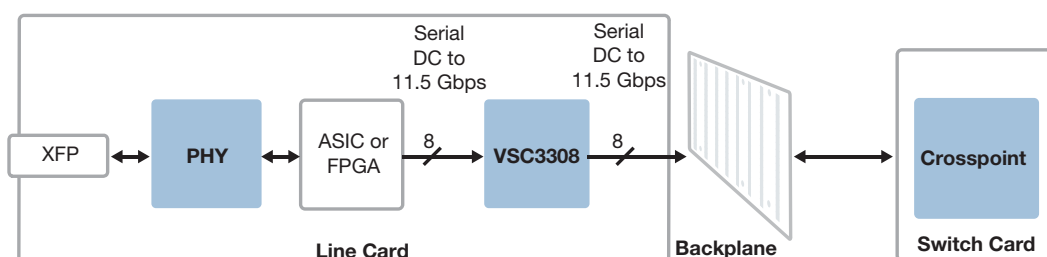
### Highlights

- DC to 11.5 Gbps operation
- 8 × 8 fully non-blocking switch capability
- Protocol-transparent operation
- Advanced EQ

### Applications

- Blade servers
- Storage servers
- Telecom
- Video distribution
- Test and Measurement equipment

**VSC3308 Line Card Application**



# VSC3308

## 11.5 Gbps 8 × 8 Crosspoint Switch

### Speed and Protocol Support

- 11.5 Gbps non-return-to-zero (NRZ) data bandwidth
- Protocol-transparent

### Architecture

- Fully non-blocking and multicasting switch core
- LOS detection and forwarding (supports out-of-band signaling)
- Fully asynchronous operation with <1 ns latency
- 8 × 8 switch core enables signal fanout, loopback, and protection switching

### Signal Integrity

- Multiple time-constant programmable input and output equalization
- Wide equalization adjustment range
- Input EQ of 26 dB at 11.5 Gbps
- 9 dB of pre-emphasis
- Embedded post-EQ eye opening monitor per channel

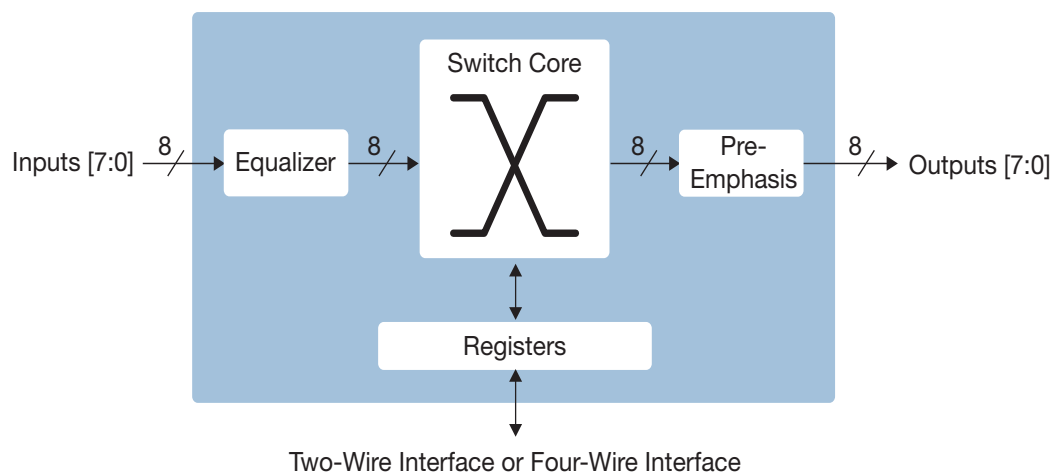
### Key Specifications

- 11.5 Gbps NRZ per channel data rate
- 2.5 V power supply
- 10 mm × 10 mm flip chip ball grid array package

### Related Products

Visit [www.microsemi.com](http://www.microsemi.com) for information about these related products:

- Crosspoint Switches
- Ethernet MACs
- Mux, Demux, and Transceivers
- Electronic Dispersion Compensation CDRs



**Microsemi Corporate Headquarters**  
 One Enterprise, Aliso Viejo, CA 92656 USA  
 Within the USA: +1 (800) 713-4113  
 Outside the USA: +1 (949) 380-6100  
 Sales: +1 (949) 380-6136  
 Fax: +1 (949) 215-4996  
 email: [sales.support@microsemi.com](mailto:sales.support@microsemi.com)  
[www.microsemi.com](http://www.microsemi.com)

Microsemi Corporation (Nasdaq: MSCC) offers a comprehensive portfolio of semiconductor and system solutions for communications, defense and security, aerospace, and industrial markets. Products include high-performance and radiation-hardened analog mixed-signal integrated circuits, FPGAs, SoCs, and ASICs; power management products; timing and synchronization devices and precise time solutions; voice processing devices; RF solutions; discrete components; enterprise storage and communications solutions, security technologies, and scalable anti-tamper products; Ethernet solutions; Power-over-Ethernet ICs and midspans; custom design capabilities and services. Microsemi is headquartered in Aliso Viejo, California, and has approximately 4,800 employees worldwide. Learn more at [www.microsemi.com](http://www.microsemi.com).